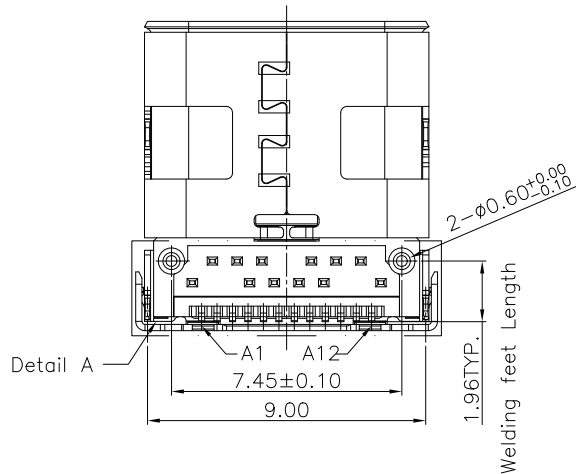
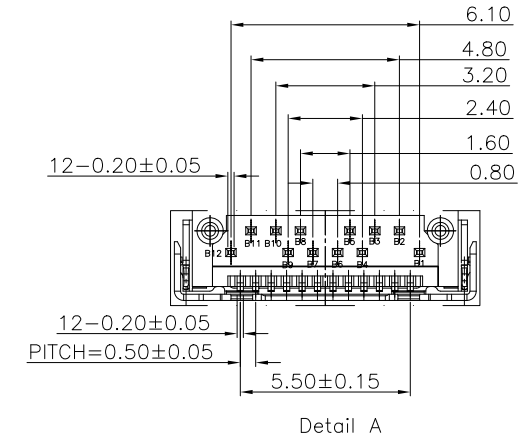
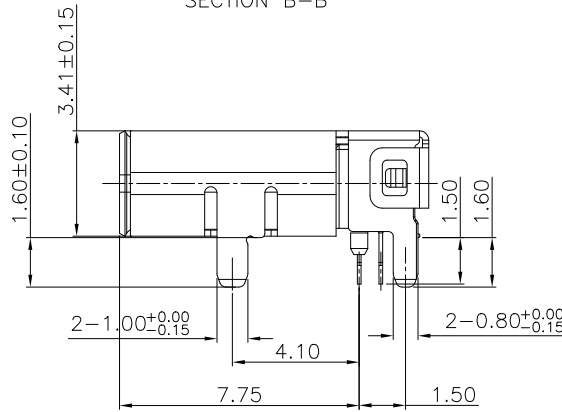
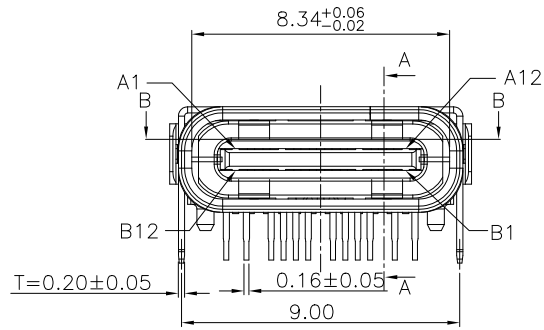
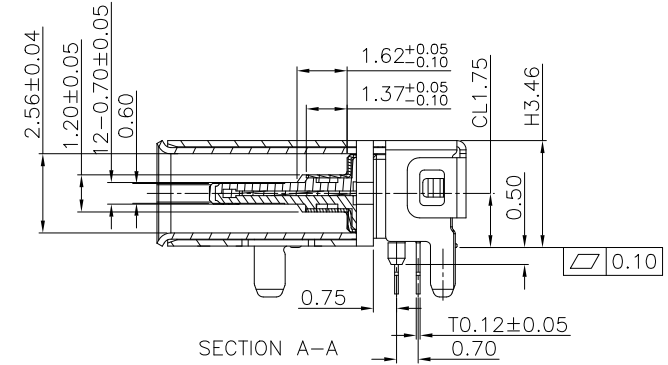
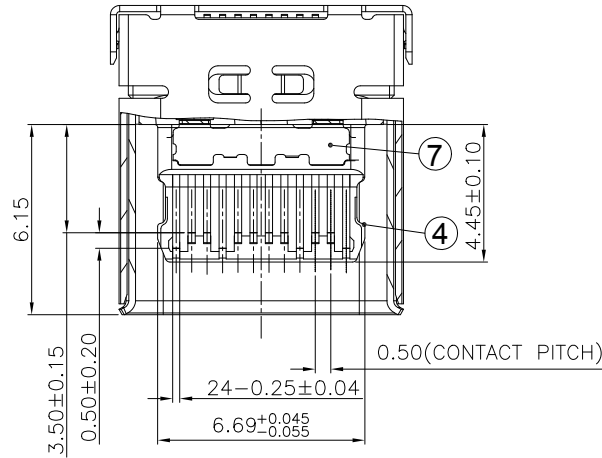
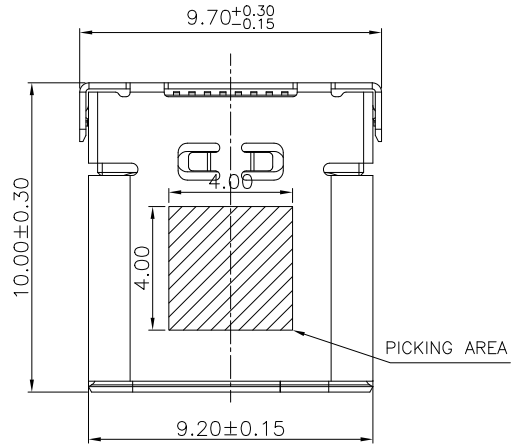


RoHS Compliant 

THIS DRAWING CONTAINS INFORMATION THAT IS PROPRIETARY TO ZDT TECHNOLOGY, AND SHOULD NOT BE USED WITHOUT WRITTEN PERMISSION

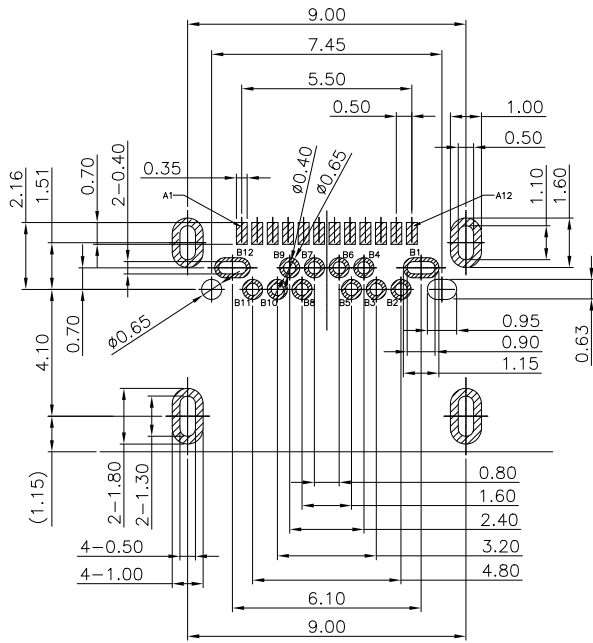
TID NO. 9111

REV	ECN No.	DATE	REMARK
A	NEW	2021.05.23	NEW RELEASE



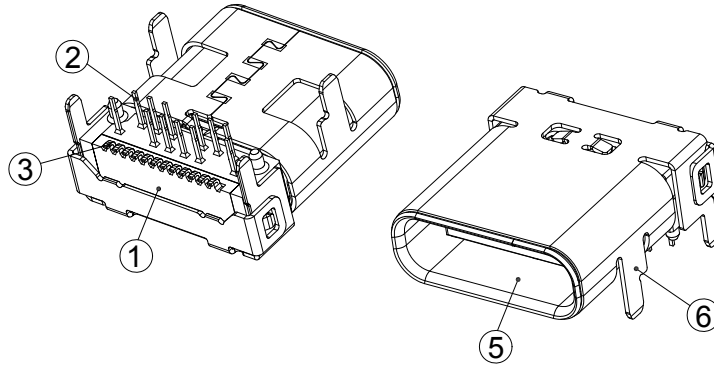
PART NO.: SEE THE PART NUMBER CODE		GOLDCONN TECHNOLOGIES COMPANY LIMITED		DRAWN BY SAM	DATE 2021.05.23
GENERAL TOLERANCES (UNLESS SPECIFIED)		TITLE USB 3.1 C TYPE REC. TOP CONNECTOR DOUBLE SHELL (CL=1.75 L=10.0mm)		CHECKED BY JAY	DATE 2021.05.23
QUALITY SYMBOL	0 ∇= 0	DWG.NO. CF028-24-C3	SHEET NO. 1 OF 2	APPROVED BY JACKY	DATE 2021.05.23
0 ∇= 0	0 ∇= 0	DIMENSION STYLE MM ONLY	DESIGN UNITS METRIC	SCALE 1:1	THIRD ANGLE PROJECTION
0 ∇= 0	0 ∇= 0	ANGULAR			

TID NO. 9111



RECOMMEND P.C.B LAYOUT (COMPONENT SIDE)

TOLERANCE FOR PCB LAYOUT IS ± 0.05
KEEP OUT AREA

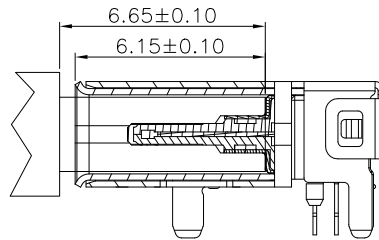


NOTE:

- Electrical Characteristics:
 - 1-1: Current Rating: 5A For Pin(A4,A9,B4,B9)
1.25A For Pin(B5)
0.25A For Others Pin
 - 1-2: VOLTAGE RATING:20V
 - 1-3: Insulation Resistance: 100MΩ Min.
 - 1-4: Contact Resistance:
VBUS & GND PINS AND OTHER PINS: 40mΩ/PIN MAX.
SHIELD:50mΩ/MAX.
SHIELD:LLCR MAX. CHANGE OF ALL PINS: 10mΩ.
 - 1-5: Dielectric Withstanding Voltage: 100V/AC 1Minute
- Mechanical Characteristics:
 - Insertion Force: 5~20N
 - Extraction Force: Initial: 8~20N
 - After durability: 6~20N
 - Durability :10000 Cycles
- Operating Temperature: -25°C TO +85°C
- MID PLATE, EMC PLATE, SHELL CONNECTED TOGETHER
- PART NUMBER CODE:(产品料号)
CF028-24 $\begin{matrix} X & X & XX & R-C3 \\ (1) & (2) & (3) & (4) \end{matrix}$
 - (1) HOUSING MATERIAL:
L:LCP
 - (2) HOUSING COLOR:
B:BLACK
 - (3) CONTACTS PLATED:
O2:半金锡3u"
 - (4) PACKING OPTIONS
R:TAPE & REEL

USB TYPE-C PIN ASSIGNMENTS

PIN NUMBER	SIGNAL NAME	PIN NUMBER	SIGNAL NAME
A1	GND	B12	GND
A2	SSTXp1	B11	SSRXp1
A3	SSTXn1	B10	SSRXn1
A4	VBUS	B9	VBUS
A5	CC1	B8	SBU2
A6	Dp1	B7	Dn2
A7	Dn1	B6	Dp2
A8	SBU1	B5	CC2
A9	VBUS	B4	VBUS
A10	SSRXn2	B3	SSTXn2
A11	SSRXp2	B2	SSTXp2
A12	GND	B1	GND



MATED CONDITION(REF.)

TYPE:

NO.	DESCRIPTION	MATERIAL	REMARKS	QTY
7	EMC PLATE	SUS301 T=0.10mm	CLEAR ONLY	2PCS
6	OUTER SHELL	SUS304 T=0.20mm	NICKEL 30u" MIN PLATING	1PCS
5	INNER SHELL	SUS304 T=0.20mm	NICKEL 30u" MIN PLATING	1PCS
4	SHIELDING PLATE	SUS301 T=0.15mm	CLEAR ONLY	1PCS
3	SMT CONTACT	C18150-H T=0.12mm	Ni 50u" MIN. UNDER PLATED OVER ALL. Au PLATED ON THE FUNCTIONAL AREA OF CONTACT. PLATING TH. OF THE SOLDER AREA	1SET
2	DIP CONTACT	C18150-H T=0.12mm	Ni 50u" MIN. UNDER PLATED OVER ALL. Au PLATED ON THE FUNCTIONAL AREA OF CONTACT. PLATING TH. OF THE SOLDER AREA	1SET
1	HOUSING	LCP UL94V-0	BLACK	1PCS

QUALITY SYMBOL 	PART NO.: SEE THE PART NUMBER CODE		GOLDCONN TECHNOLOGIES COMPANY LIMITED		DRAWN BY SAM		DATE 2021.05.23													
	GENERAL TOLERANCES (UNLESS SPECIFIED)		TITLE USB 3.1 C TYPE REC. TOP CONNECTOR DOUBLE SHELL (CL=1.75 L=10.0mm)		CHECKED BY JAY		DATE 2021.05.23													
	<table border="1"> <tr> <td>x.xxxx</td> <td>± ---</td> </tr> <tr> <td>x.xxx</td> <td>± 0.10</td> </tr> <tr> <td>x.xx</td> <td>± 0.25</td> </tr> <tr> <td>x.x</td> <td>± 0.30</td> </tr> <tr> <td>ANGULAR</td> <td>± --°</td> </tr> </table>		x.xxxx	± ---	x.xxx	± 0.10	x.xx	± 0.25	x.x	± 0.30	ANGULAR	± --°	DWG.NO. CF028-24-C3		SHEET NO. 2 OF 2		APPROVED BY JACKY		DATE 2021.05.23	
	x.xxxx	± ---																		
x.xxx	± 0.10																			
x.xx	± 0.25																			
x.x	± 0.30																			
ANGULAR	± --°																			
DIMENSION STYLE MM ONLY		DESIGN UNITS METRIC		SCALE 1:1		THIRD ANGLE PROJECTION														