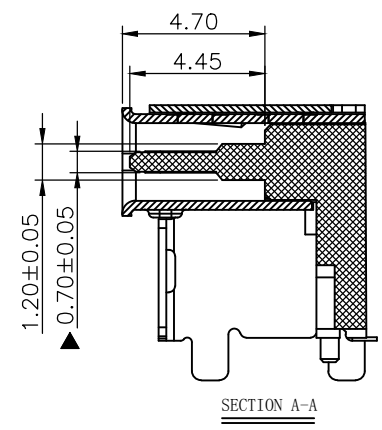
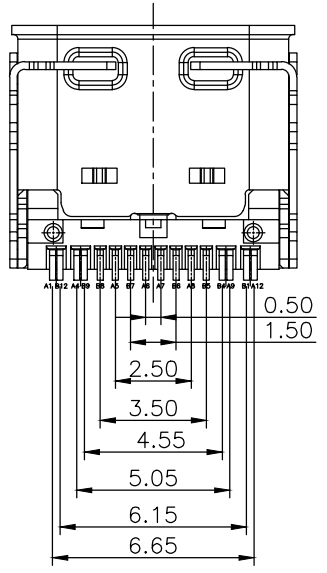
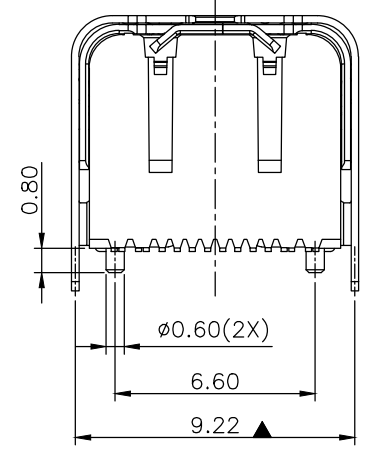
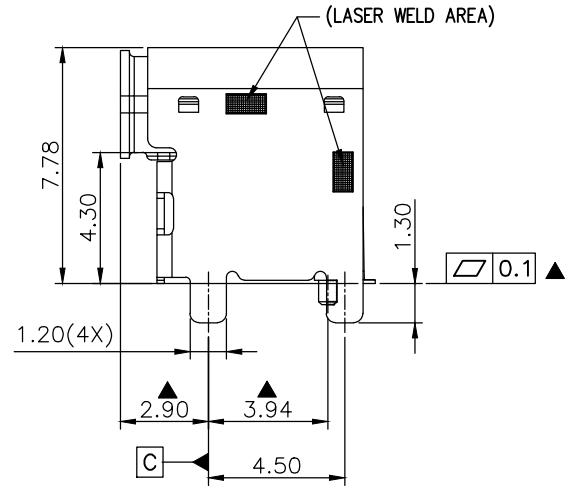
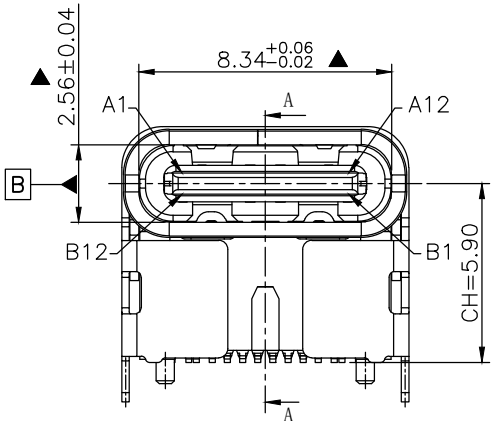
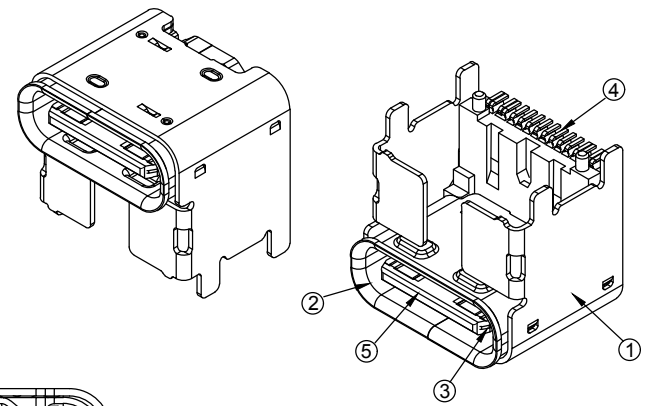
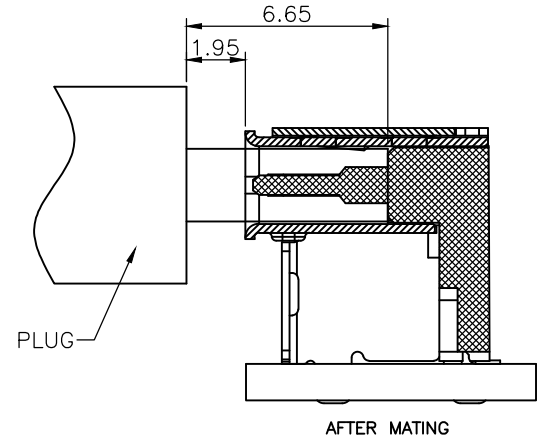
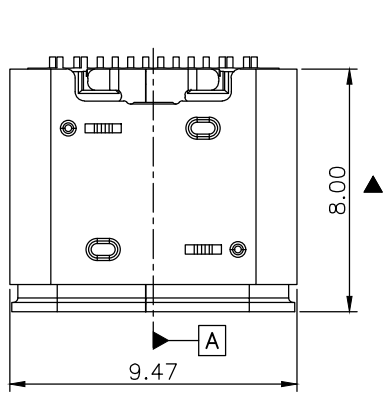


TID No. 11015

REV	ECN No.	DATE	REMARK
A	NEW	2015.05.10	NEW RELEASE
B	---	2019.10.21	修改外壳
C	ECN2103002	2021.03.24	修正图纸料号规格描述



PART NO.

NO	PART NO.	Material
1	CF042-16LB12R-C-02	BLACK,Contact Area: Au3u"Solder Tails:GF
2	CF042-16LB15R-C-02	BLACK,Contact Area: Au30u"Solder Tails:GF
3	CF042-16LN12R-C-02	Natural,Contact Area: Au30u"Solder Tails:GF

TABLE:

NO	PART	Q'TY	Material
1	INNER SHELL	1	STAINLESS STEEL 304, T=0.30mm,Ni 30u" MIN PLATED
2	OUTER SHELL	1	STAINLESS STEEL 304, T=0.25mm,Ni 30u" MIN PLATED
3	Mid Plate	1	STAINLESS STEEL 301, T=0.15 NO PLATING
4	CONTACT	16	COPPER ALLOY C18400,T=0.12mm,Au Plated On Vontact Area GF Plated On Solder Area;Nickel 50u"Min Underplating Over All.
5	HOUSING	1	LCP BLACK/Natural UL94 V-0

PART NO.: SEE THE PART NUMBER CODE

DRAWN BY: HuangXiaoHao Date: 2024.10.10

CHECKED BY: liuzongliang Date: 2024.10.10

APPROVED BY: Jacky Date: 2024.10.10

GENERAL TOLERANCES

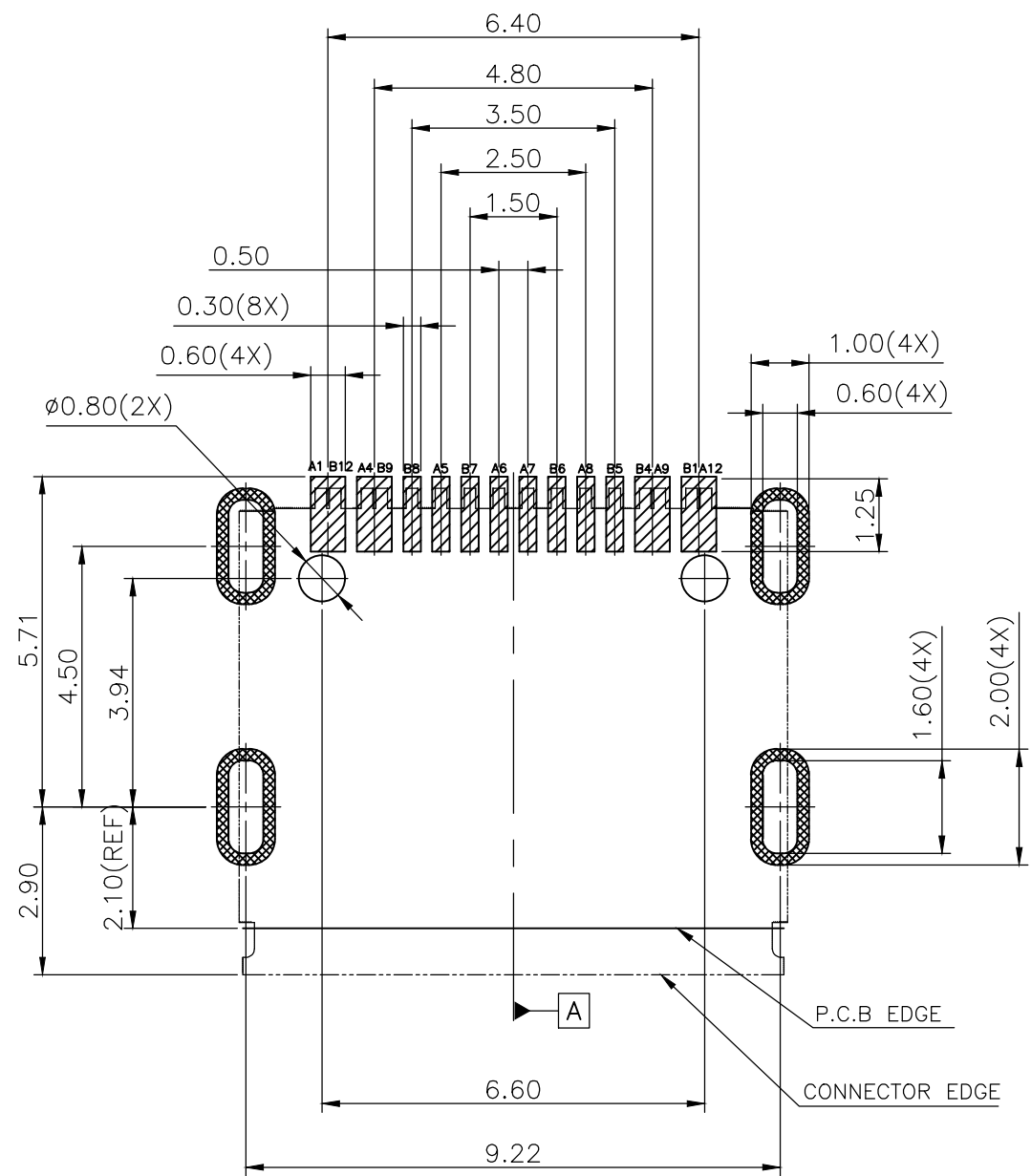
x.xxxx	± ---
x.xxx	± 0.10
x.xx	± 0.25
x.x	± 0.30
ANGULAR	± 3'

THIRD ANGLE PROJECTION DIMENSIONS SCALE 1:1 DRAWING A4 SHEET NO. 1 OF 2 DWG.NO. CF042-16-02

TITLE: USB TYPE-C RECEPTACLE 16PIN SMT CH5.9

GOLDCONN TECHNOLOGIES COMPANY LIMITED

REV	ECN No.	DATE	REMARK
A	NEW	2015.05.10	NEW RELEASE
B	---	2019.10.21	修改外壳
C	ECN2103002	2021.03.24	修正图纸料号规格描述



RECOMMEND P.C.B LAYOUT(TOW VIEW)
 TOLERANCE FOR PCB LAYOUT IS ±0.05
 PCB THICKNESS:1.80MM
 (SCALE:2:1)

NOTE:
 1.ELECTRICAL PERFORMANCE,
 1-1. CURRENT RATING:5A
 1-2. VOLTAGE RATING:5V/20V DC/AC (RMS. MAX)
 1-3. Contact Resistance: 40mΩ max initial.
 50mΩ max after test
 1-4.INSULATION RESISTANCE: 100MΩ MIN
 1-5.DIELECTRIC WITHSTAND VOLTAGE,AC 100V FOR 1 MINUTE.
 2.MECHANICAL PERFORMANCE,
 2-1.INSERTION FORCE: 5~20N.
 2-2.EXTRACTION FORCE: 8~20N.
 2-3.DURABILITY: 10000 CYCLES.
 3.ENVIRONMENTAL PERFORMANCE:
 OPERATING TEMPERATURE: -25°C~+85°C.
 4.IR REFLOW:
 THE PEAK TEMPERATURE ON THE BOARD SHALL
 BE MAINTAINED FOR 10 SECONDS AT 260°C.
 5.COMPLIANCE WITH ROHS REQUIREMENTS.
 6.SALT SPRAY:48H
 7. With "▲" for the key control size

PART NUMBER CODE:
 CF042-16 L B XX R -C-02
 ①②③④

- ① HOUSING MATERIAL:
L:LCP
- ② HOUSING COLOR:
B:BLACK
N:Natural
- ③ CONTACTS PLATED:
12:接触区镀金3u"焊接区G/F
15:接触区镀金30u"焊接区G/F
- ④ PACKING OPTIONS
R:TAPE & REEL

PIN DEFINITION:

PIN No.	A1	A2	A3	A4	A5	A6	A7	A8	A9	A10	A11	A12
SIGNAL NAME	GND			VBus	CC1	D+	D-	SBU1	VBus			GND

PIN No.	B12	B11	B10	B9	B8	B7	B6	B5	B4	B3	B2	B1
SIGNAL NAME	GND			VBus	SBU2	D-	D+	CC2	VBus			GND

PART NO.:	DRAWN BY:	Date:	GOLDCONN TECHNOLOGIES COMPANY LIMITED
SEE THE PART NUMBER CODE	HuangXiaoHao	2024.10.10	
GENERAL TOLERANCES	CHECKED BY:	Date:	TITLE
x.xxxx ± ---	liuzongliang	2024.10.10	
x.xxx ± 0.10	APPROVED BY:	Date:	USB TYPE-C RECEPTACLE 16PIN SMT CH5.9
x.xx ± 0.25	Jacky	2024.10.10	
x.x ± 0.30	THIRD ANGLE PROJECTION	DIMENSIONS	SCALE
ANGULAR ± 3'	mm	1:1	DRAWING SHEET NO. DWG.NO.
			A4 2 OF 2 CF042-16-02