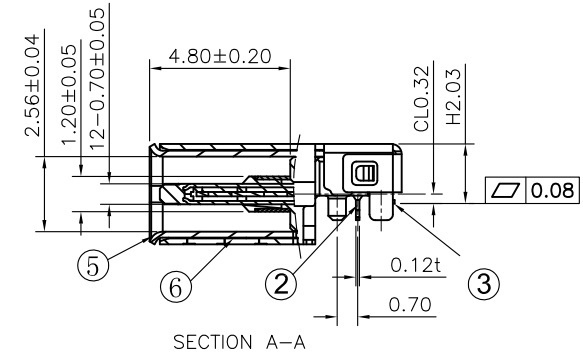
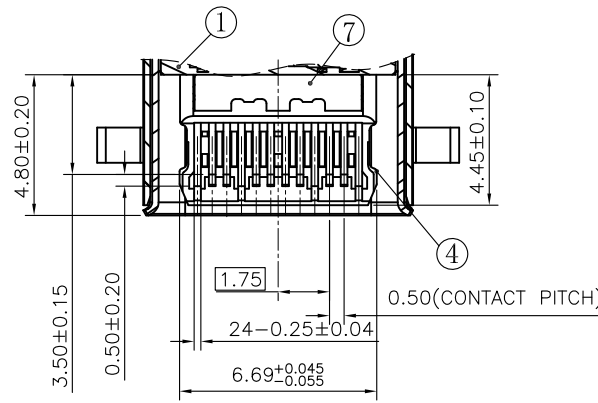
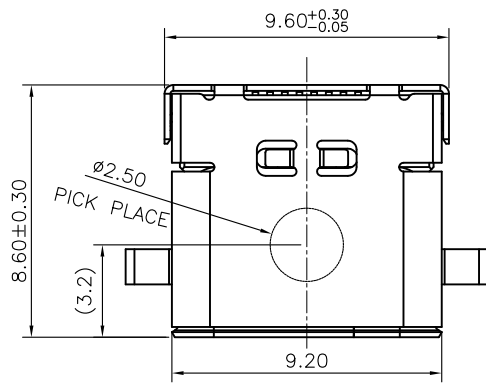


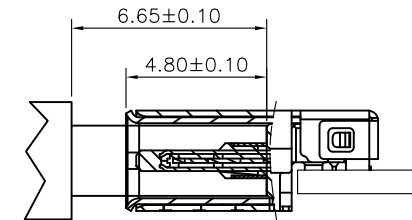
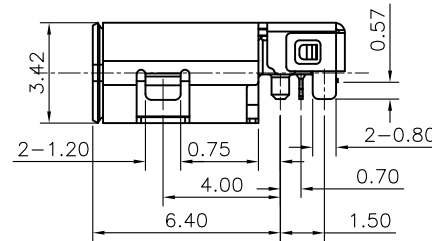
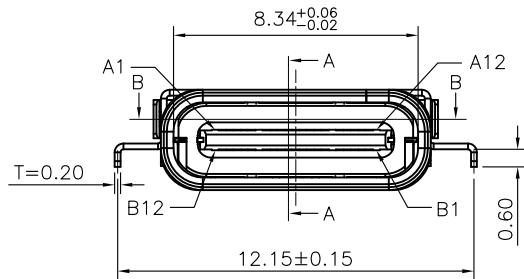
TID NO. 7686

REV	ECN No.	DATE	REMARK
A	NEW	2021.05.23	NEW RELEASE

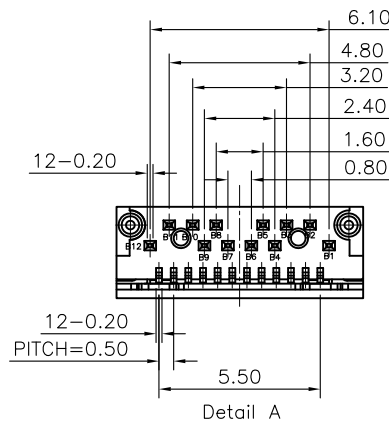
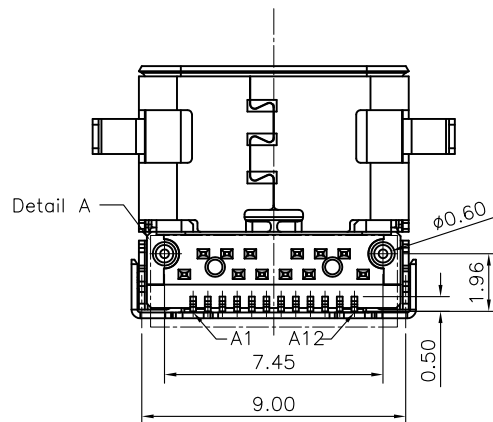


SECTION B-B

SECTION A-A



MATED CONDITION (REF.)



Detail A

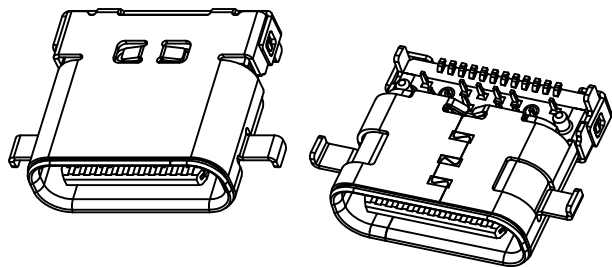
TYPE:

NO.	DESCRIPTION	MATERIAL	REMARKS	QTY
7	EMC PLATE	SUS301 T=0.10mm	CLEAR ONLY	2PCS
6	OUTER SHELL	SUS304 T=0.20mm	NICKEL 30u" MIN PLATING	2PCS
5	INNER SHELL	SUS304 T=0.20mm	NICKEL 30u" MIN PLATING	1PCS
4	SHIELDING PLATE	SUS301 T=0.15mm	CLEAR ONLY	1PCS
3	SMT CONTACT	C18150-H T=0.12mm	NI 50u" MIN. UNDER PLATED OVER ALL Au PLATED ON THE FUNCTIONAL AREA OF CONTACT. PLATING Tm OF THE SOLDER AREA	1SET
2	DIP CONTACT	C18150-H T=0.12mm		
1	HOUSING	LCP UL94V-0	BLACK	1PCS

GENERAL TOLERANCES (UNLESS SPECIFIED)		DRAWN BY: HuangXiaoHao Date: 2021.05.23		GOLDCONN TECHNOLOGIES COMPANY LIMITED		
X.XXX	±0.10	CHECKED BY: liuzongliang Date: 2021.05.23	TITLE TYPE C REC.DOUBLE SHELL SINK CLO.32 L=8.60			
X.XX	±0.25	APPROVED BY: Jacky Date: 2021.05.23				
X.X	±0.30					
ANGULAR	±3°					
THIRD ANGLE PROJECTION	UNT	SCALE	DRAWING	SHEET NO.	DWG NO.	
	mm	1:1	A4	1 OF 2	CF051-24-C3	

TID NO. 7686

REV	ECN No.	DATE	REMARK
A	NEW	2021.05.23	NEW RELEASE



NOTE:
 1.ELECTRICAL PERFORMANCE,
 1-1. CURRENT RATING:5 AMPS. FOR TOTAL VBUS/GND PINS;
 1.25AMPS FOR CC PIN,
 0.25 AMPS. FOR ALL OTHER CONTACT.
 1-2. VOLTAGE RATING:20V DC/AC (RMS. MAX)
 1-3. CONTACT RESISTANCE: 40MΩ MAX INITIAL.
 50MΩ MAX AFTER TEST
 1-4.DIELECTRIC WITHSTANDING VOLTAGE: 100V AC
 1-5.INSULATION RESISTANCE:100MΩ MIN
 2.MECHANICAL PERFORMANCE,
 2-1.INSERTION FORCE: 5~20N.
 2-2.EXTRACTION FORCE: 8~20N.
 2-3.DURABILITY: 10000 CYCLES.
 3.ENVIRONMENTAL PERFORMANCE:
 OPERATING TEMPERATURE: -25°C~+85°C.
 4.IR REFLOW:
 THE PEAK TEMPERATURE ON THE BOARD SHALL
 BE MAINTAINED FOR 10 SECONDS AT 260°C.
 5.COMPLIANCE WITH ROHS REQUIREMENTS.

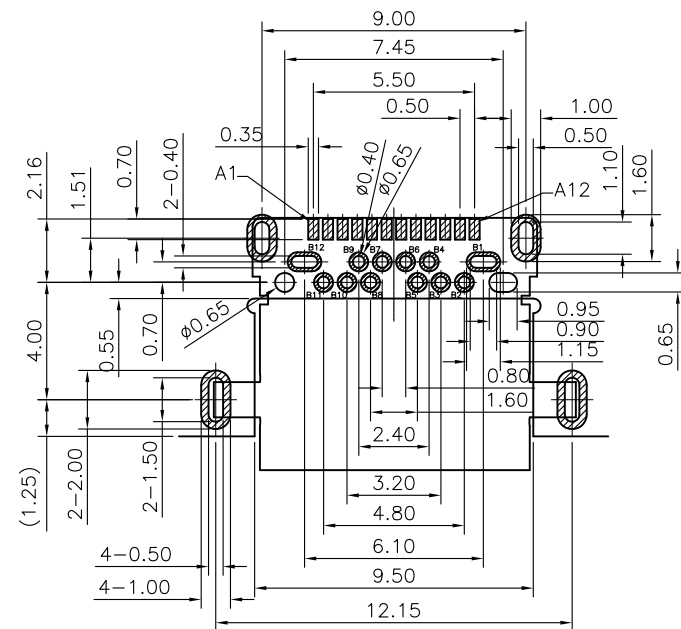
Pin Definition:

PIN No.	A1	A2	A3	A4	A5	A6	A7	A8	A9	A10	A11	A12
SIGNAL NAME	GND	TX1+	TX1-	VBus	CC1	D+	D-	SBU1	VBus	RX2-	RX2+	GND
PIN No.	B12	B11	B10	B9	B8	B7	B6	B5	B4	B3	B2	B1
SIGNAL NAME	GND	RX1+	RX1-	VBus	SBU2	D-	D+	CC2	VBus	TX2-	TX2+	GND

PART NUMBER CODE:

CF051-24 L B 02 R-C3
 ① ② ③ ④

- ① HOUSING MATERIAL:
L:LCP
- ② HOUSING COLOR:
B:BLACK
- ③ CONTACTS PLATED:
02:半金锡3u"
- ④ PACKING OPTIONS
R:TAPE & REEL



RECOMMENDED P.C.B. LAYOUT
 TOLERANCE UNSPECIFIED ±0.05mm
 (TOP VIEW)

GENERAL TOLERANCES (UNLESS SPECIFIED)	DRAWN BY: HuangXiaoHao	Date: 2021.05.23	GOLDCONN TECHNOLOGIES COMPANY LIMITED					
X.XXX ±0.10	CHECKED BY: liuzongliang	Date: 2021.05.23	TITLE TYPE C REC.DOUBLE SHELL SINK CLO.32 L=8.60					
X.XX ±0.25	APPROVED BY: Jacky	Date: 2021.05.23						
X.X ±0.30			THIRD ANGLE PROJECTION	UNT mm	SCALE 1:1	DRAWING A4	SHEET NO. 2 OF 2	DWG NO. CF051-24-C3
ANGULAR ±3°								