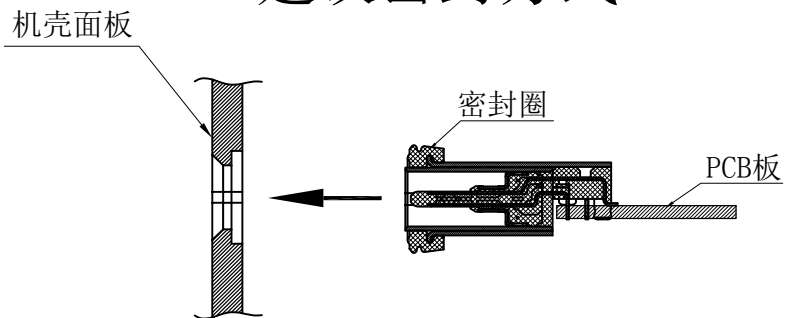


RoHS Compliant

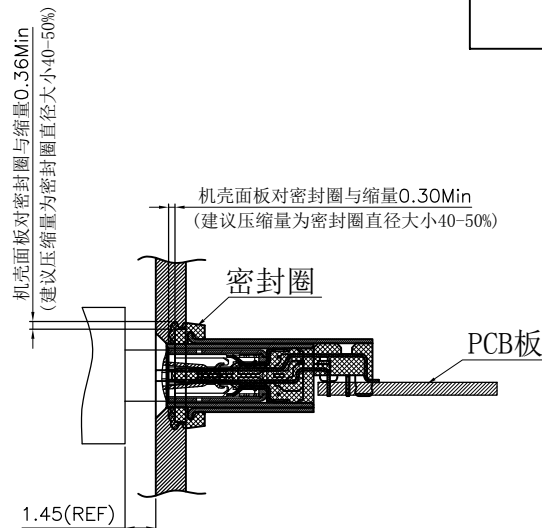


REV	ECN No.	DATE	REMARK
A	NEW	2021.07.25	NEW RELEASE

建议密封方式

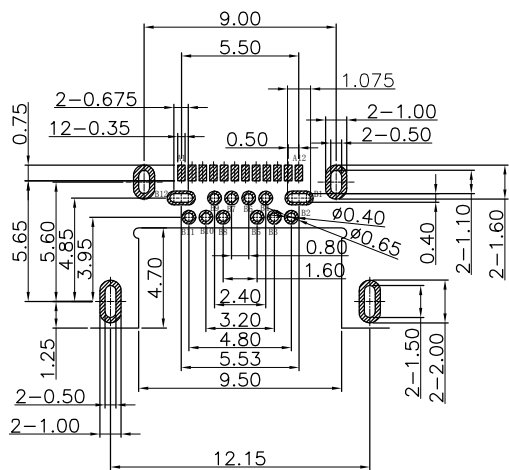


前后组装方式

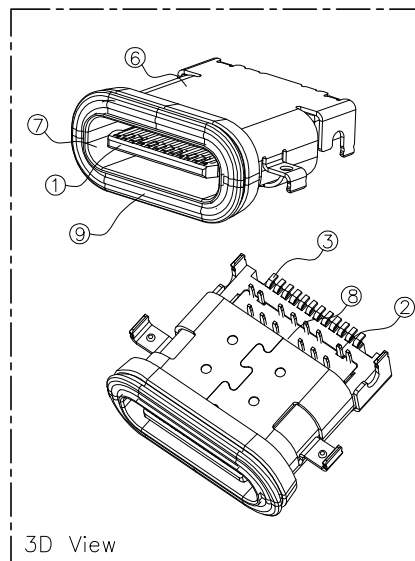


组装面板后公母头对插示意图

CUSTOMER DRAWING



RECOMMENDED P.C.B LAYOUT(Both sides are sample)
Tolerance:±0.05,Thickness=0.60mm



3D View

Pin	Signal Name	Mating Sequence	Pin	Signal Name	Mating Sequence
A1	GND	First	B12	GND	First
A2	SSTXp1	Second	B11	SSRXp1	Second
A3	SSTXn1	Second	B10	SSRXn1	Second
A4	V _{BUS}	First	B9	V _{BUS}	First
A5	CC1	Second	B8	SBU2	Second
A6	Dp1	Second	B7	Dn2	Second
A7	Dn1	Second	B6	Dp2	Second
A8	SBU1	Second	B5	CC2	Second
A9	V _{BUS}	First	B4	V _{BUS}	First
A10	SSRXn2	Second	B3	SSTXn2	Second
A11	SSRXp2	Second	B2	SSTXp2	Second
A12	GND	First	B1	GND	First
SHELL		GND	SHELL		GND

PART NO.:
SEE THE PART NUMBER CODE

GOLDCONN TECHNOLOGIES COMPANY LIMITED

DRAWN BY: SAM
DATE: 2021.07.25

QUALITY SYMBOL	GENERAL TOLERANCES (UNLESS SPECIFIED)	TITLE	
	x.xxxx	± ---	USB TYPE CF WATERPROOF CL=0.30 沉板1.40mm DIP TYPE
	x.xxx	± 0.10	
	x.xx	± 0.25	
	x.x	± 0.30	
ANGULAR	± ---°		

DWG.NO.	CF053-24-A4	SHEET NO.	2 OF 3
DIMENSION STYLE	MM ONLY	DESIGN UNITS	METRIC
SCALE		1:1	

CHECKED BY: JAY
DATE: 2021.07.25

APPROVED BY: JACKY
DATE: 2021.07.25



frame size: A4

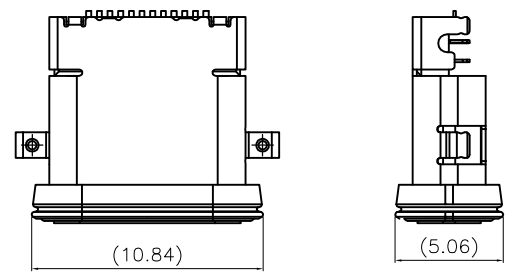
RoHS Compliant

REV	ECN No.	DATE	REMARK
A	NEW	2021.07.25	NEW RELEASE

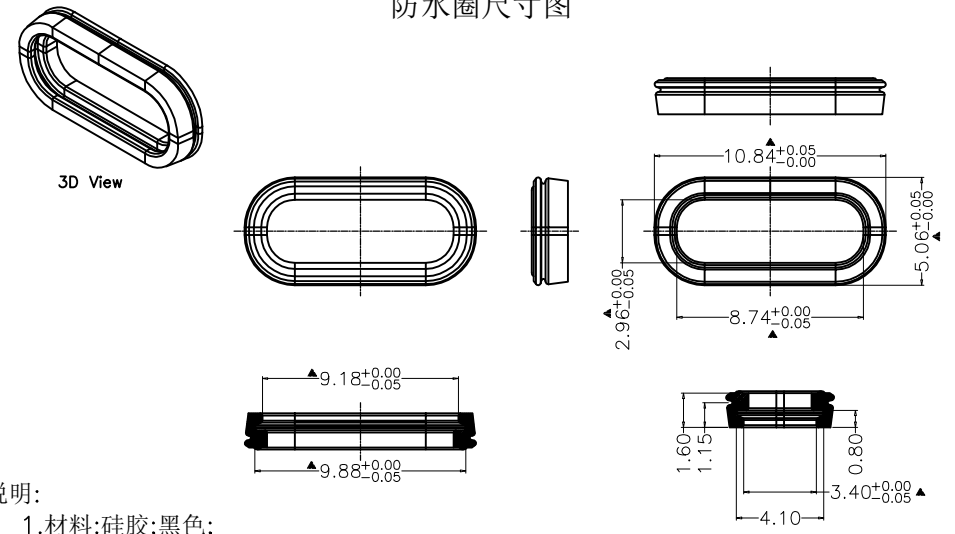


组装防水圈款示意图

料号:CF053-24S L B XX R 1-A-01

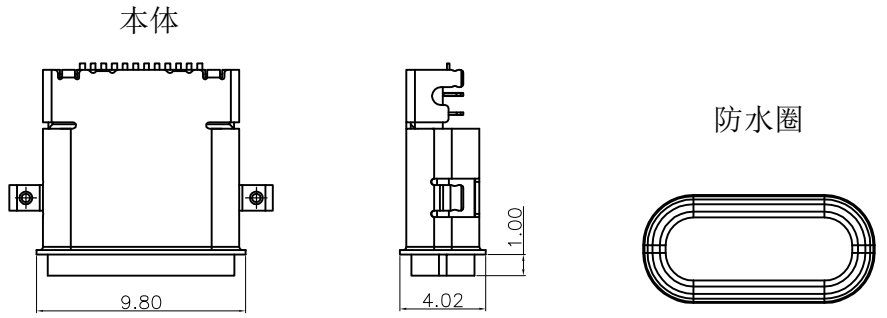


防水圈尺寸图



不组装防水圈款示意图

料号: CF053-24S L B XX R -A -01



- 说明:
- 1.材料:硅胶;黑色;
 - 2.毛边最大0.03mm;
 - 3:表面没有模痕;油渍;
 - 4.环保要求:符合RoHs环保要求.

QUALITY SYMBOL 0 Δ=0 ANGULAR	PART NO.: SEE THE PART NUMBER CODE		GOLDCONN TECHNOLOGIES COMPANY LIMITED		DRAWN BY SAM	DATE 2021.07.25
	GENERAL TOLERANCES (UNLESS SPECIFIED)		TITLE USB TYPE CF WATERPROOF CL=0.30 沉板1.40mm DIP TYPE		CHECKED BY JAY	DATE 2021.07.25
	x,xxxx	± ---	DWG.NO. CF053-24-A4	SHEET NO. 3 OF 3	APPROVED BY JACKY	DATE 2021.07.25
	x,xxx	± 0.10			THIRD ANGLE PROJECTION	
x,xx	± 0.25	DIMENSION STYLE MM ONLY	DESIGN UNITS METRIC	SCALE 1:1		
x,x	± 0.30					
	± ---*					