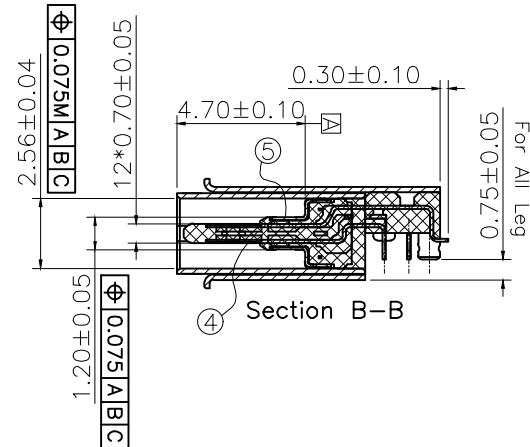
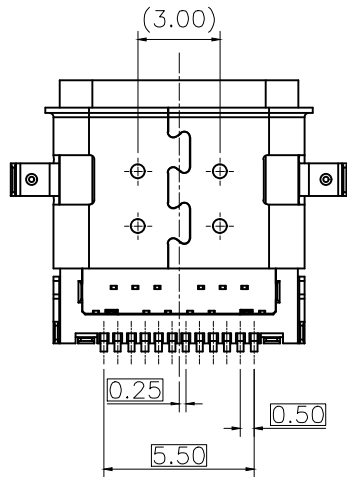
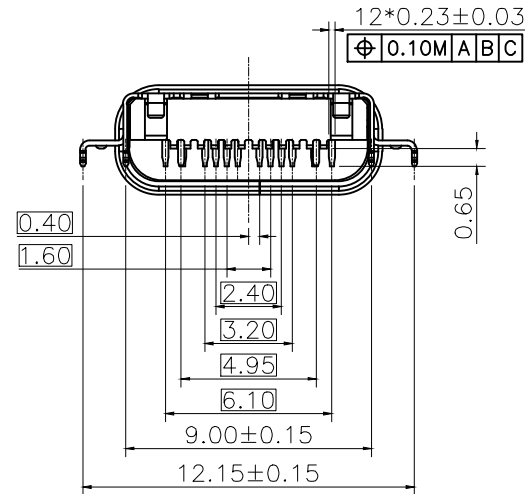
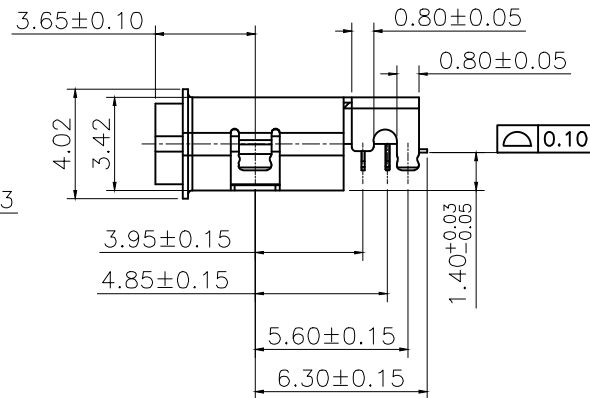
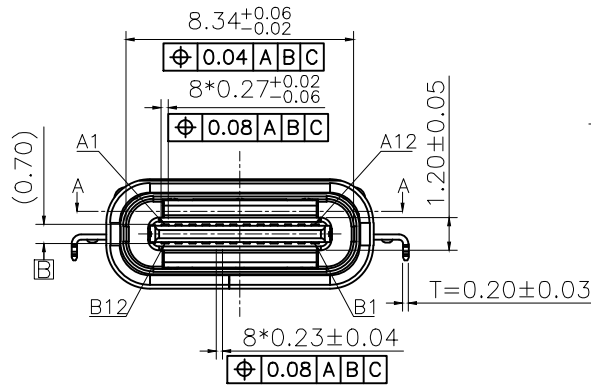
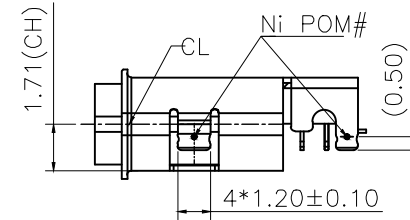
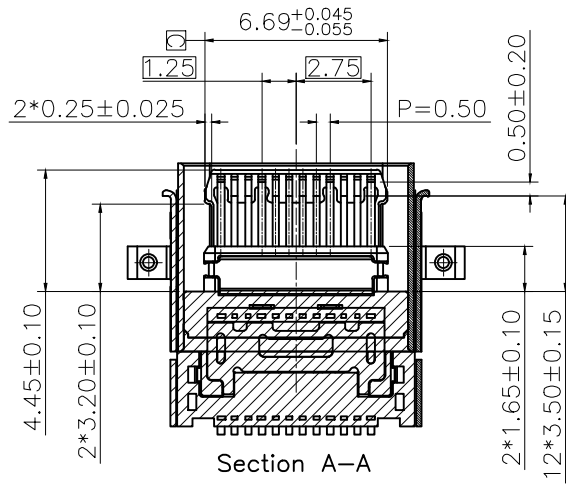
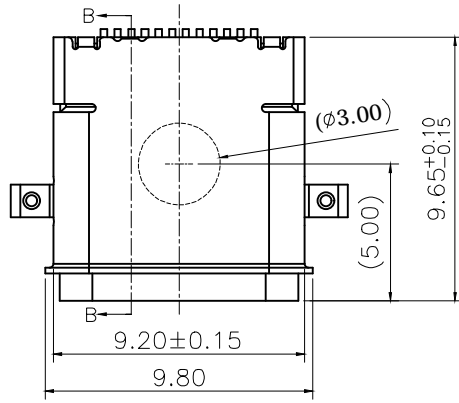




REV	ECN No.	DATE	REMARK
C	---	2024.04.16	整理图纸
D	---	2025.02.11	更换图框



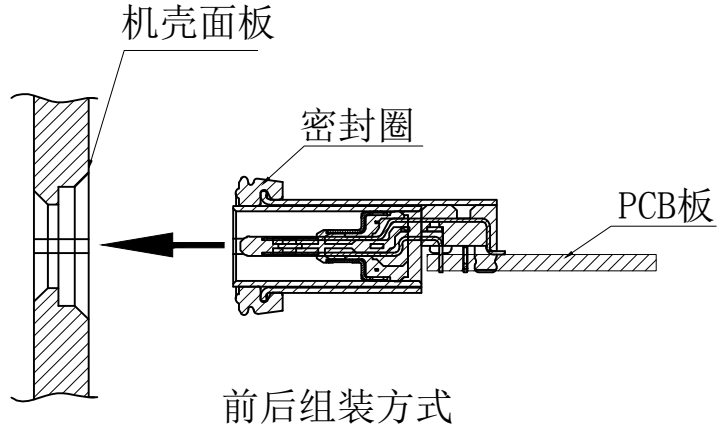
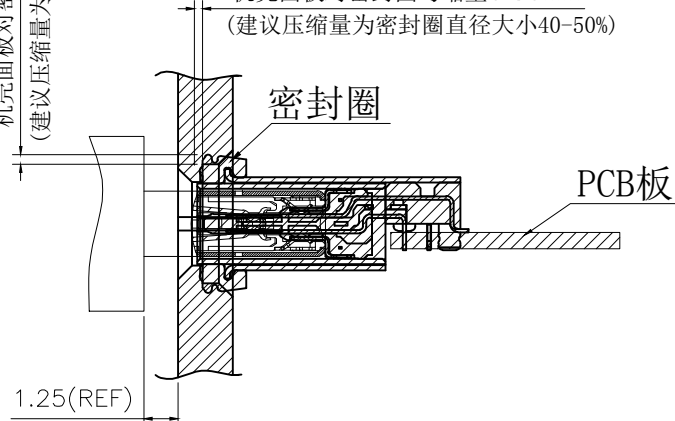
GENERAL TOLERANCES (UNLESS SPECIFIED)		DRAWN BY: HuangXiaoHao	Date: 2025.02.11	GOLDCONN TECHNOLOGIES COMPANY LIMITED	
X.XXX	±0.10	CHECKED BY: liuzongliang	Date: 2025.02.11	TITLE: USB TYPE-C FEMALE 24PIN WATERPROOF MID-MOUNT 1.40mm CL=0.30 DIP TYPE	
X.XX	±0.25	APPROVED BY: Jacky	Date: 2025.02.11	PART NO. SEE THE PART NUMBER CODE	DWG NO. CF053-24-A4
X.X	±0.30	THIRD ANGLE PROJECTION		SHEET NO. 1 OF 4	REV. A
ANGULAR	±3'	UNT mm	SCALE 1:1	DRAWING A4	



REV	ECN No.	DATE	REMARK
C	---	2024.04.16	整理图纸
D	---	2025.02.11	更换图框

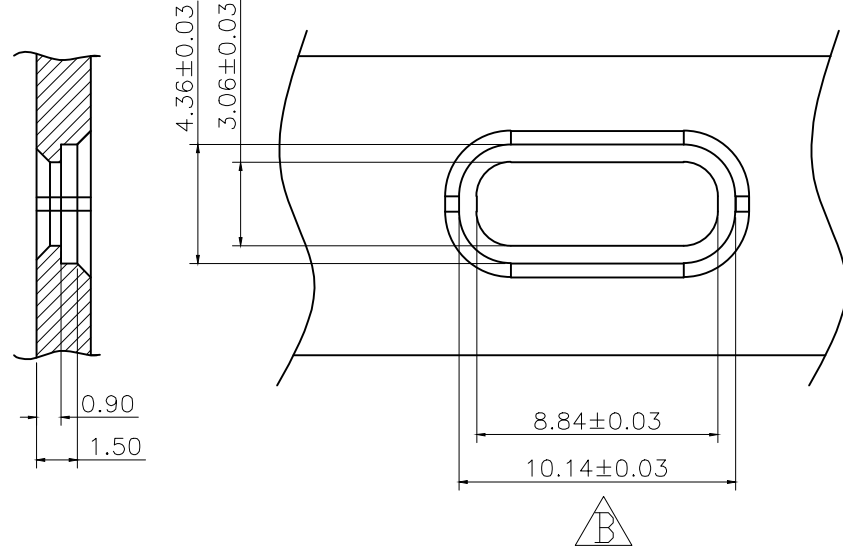
机壳面板对密封圈与缩量0.35Min  
(建议压缩量为密封圈直径大小40-50%)

机壳面板对密封圈与缩量0.30Min  
(建议压缩量为密封圈直径大小40-50%)



组装面板后公母头对插示意图

### 建议机壳开孔尺寸



GENERAL TOLERANCES (UNLESS SPECIFIED)		DRAWN BY: HuangXiaoHao Date: 2025.02.11		GOLDCONN TECHNOLOGIES COMPANY LIMITED	
X.XXX	±0.10	CHECKED BY: liuzongliang Date: 2025.02.11		TITLE USB TYPE-C FEMALE 24PIN WATERPROOF MID-MOUNT 1.40mm CL=0.30 DIP TYPE	
X.XX	±0.25	APPROVED BY: Jacky Date: 2025.02.11		PART NO. SEE THE PART NUMBER CODE	
X.X	±0.30	THIRD ANGLE PROJECTION		DWG NO. CF053-24-A4	
ANGULAR	±3'	UNT mm	SCALE 1:1	DRAWING A4	SHEET NO. 4 OF 4
				REV. A	



REV	ECN No.	DATE	REMARK
C	---	2024.04.16	整理图纸
D	---	2025.02.11	更换图框

NOTE:

- ELECTRICAL PERFORMANCE,
  - CURRENT RATING:5 AMPS. FOR TOTAL VBUS/GND PINS;  
1.25AMPS FOR CC PIN,  
0.25 AMPS. FOR ALL OTHER CONTACT.
  - VOLTAGE RATING:20V DC/AC (RMS. MAX)
  - LLCR:.  
VBUS & GND PINS AND OTHER PINS: 40MΩ/PIN MAX.  
SHIELD:50MΩ/MAX.  
LLCR MAX. CHANGE OF ALL PINS: 10MΩ.
  - INSULATION RESISTANCE: 100MΩ MIN
  - DIELECTRIC WITHSTAND VOLTAGE,AC 100V FOR 1 MINUTE.
- MECHANICAL PERFORMANCE,
  - INSERTION FORCE: 5~20N.
  - EXTRACTION FORCE: 8~20N.
  - DURABILITY: 10000 CYCLES.
- ENVIRONMENTAL PERFORMANCE:  
OPERATING TEMPERATURE: -40°C~+85°C.
- IR REFLOW:  
THE PEAK TEMPERATURE ON THE BOARD SHALL BE MAINTAINED FOR 10 SECONDS AT 260°C.
- COMPLIANCE WITH ROHS &HF REQUIREMENTS.
- SALT SPRAY:48H
- Waterproof Level:IPX7 1.0M@30MINUTES.

TID No. 10992

PART NUMBER CODE:  
CF053-24S L B XX R X - A - A4

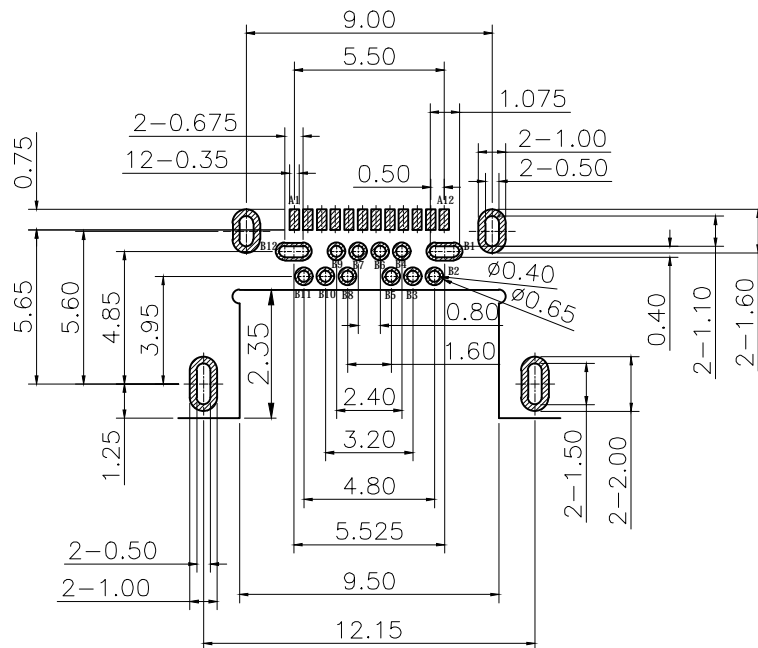
① ② ③

① HOUSING COLOR:  
B=BLACK

③ 防水圈型态:  
无此码=不组装防水圈,  
另单独附防水圈

② CONTACTS PLATED:  
14=Contact Area: Au 15u"  
Solder Tails:GF

1=组装防水圈



RECOMMENDED P.C.B LAYOUT(Both sides are sample)

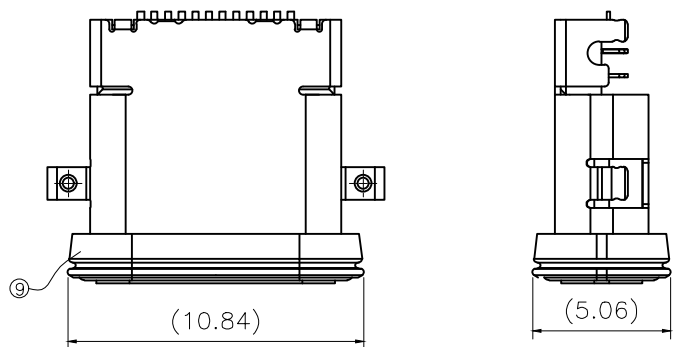
Tolerance:±0.05,Thickness=0.60mm

Pin Definition:												
PIN No.	A1	A2	A3	A4	A5	A6	A7	A8	A9	A10	A11	A12
SIGNAL NAME	GND	TX1+	TX1-	VBUS	CC1	D+	D-	SBU1	VBUS	RX2-	RX2+	GND
PIN No.	B12	B11	B10	B9	B8	B7	B6	B5	B4	B3	B2	B1
SIGNAL NAME	GND	RX1+	RX1-	VBUS	SBU2	D-	D+	CC2	VBUS	TX2-	TX2+	GND

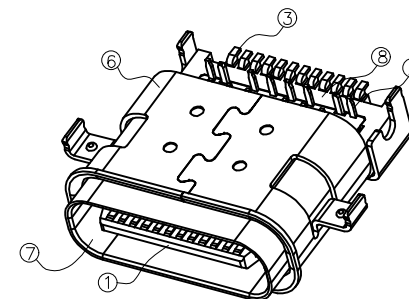
GENERAL TOLERANCES (UNLESS SPECIFIED)	DRAWN BY: HuangXiaoHao	Date: 2025.02.11	GOLDCONN TECHNOLOGIES COMPANY LIMITED	
X.XXX ±0.10	CHECKED BY: liuzongliang	Date: 2025.02.11	TITLE USB TYPE-C FEMALE 24PIN WATERPROOF MID-MOUNT 1.40mm CL=0.30 DIP TYPE	
X.XX ±0.25	APPROVED BY: Jacky	Date: 2025.02.11	PART NO. SEE THE PART NUMBER CODE	DWG NO. CF053-24-A4
X.X ±0.30	ANGULAR ±3'	THIRD ANGLE PROJECTION	UNT mm	SCALE 1:1
DRAWING A4		SHEET NO. 3 OF 4	REV. A	



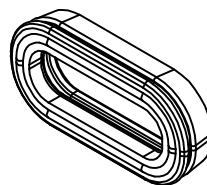
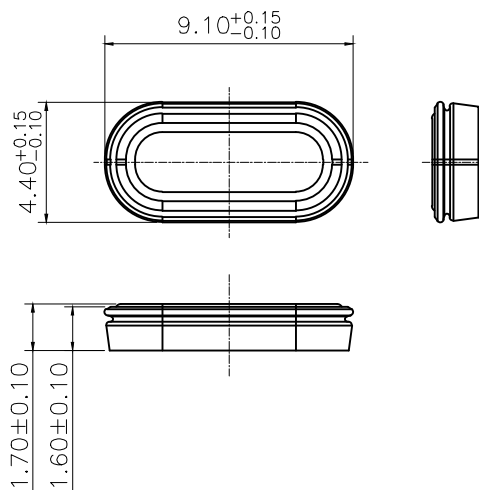
REV	ECN No.	DATE	REMARK
C	---	2024.04.16	整理图纸
D	---	2025.02.11	更换图框



组装防水圈示意图(客户上板后再组装)



防水圈尺寸图



3D View

说明:

- 1.材料:硅胶;黑色;
- 2.毛边最大0.03mm;
- 3.表面没有模痕;油渍;
- 4.环保要求:符合RoHs环保要求.

TABLE:

NO.	PART NAME	QTY	MATERIAL	DESCRIPTION	REMARK
⑨	Waterproof Ring	1	硅胶	BLACK;	
⑧	GLUE WATER	1	EPOXY	BLACK;	
⑦	Shell-2	1	Stainless steel SUS304	50u*Ni Min.	T=0.20mm
⑥	Shell-1	1	Stainless steel SUS304	50u*Ni Min.	T=0.20mm
⑤	GND PLATE	1	Stainless steel SUS301	No Plating	T=0.10mm
④	MID PLATE	1	Stainless steel SUS301		T=0.15mm
③	Terminal-B	12	铜镍硅合金 C18400	Au/50u*Ni Min.	T=0.12mm
②	Terminal-A	12			T=0.12mm
①	Housing	1	HIGH TEMP PA9T	Black	

GENERAL TOLERANCES (UNLESS SPECIFIED)		DRAWN BY: Date: HuangXiaoHao 2025.02.11		GOLDCONN TECHNOLOGIES COMPANY LIMITED	
X.XXX	±0.10	CHECKED BY: liuzongliang	Date: 2025.02.11	TITLE	
X.XX	±0.25	APPROVED BY: Jacky Date: 2025.02.11		USB TYPE-C FEMALE 24PIN WATERPROOF MID-MOUNT 1.40mm CL=0.30 DIP TYPE	
X.X	±0.30	THIRD ANGLE PROJECTION		PART NO. SEE THE PART NUMBER CODE	DWG NO. CF053-24-A4
ANGULAR	±3'	UNT	SCALE 1:1	SHEET NO. 2 OF 4	REV. A