

RoHS Compliant

REV	ECN No.	DATE	REMARK
A	NEW	2015.05.10	NEW RELEASE
B	ECN2003002	2020.03.12	修改图纸与实物相符

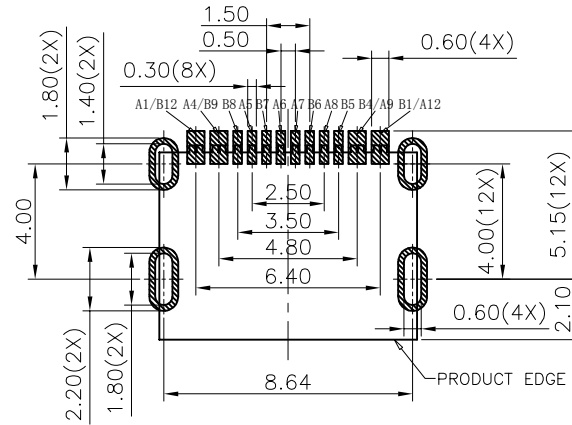
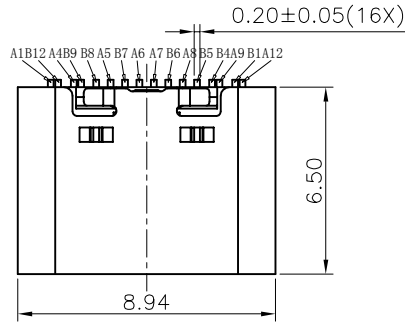
NOTE:

- MATERIAL SPECIFICATION:
 - HOUSING: HIGH TEMPERATURE RESISTANT PLASTIC ,UL94 V-0.
 - CONTACTS: COPPER ALLOY
 - MID PLATE: STAINLESS STEEL SUS301
 - FRONT SHELL: STAINLESS STEEL SUS304
- PLATING SPECIFICATION:
 - CONTACTS:
 - Ni 50u" MIN. UNDER PLATED OVER ALL.
 - Au PLATED ON THE FUNCTIONAL AREA OF CONTACT. (GOLD PLATING THICKNESS FOLLOW THE P/N)
 - FRONT SHELL:
 - Ni 30u" MIN. UNDER PLATED OVER ALL.
 - MID PLATE:
 - CLEAR ONLY
- MECHANICAL PERFORMANCE,
 - INSERTION FORCE: 0.5~2.0kgf.
 - REMOVAL FORCE: 0.8kgf~2.0kgf.
 - DURABILITY: 10000 CYCLES.
- ELECTRICAL PERFORMANCE,
 - CURRENT RATING: 5.0A
VOLTAGE RATING: 5.0V
 - LLCR:
 - VBUS & GND PINS AND OTHER PINS: 40mΩ/PIN MAX.
 - SHIELD: 50mΩ/MAX.
 - LLCR MAX. CHANGE OF ALL PINS: 10mΩ.
 - INSULATION RESISTANCE: 100MΩ MIN
 - DIELECTRIC WITHSTAND VOLTAGE, AC 100V FOR 1 MINUTE.
- ENVIRONMENTAL PERFORMANCE:
 - OPERATING TEMPERATURE: -25°C~+85°C.
- IR REFLOW:
 - THE PEAK TEMPERATURE ON THE BOARD SHALL BE MAINTAINED FOR 10 SECONDS AT 260°C.

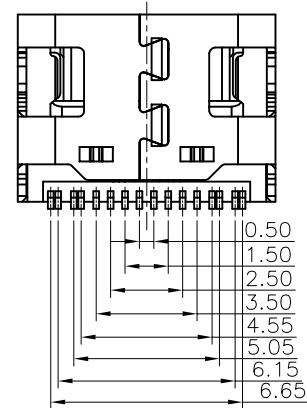
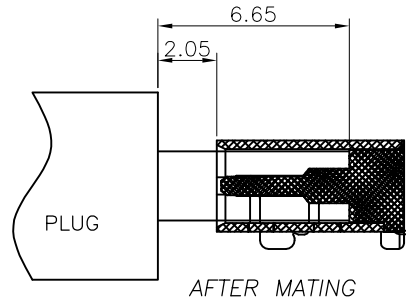
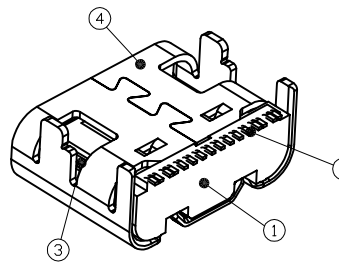
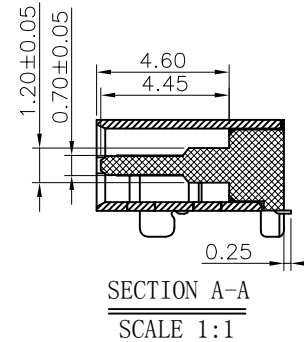
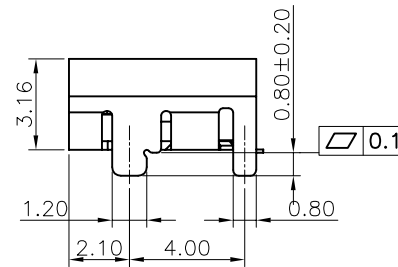
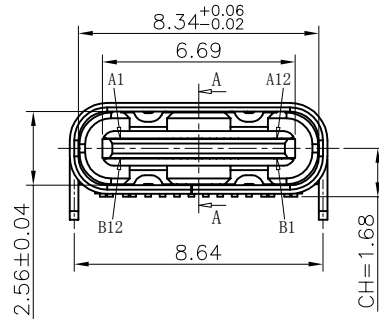
7. PART NUMBER CODE:

Z-CF055S X X 12 R-A-01
(1) (2) (3)

- HOUSING MATERIAL:
C: PA9T
- HOUSING COLOR:
B: BLACK
- CONTACTS PLATED:
12: 接触镀金3u" 焊接区域镀金1u"



RECOMMENDED PCB LAYOUT(TOP VIEW)
THICKNESS 0.60MM; DEFAULT TOLERANCE: ±0.05



USB TYPE C PIN ASSIGNMENTS

PIN NUMBER	SIGNAL NAME	PIN NUMBER	SIGNAL NAME
A1	GND	B12	GND
A4	VBUS	B9	VBUS
A5	CC1	B8	SUB2
A6	Dp1	B7	Dn2
A7	Dn1	B6	Dp2
A8	SBU1	B5	CC2
A9	VBUS	B4	VBUS
A12	GND	B1	GND

PART NO.:
SEE THE PART NUMBER CODE

QUALITY SYMBOL	GENERAL TOLERANCES (UNLESS SPECIFIED)	
	x.xxxx	± ---
	x.xxx	± 0.10
	x.xx	± 0.25
	x.x	± 0.30
ANGULAR	± ---°	

GOLDCONN TECHNOLOGIES COMPANY LIMITED		DRAWN BY SAM		DATE 2020.03.12	
TITLE USB C F TYPE单排SMT6.5 四脚插板CONN一体成型		CHECKED BY JAY		DATE 2020.03.12	
DWG.NO. CF055-16-01		APPROVED BY JACKY		DATE 2020.03.12	
DIMENSION STYLE MM ONLY		DESIGN UNITS METRIC		SCALE 1:1	

SHEET NO. 1 OF 1		THIRD ANGLE PROJECTION	
---------------------	--	------------------------	--

frame size: A4