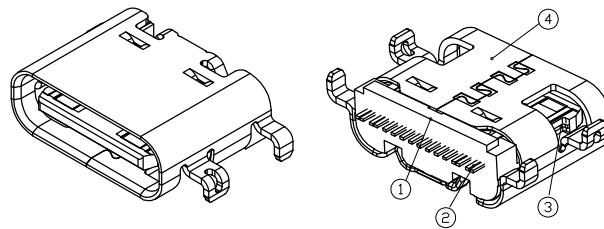
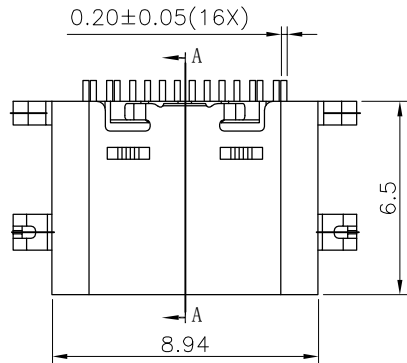


RoHS Compliant 

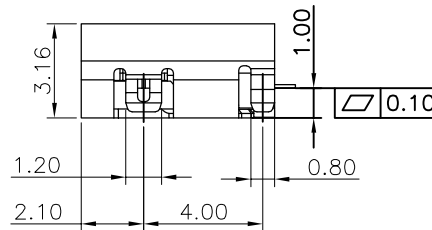
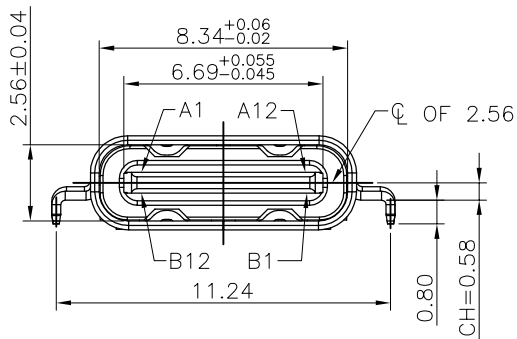
THI

REV	ECN No.	DATE	REMARK
A	NEW	2021.02.03	NEW RELEASE



NOTE:

- Electrical Characteristics:
  - 1-1: Current Rating: 5A For Pin(A4,A9,B4,B9)  
1.25A For Pin(B5)  
0.25A For Others Pin
  - 1-2: VOLTAGE RATING:5.0V
  - 1-3: Insulation Resistance: 100MΩ Min.
  - 1-4: Contact Resistance:  
VBUS & GND PINS AND OTHER PINS: 40mΩ/PIN MAX.  
SHIELD:50mΩ/MAX.  
SHIELD:LLCR MAX. CHANGE OF ALL PINS: 10mΩ.
  - 1-5: Dielectric Withstanding Voltage: 100V/AC 1Minute
- Mechanical Characteristics:
  - Insertion Force: 5~20N
  - Extraction Force: Initial: 8~20N  
After durability: 6~20N
  - Durability :10000 Cycles
- Operating Temperature: -25°C TO +85°C



4. PART NUMBER CODE:(产品料号)

Z-CF059S L B XX XX - A - 02  
(1) (2) (3) (4)

(1) HOUSING MATERIAL:

L:LCP

(2) HOUSING COLOR:

B:BLACK

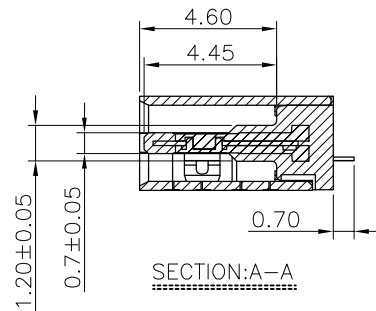
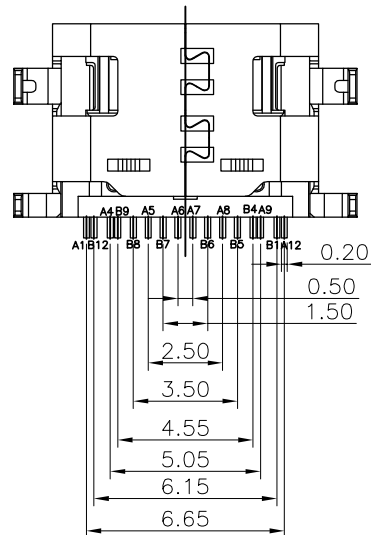
(3) CONTACTS PLATED:

12:接触镀金3u\*其它GF

(4) PACKING OPTIONS

R:卷装(常用料)

VR:卷装+真空包装(专用客户指定包规)



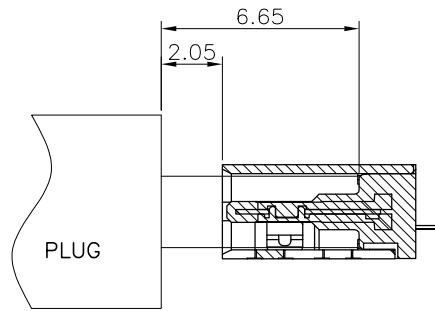
TYPE:

4	SHELL	SUS304 1/2H T=0.30mm	NICKEL 30u" MIN PLATING	1PCS
3	SHIELDING PLATE	SUS301 3/4H T=0.15mm	---	1PCS
2	CONTACT	C18400-H T=0.12mm	NI 50u" MIN. UNDER PLATED OVER ALL Au 3u" PLATED ON THE FUNCTIONAL AREA OF CONTACT. PLATING G/F OF THE SOLDER AREA	2SET
1	HOUSING	LCP UL94V-0	BLACK	1PCS
NO.	DESCRIPTION	MATERIAL	REMARKS	QTY

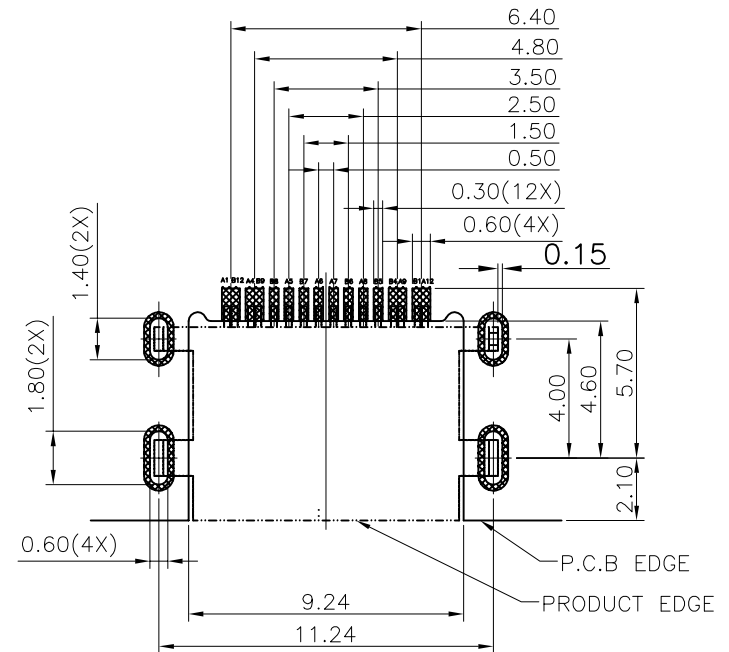
PART NO.:		GOLDCONN TECHNOLOGIES COMPANY LIMITED		DRAWN BY	DATE	
SEE THE PART NUMBER CODE				SAM	2021.02.03	
QUALITY SYMBOL	GENERAL TOLERANCES (UNLESS SPECIFIED)	TITLE		CHECKED BY	DATE	
	x.xxxxx	± ---	USB CF 16PIN (L=6.5) 沉板1.0		JAY	2021.02.03
	x.xxx	± 0.10	DWG.NO.	APPROVED BY		
	x.xx	± 0.20	Z-CF059-02	JACKY	DATE	
	x.x	± 0.30	SHEET NO.	2021.02.03		
ANGULAR	± ---	DIMENSION STYLE	SCALE	THIRD ANGLE PROJECTION		
		MM ONLY	1 OF 2	1:1		

RoHS Compliant 

REV	ECN No.	DATE	REMARK
A	NEW	2021.02.03	NEW RELEASE




AFTER MATING



RECOMMENDED PCB LAYOUT(TOP VIEW)  
THICKNESS 0.80MM;DEFAULT TOLERANCE:±0.05

USB TYPE-C PIN ASSIGNMENTS

PIN NUMBER	SIGNAL NAME	PIN NUMBER	SIGNAL NAME
A1	GND	B12	GND
A4	VBUS	B9	VBUS
A5	CC1	B8	SBU2
A6	Dp1	B7	Dn2
A7	Dn1	B6	Dp2
A8	SBU1	B5	CC2
A9	VBUS	B4	VBUS
A12	GND	B1	GND

PART NO.: SEE THE PART NUMBER CODE		GOLDCONN TECHNOLOGIES COMPANY LIMITED		DRAWN BY SAM	DATE 2021.02.03
QUALITY SYMBOL 0  0		GENERAL TOLERANCES (UNLESS SPECIFIED)		TITLE USB CF 16PIN (L=6.5) 沉板1.0	
		x.xxxx	± ---	DWG.NO. Z-CF059-02	
x.xxx	± 0.10	SHEET NO. 2 OF 2		CHECKED BY JAY	
x.xx	± 0.20	SCALE 1:1		DATE 2021.02.03	
x.x	± 0.30	DIMENSION STYLE MM ONLY		APPROVED BY JACKY	
ANGULAR	± ---°	DESIGN UNITS METRIC		DATE 2021.02.03	
				THIRD ANGLE PROJECTION	