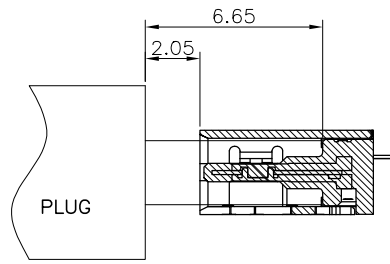
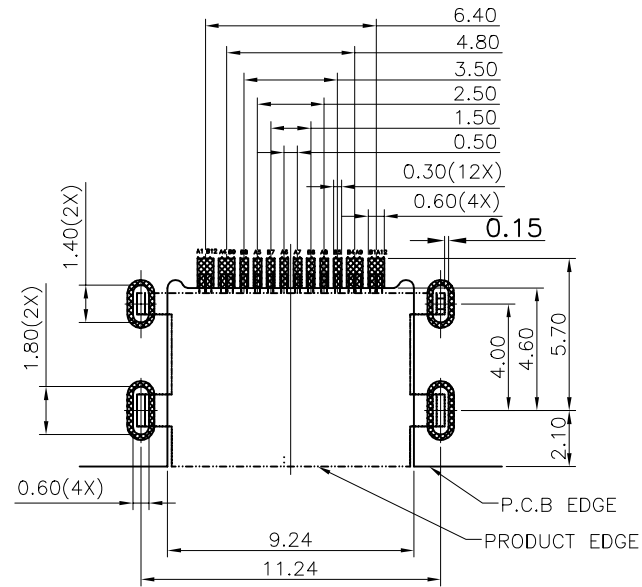


RoHS Compliant 

REV	ECN No.	DATE	REMARK
A	NEW	2017.08.31	NEW RELEASE
B	ECN2104005	2021.04.09	增加外壳底部卡勾



AFTER MATING



RECOMMENDED PCB LAYOUT(TOP VIEW)
THICKNESS 0.80MM;DEFAULT TOLERANCE:±0.05

USB TYPE-C PIN ASSIGNMENTS

PIN NUMBER	SIGNAL NAME	PIN NUMBER	SIGNAL NAME
A1	GND	B12	GND
A4	VBUS	B9	VBUS
A5	CC1	B8	SBU2
A6	Dp1	B7	Dn2
A7	Dn1	B6	Dp2
A8	SBU1	B5	CC2
A9	VBUS	B4	VBUS
A12	GND	B1	GND

PART NO.: SEE THE PART NUMBER CODE		GOLDCONN TECHNOLOGIES COMPANY LIMITED		DRAWN BY SAM	DATE 2021.04.09	
QUALITY SYMBOL = 0 ▽ = 0 = 0 ▽ = 0	GENERAL TOLERANCES (UNLESS SPECIFIED)		TITLE USB CF 16PIN (L=6.5) 沉板2.1			
	x.xxxx	± ---	DWG.NO. Z-CF060-02	SHEET NO. 2 OF 2	CHECKED BY JAY	DATE 2021.04.09
	x.xxx	± 0.10			APPROVED BY JACKY	DATE 2021.04.09
	x.xx	± 0.25				
	x.x	± 0.30				
ANGULAR	± ---°	DIMENSION STYLE MM ONLY	DESIGN UNITS METRIC	SCALE 1:1	THIRD ANGLE PROJECTION	