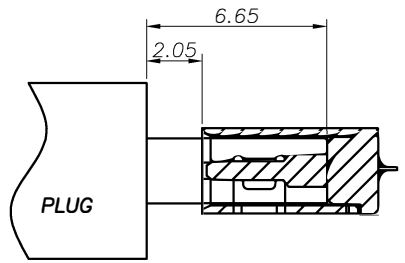
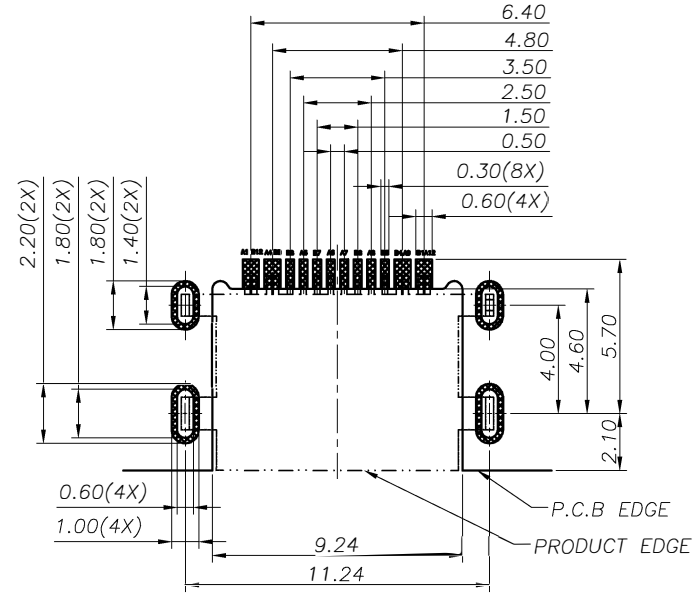


RoHS Compliant 

REV	ECN No.	DATE	REMARK
A	NEW	2020.10.12	NEW RELEASE



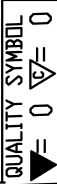
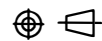
AFTER MATING



RECOMMENDED PCB LAYOUT(TOP VIEW)
THICKNESS 0.80MM;DEFAULT TOLERANCE:±0.05

USB TYPE-C PIN ASSIGNMENTS

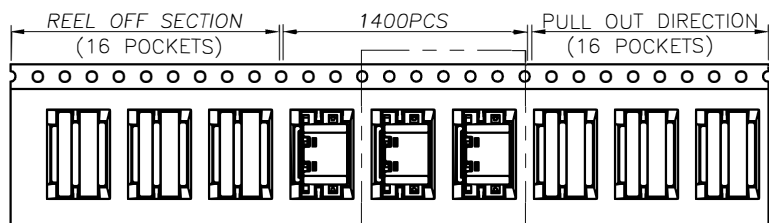
PIN NUMBER	SIGNAL NAME	PIN NUMBER	SIGNAL NAME
A1	GND	B12	GND
A4	VBUS	B9	VBUS
A5	CC1	B8	SBU2
A6	Dp1	B7	Dn2
A7	Dn1	B6	Dp2
A8	SBU1	B5	CC2
A9	VBUS	B4	VBUS
A12	GND	B1	GND

QUALITY SYMBOL 	PART NO.: SEE THE PART NUMBER CODE		GOLDCONN TECHNOLOGIES COMPANY LIMITED		DRAWN BY SAM	DATE 2020.10.12
	GENERAL TOLERANCES (UNLESS SPECIFIED)		TITLE USB CF 16PIN (L=6.5) MID MOUNT 1.6MM		CHECKED BY JAY	DATE 2020.10.12
	x.xxxx ± ---	x.xxx ± 0.10	DWG.NO. CF062-01	SHEET NO. 2 OF 3	APPROVED BY JACKY	DATE 2020.10.12
	x.xx ± 0.20	x.x ± 0.30	DIMENSION STYLE MM ONLY	DESIGN UNITS METRIC	SCALE 1:1	 THIRD ANGLE PROJECTION

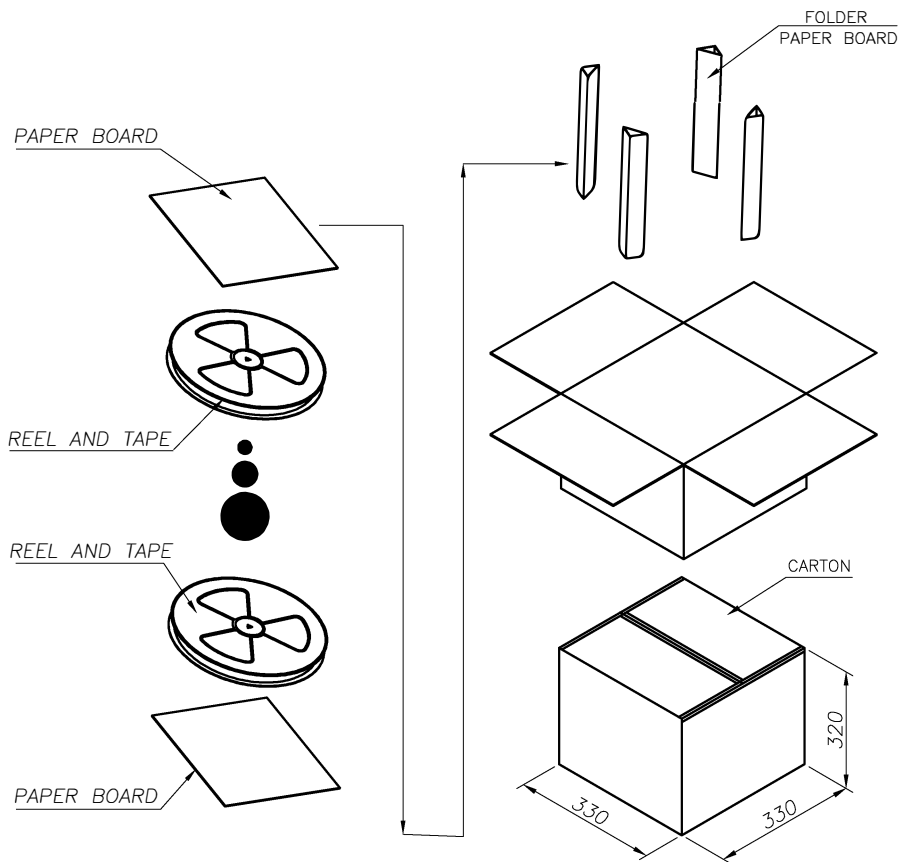
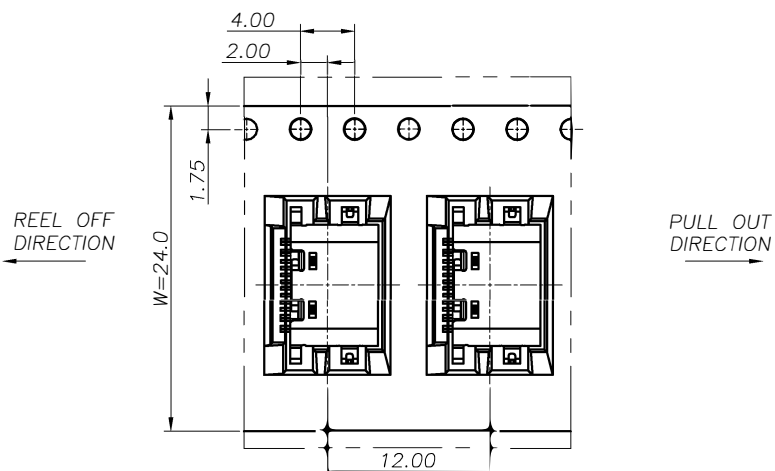
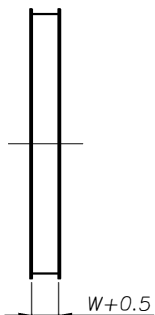
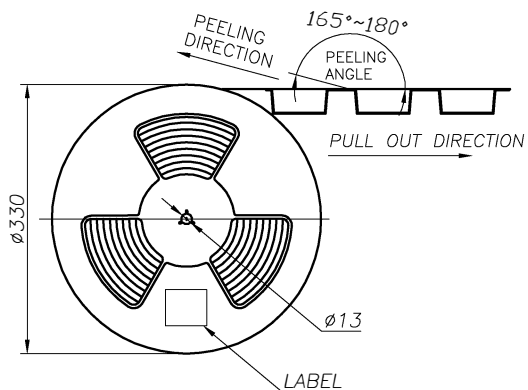
frame size: A4

RoHS Compliant 

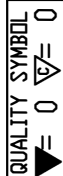
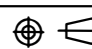
REV	ECN No.	DATE	REMARK
A	NEW	2020.10.12	NEW RELEASE



SEE DETAIL X



	REEL	CARTON
CONNECTOR (PCS)	1400	14000

PART NO.: SEE THE PARTNUMBER CODE		GOLDCONN TECHNOLOGIES COMPANY LIMITED		DRAWN BY SAM	DATE 2020.10.12
QUALITY SYMBOL 		GENERAL TOLERANCES (UNLESS SPECIFIED) x.xxxxx ± --- x.xxxx ± 0.10 x.xxx ± 0.20 x.x ± 0.30 ANGULAR ± ---		TITLE USB CF 16PIN (L=6.5) MID MOUNT 1.6MM	
		DWG.ND. CF062-01		SHEET NO. 3 OF 3	
DIMENSION STYLE MM ONLY		DESIGN UNITS METRIC		SCALE 1:1	
				APPROVED BY JACKY	
				DATE 2020.10.12	
				 THIRD ANGLE PROJECTION	

frame size: A4