

REV	ECN No.	DATE	REMARK
A	NEW	2018.03.06	NEW RELEASE
B	---	2020.09.22	1.中隔片两侧屏蔽片外露，公头对接时接触更稳定 2.端子SMT根部加宽，改善高频性能 3.BMC弹片用INSERT MOLDING结构，结构更稳定
C	---	2022.05.25	增加30U电镀规格
D	---	2023.11.11	整理图纸

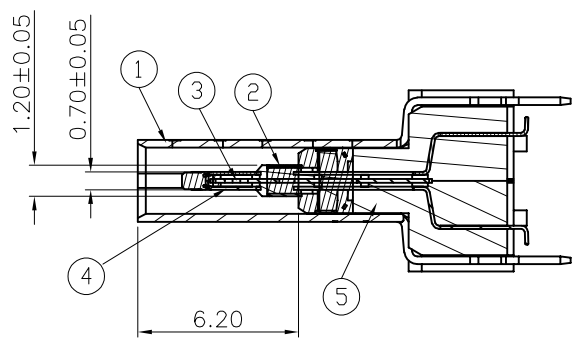
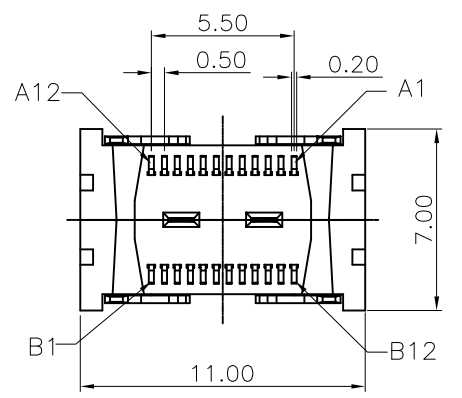
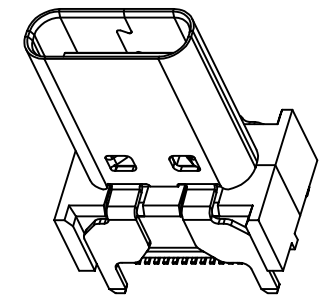
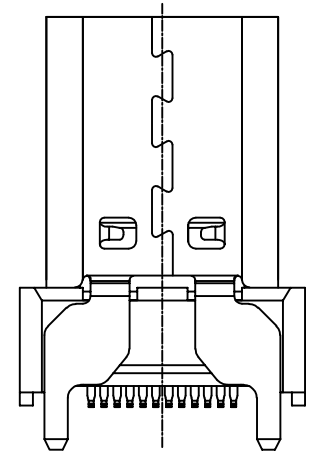
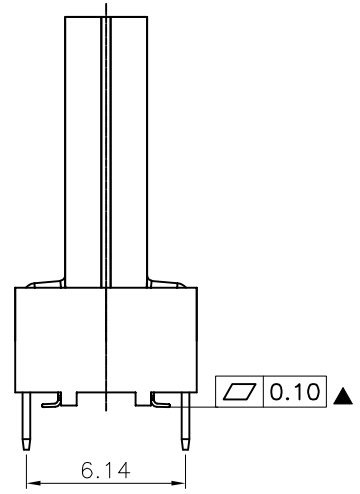
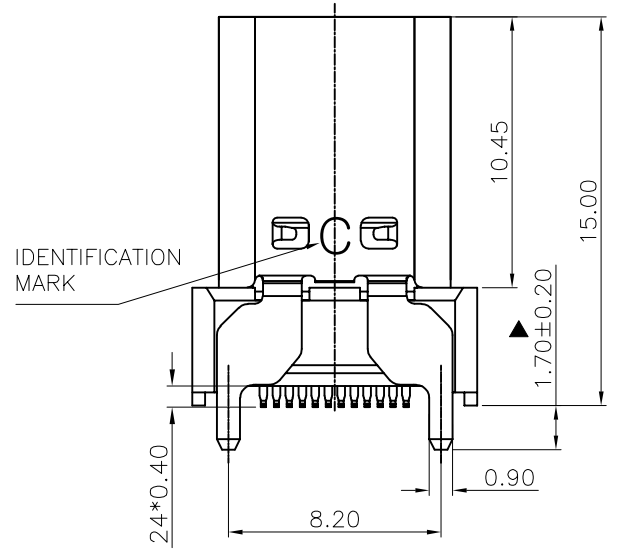
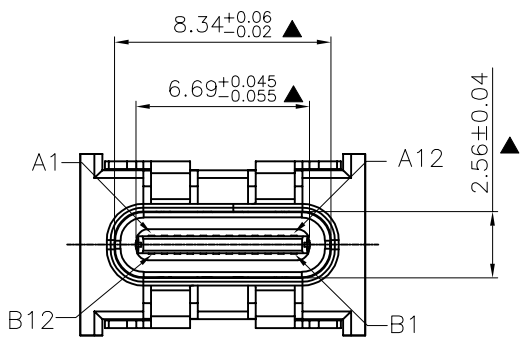
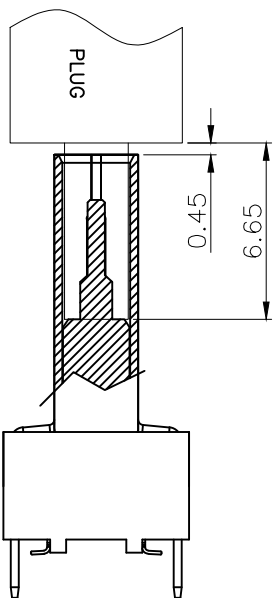


TABLE:

NO	PART	Q'TY	Material
1	SHELL	1	STAINLESS STEEL 304, NI 30u" MIN PLATED
2	EMI Plate	1	STAINIESS STEEL 301, NO PLATED
3	Mid Plate	1	STAINIESS STEEL 301, NO PLATED
4	CONTACT	24	COPPER ALLOY C7025,Au 1u"Plated On Vontact Area Matt Tin Plated On Solder Area;Nickel 50u"Min Underplating Over All.
5	InsertMolding	1	LCP BLACK UL94 V-0
6	CAP	1	LCP BLACK UL94 V-0

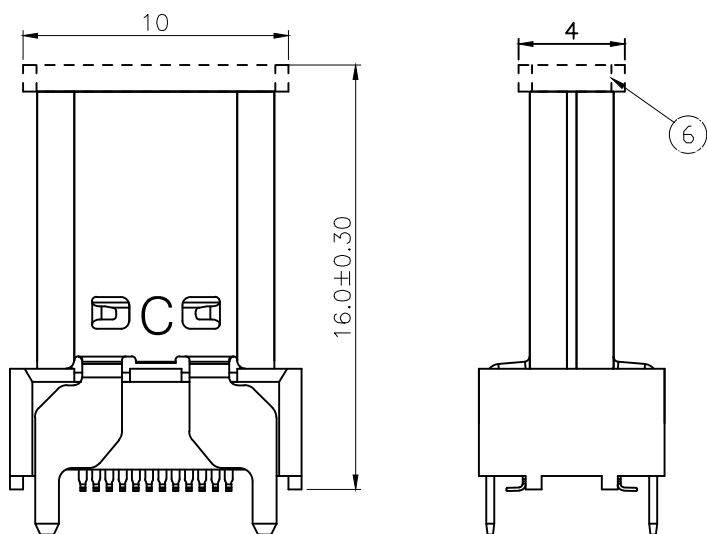
  

PART NO.:		DRAWN BY:		GOLDCONN TECHNOLOGIES COMPANY LIMITED		
SEE THE PART NUMBER CODE		HuangXiaoHao				
GENERAL TOLERANCES		CHECKED BY:		TITLE		
x.xxxx	± ---	liuzongliang				
x.xxx	± 0.10	APPROVED BY:				
x.xx	± 0.25	Jacky				
x.x	± 0.30	THIRD ANGLE PROJECTION		USB 3.1 TYPE C FEMALE VERTICAL H 15.0mm SMT TYPE		
ANGULAR	± 3'	DIMENSIONS SCALE DRAWING SHEET NO. DWG.NO.				
		mm	1:1	A4	1 OF 3	CF103-24-C3



AFTER MATING

CAP示意图



REV	ECN No.	DATE	REMARK
A	NEW	2018.03.06	NEW RELEASE
B	---	2020.09.22	1.中隔片两侧屏蔽片外露, 公头对插时接触更稳定 2.端子SMT根部加宽, 改善高频性能 3.弹片用INSERT MOLDING结构, 结构更稳定
C	---	2022.05.25	增加30U电镀规格
D	---	2023.11.11	整理图纸

NOTE:

- ELECTRICAL PERFORMANCE,
  - CURRENT RATING:5 AMPS. FOR TOTAL VBUS/GND PINS;  
1.25AMPS FOR CC PIN,  
0.25 AMPS. FOR ALL OTHER CONTACT.
  - VOLTAGE RATING:20V DC/AC (RMS. MAX)
  - LLCR:.  
VBUS & GND PINS AND OTHER PINS: 40MΩ/PIN MAX.  
SHIELD:50MΩ/MAX.  
LLCR MAX. CHANGE OF ALL PINS: 10MΩ.
  - INSULATION RESISTANCE: 100MΩ MIN
  - DIELECTRIC WITHSTAND VOLTAGE,AC 100V FOR 1 MINUTE.
- MECHANICAL PERFORMANCE,
  - INSERTION FORCE: 5~20N.
  - EXTRACTION FORCE: 8~20N.
  - DURABILITY: 10000 CYCLES.
- ENVIRONMENTAL PERFORMANCE:
  - OPERATING TEMPERATURE: -30°C~+85°C.
- IR REFLOW:
  - THE PEAK TEMPERATURE ON THE BOARD SHALL BE MAINTAINED FOR 10 SECONDS AT 260°C.
- COMPLIANCE WITH ROHS REQUIREMENTS.
- SALT SPRAY:24H
- With "▲" for the key control size

PART NUMBER CODE:

NO.	PART NO.	REMARKS	PACKING
3	CF103-24LB01R1-C3	LCP E6808黑色半金锡1u''	TAPE & REEL: 载带宽44mm(特殊订制款)
2	CF103-24LB05R-C3	LCP E6808黑色半金锡30u''	TAPE & REEL
1	CF103-24LB01R-C3	LCP E6808黑色半金锡1u''	TAPE & REEL

PIN DEFINITION:

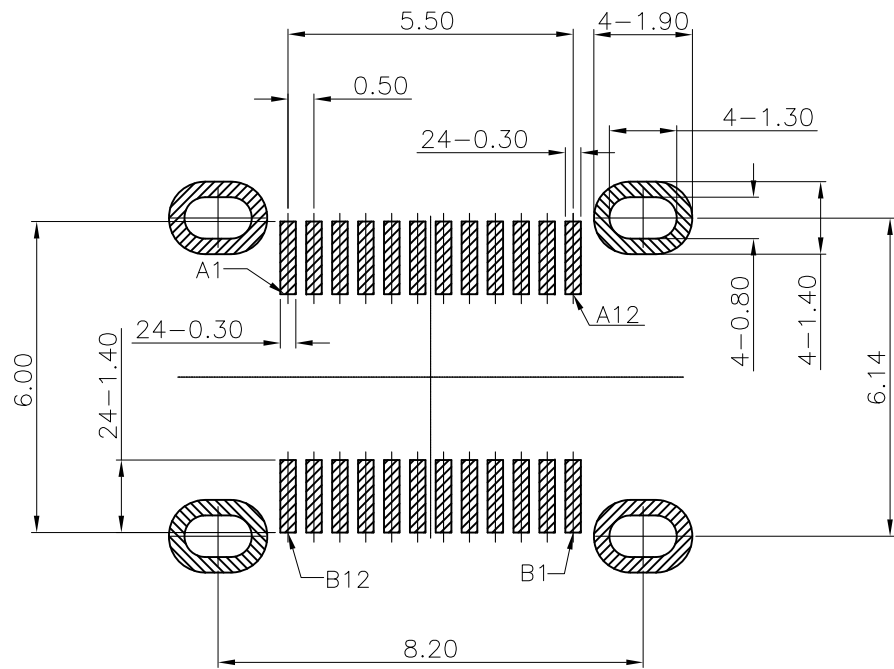
PIN No.	A1	A2	A3	A4	A5	A6	A7	A8	A9	A10	A11	A12
SIGNAL NAME	GND	TX1+	TX1-	VBUS	CC1	D+	D-	SBU1	VBUS	RX2-	RX2+	GND

PIN No.	B12	B11	B10	B9	B8	B7	B6	B5	B4	B3	B2	B1
SIGNAL NAME	GND	RX1+	RX1-	VBUS	SBU2	D-	D+	CC2	VBUS	TX2-	TX2+	GND

PART NO.:	DRAWN BY:	GOLDCONN TECHNOLOGIES COMPANY LIMITED
SEE THE PART NUMBER CODE	HuangXiaoHao	
GENERAL TOLERANCES	CHECKED BY:	TITLE USB 3.1 TYPE C FEMALE VERTICAL H 15.0mm SMT TYPE
x.xxxx ± ---	liuzongliang	
x.xxx ± 0.10	APPROVED BY:	
x.xx ± 0.25	Jacky	
x.x ± 0.30	THIRD ANGLE PROJECTION	INMENSIONS
ANGULAR ± 3'		SCALE
		DRAWING
		SHEET NO.
		DWG.NO.
		2 OF 3
		CF103-24-C3

REV	ECN No.	DATE	REMARK
A	NEW	2018.03.06	NEW RELEASE
B	---	2020.09.22	1.中隔片两侧屏蔽片外露，公头对插时接触更稳定 2.端子SMT根部加宽，改善高频性能 3.EMC弹片用INSERT MOLDING结构，结构更稳定
C	---	2022.05.25	增加30U电镀规格
D	---	2023.11.11	整理图纸



RECOMMEND P.C.B LAYOUT(TOW VIEW)  
 TOLERANCE FOR PCB LAYOUT IS  $\pm 0.05$   
 PCB THICKNESS:1.80MM  
 SCALE:2:1

PART NO.:		DRAWN BY:		GOLDCONN TECHNOLOGIES COMPANY LIMITED		
SEE THE PART NUMBER CODE		HuangXiaoHao				
GENERAL TOLERANCES		CHECKED BY:		TITLE		
x.xxxx	$\pm$ ---	liuzongliang				
x.xxx	$\pm$ 0.10	APPROVED BY:				
x.xx	$\pm$ 0.25	Jacky		USB 3.1 TYPE C FEMALE VERTICAL H 15.0mm SMT TYPE		
x.x	$\pm$ 0.30	THIRD ANGLE PROJECTION		DIMENSIONS	SCALE	DRAWING
ANGULAR	$\pm$ 3'			mm	1:1	A4
				SHEET NO.	DWG.NO.	
				3 OF 3	CF103-24-C3	