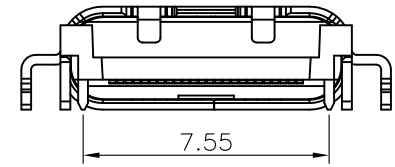
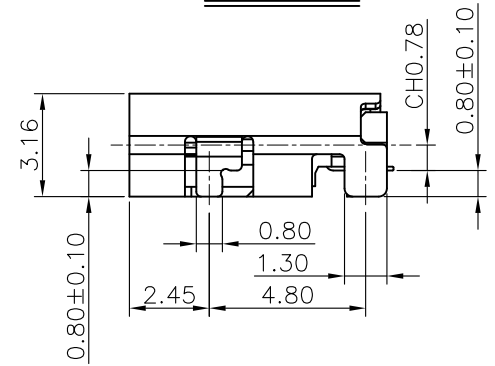
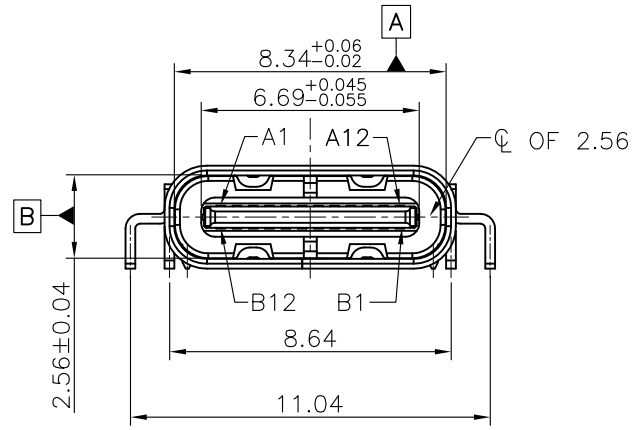
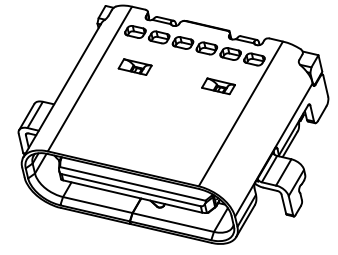
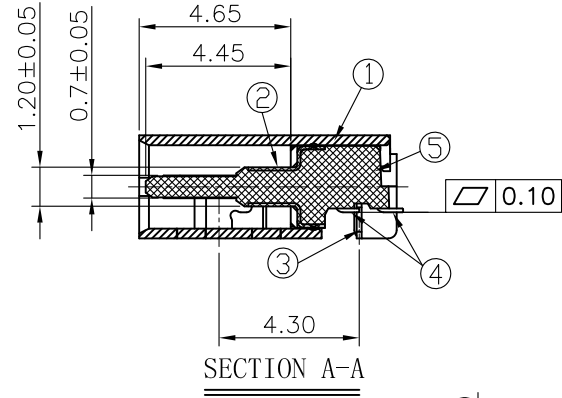
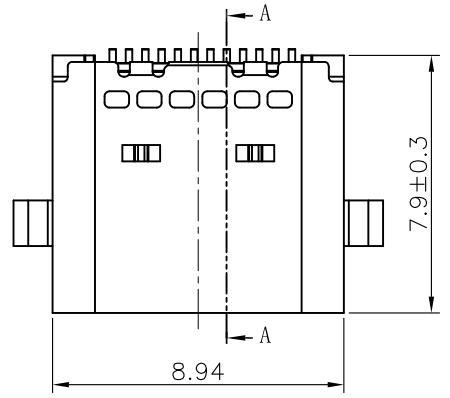


TID NO. 9899
IEC62680-1-3 24T04N002790-001-COM

REV	ECN No.	DATE	REMARK
A	NEW	2020.12.15	NEW RELEASE
B	---	2023.09.25	更新图纸描述

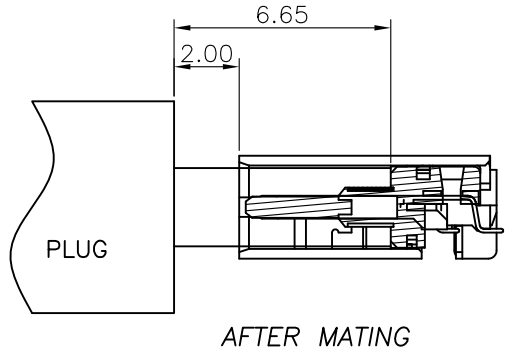
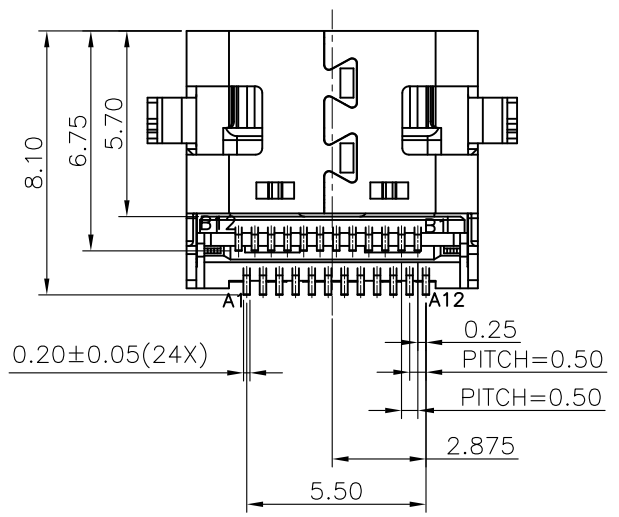


REFERENCE TABLE:

NO.	PART NO.	REMARKS	PACKING
1	CF104-24LB12R-02	LCP BLACK Au 3u"	TAPE & REEL
2	CF104-24LB14R-02	LCP BLACK Au 15u"	TAPE & REEL
3	CF104-24LB15R-02	LCP BLACK Au 30u"	TAPE & REEL
4	CF104-24LB12VR-02	LCP BLACK Au 3u"	TAPE & REEL+VACUUM PACKAGING

TABLE:

NO	PART	Q'TY	Material
1	SHELL	1	Stainless Steel SUS304 T=0.30mm, NI 30u" MIN PLATED
2	EMI Plate	1	Stainless Steel SUS301 T=0.10mm, NI 30u" MIN PLATED
3	Mid Plate	1	Stainless Steel SUS301 T=0.15mm, Matte Tin plated 50u"min on solder area; Nickel 50u"min underplating over all.
4	CONTACT	24	COPPER STEEL C18400, Au plated on contact area GF Plated on solder area; Nickel 50u"min underplating over all.
5	HOUSING	1	LCP BLACK UL94 V-0



GENERAL TOLERANCES (UNLESS SPECIFIED)		DRAWN BY: HuangXiaoHao		Date: 2023.09.25		GOLDCONN TECHNOLOGIES COMPANY LIMITED	
X.XXX	±0.10	CHECKED BY: liuzongliang	Date:	2023.09.25		TITLE USB Type-C MID-MOUNT SINK 0.8mm DUAL ROW SMT, CH=0.78mm	
X.XX	±0.25	APPROVED BY: Jacky	Date:	2023.09.25		PART NO. SEE THE PART NUMBER CODE	DWG NO. CF104-24-02
X.X	±0.30	THIRD ANGLE PROJECTION		UNT	SCALE	DRAWING	SHEET NO.
ANGULAR	±3°			mm	1:1	A4	1 OF 2
							REV. A

REV	ECN No.	DATE	REMARK
A	NEW	2020.12.15	NEW RELEASE
B	---	2023.09.25	更新图纸描述

NOTE:

- ELECTRICAL PERFORMANCE,
 - CURRENT RATING:5 AMPS. FOR TOTAL VBUS/GND PINS;
1.25AMPS FOR CC PIN,
0.25 AMPS. FOR ALL OTHER CONTACT.
 - VOLTAGE RATING:20V DC/AC (RMS. MAX)
 - CONTACT RESISTANCE: 40MΩ MAX INITIAL.
50MΩ MAX AFTER TEST
 - DIELECTRIC WITHSTANDING VOLTAGE: 100V AC
 - INSULATION RESISTANCE:100MΩ MIN
- MECHANICAL PERFORMANCE,
 - INSERTION FORCE: 5~20N.
 - EXTRACTION FORCE: 8~20N.
 - DURABILITY: 10000 CYCLES.
- ENVIRONMENTAL PERFORMANCE:
OPERATING TEMPERATURE: -25°C~+85°C.
- IR REFLOW:
THE PEAK TEMPERATURE ON THE BOARD SHALL BE MAINTAINED FOR 10 SECONDS AT 260°C.
- COMPLIANCE WITH ROHS REQUIREMENTS.
- SALT SPRAY:48H

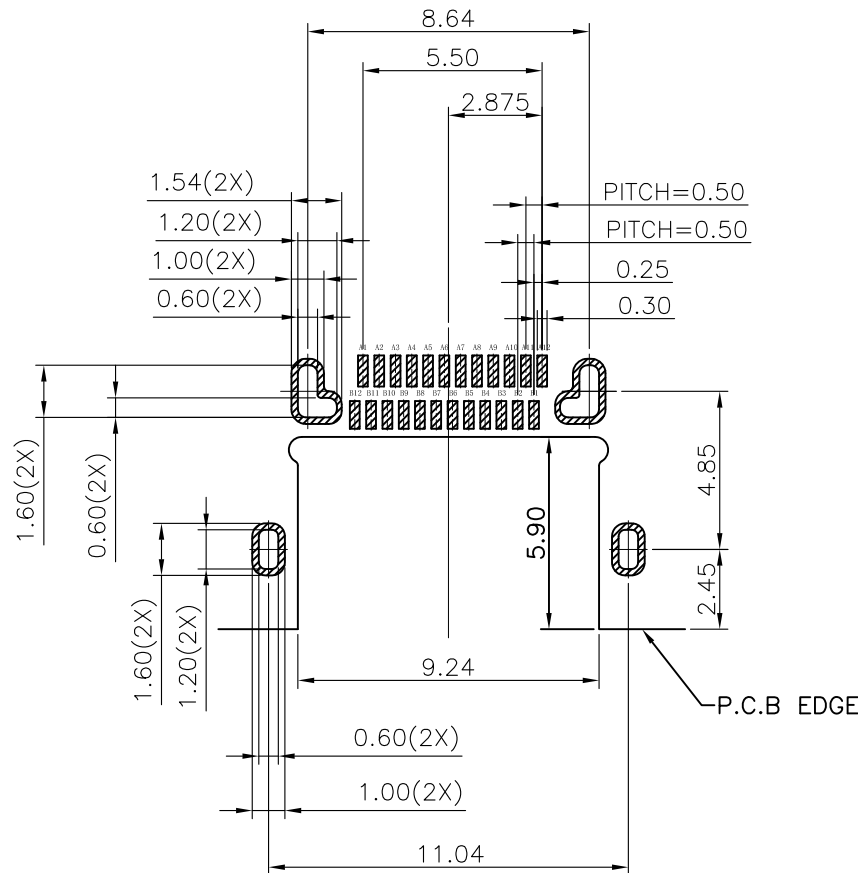
Pin Definition:												
PIN No.	A1	A2	A3	A4	A5	A6	A7	A8	A9	A10	A11	A12
SIGNAL NAME	GND	TX1+	TX1-	VBUS	CC1	D+	D-	SBU1	VBUS	RX2-	RX2+	GND
PIN No.	B12	B11	B10	B9	B8	B7	B6	B5	B4	B3	B2	B1
SIGNAL NAME	GND	RX1+	RX1-	VBUS	SBU2	D-	D+	CC2	VBUS	TX2-	TX2+	GND

PART NUMBER CODE:

CF104-24 L X XX X - 02
① ② ③

- HOUSING COLOR:
B:BLACK
- CONTACTS PLATED:
12:Contact Area: Au 3u"
Solder Tails:GF
14:Contact Area: Au 15u"
Solder Tails:GF
15:Contact Area: Au 30u"
Solder Tails:GF
- PACKING OPTIONS:
R:TAPE & REEL
VR:TAPE & REEL+VACUUM PACKAGING(专用客户指定包规)

GENERAL TOLERANCES (UNLESS SPECIFIED)	DRAWN BY: HuangXiaoHao	Date: 2023.09.25	GOLDCONN TECHNOLOGIES COMPANY LIMITED	
X.XXX ±0.10	CHECKED BY: liuzongliang	Date: 2023.09.25	TITLE USB Type-C MID-MOUNT SINK0.8mm DUAL ROW SMT, CH=0.78mm	
X.X ±0.25	APPROVED BY: Jacky	Date: 2023.09.25	PART NO. SEE THE PART NUMBER CODE	DWG NO. CF104-24-02
ANGULAR ±3°	THIRD ANGLE PROJECTION	UNT	SCALE mm 1:1	DRAWING A4
			SHEET NO. 2 OF 2	REV. A



RECOMMENDED PCB LAYOUT(TOP VIEW)
THICKNESS 0.60MM;DEFAULT TOLERANCE:±0.05