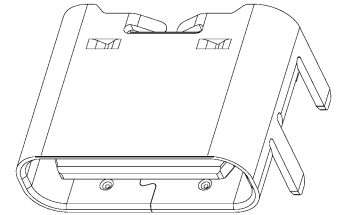
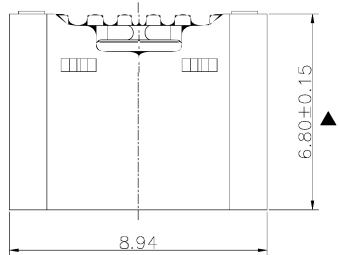


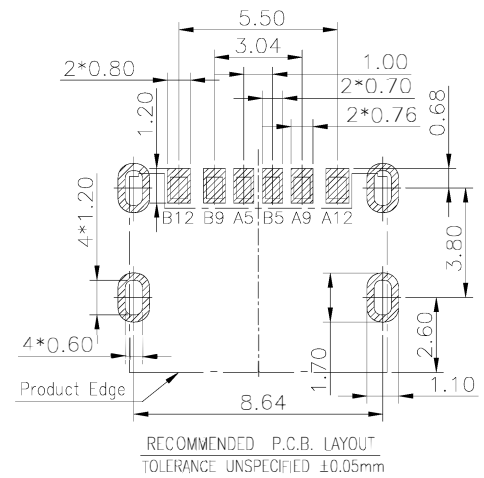
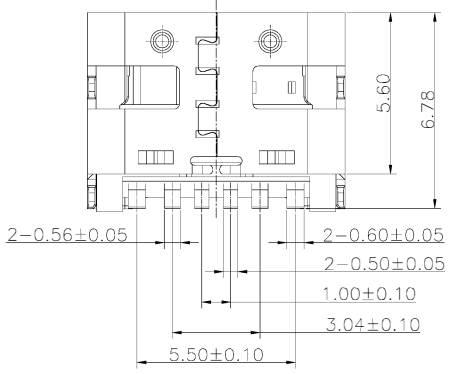
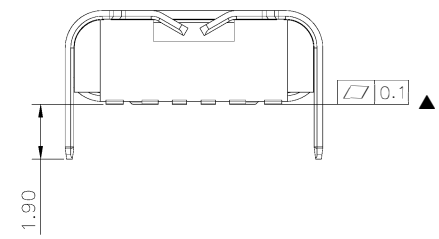
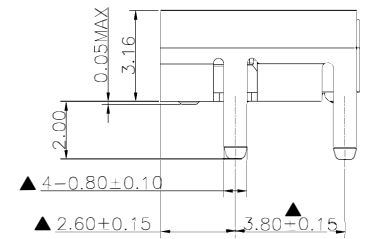
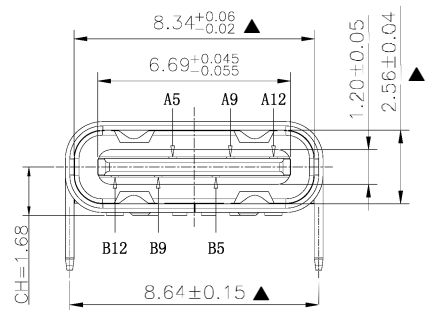
RoHS Compliant

REV	ECN No.	DATE	REMARK
A	NEW	2017.03.17	NEW RELEASE
B	ECN201906005	2019.06.12	1. 变更外壳尾部形状, 将扣点内缩以便于铆压 2. 增加端子压料针, 防止端子包胶
C	ECN202105002	2021.05.06	增加真空包装料号规格
D	ECR2209004	2022.09.19	优化产品结构



NOTE:

- Electrical Characteristics:
 - 1-1: Current Rating: 3A For Pin(A4,A9,B4,B9)
1.25A For Pin(B5)
0.25A For Others Pin
 - 1-2: VOLTAGE RATING:5.0V
 - 1-3: Insulation Resistance: 100MΩ Min.
 - 1-4: Contact Resistance:
VBUS & GND PINS AND OTHER PINS: 40mΩ/PIN MAX.
SHIELD:50mΩ/MAX.
SHIELD:LLCR MAX. CHANGE OF ALL PINS: 10mΩ.
 - 1-5: Dielectric Withstanding Voltage: 100V/AC 1Minute
- Mechanical Characteristics:
 - Insertion Force: 5~20N
 - Extraction Force: Initial: 8~20N
 - After durability: 6~20N
 - Durability :10000 Cycles
- Operating Temperature: -25°C TO +85°C
- 注: 带“▲”号的为重点管控尺寸
- PART NUMBER CODE:(产品料号)
Z-CF039S L B 11 XX-A-02
(1)(2)(3)(4)
 - (1) HOUSING MATERIAL:
L:LCP
 - (2) HOUSING COLOR:
B:BLACK
 - (3) CONTACTS PLATED:
11:全金1u"
 - (4) PACKING OPTIONS
R:卷装(常用料)
VR:卷装+真空包装(专用客户指定包规)



A5	CC1	B12	GND
A9	VBUS	B9	VBUS
A12	GND	B5	CC2
P/N	SIGNAL NAME	PIN	SIGNAL NAME

TYPE:

NO.	DESCRIPTION	MATERIAL	REMARKS	QTY
4	SHELL	SUS T=0.30mm	NICKEL 30u" MIN PLATING	1PCS
3	LATCH	SUS T=0.15mm	---	1PCS
2	CONTACT	C2680 T=0.20mm	Ni 50u" MIN. UNDER PLATED OVER ALL. Au PLATED ON THE FUNCTIONAL AREA OF CONTACT. PLATING OF THE SOLDER AREA (SEE THE PART NUMBER CODE)	2SET
1	HOUSING	LCP UL94V-0	BLACK	1PCS

PART NO.: SEE THE PART NUMBER CODE		GOLDCONN TECHNOLOGIES COMPANY LIMITED		DATE 2022.09.19	
DRAWN BY: GENERAL TOLERANCES (UNLESS SPECIFIED)		TITLE USB C F 单排6PIN SMT脚长2.0 CH1.68		CHECKED BY JAY DATE 2022.09.19	
QUALITY SYMBOL: 0		DWG.ND. Z-CF039-02		APPROVED BY JACKY DATE 2022.09.19	
ANGULAR		DIMENSION STYLE MM ONLY		DESIGN UNITS METRIC	
		SHEET NO. 1 OF 1		SCALE 1:1	
THIRD ANGLE PROJECTION					

frame size: A4