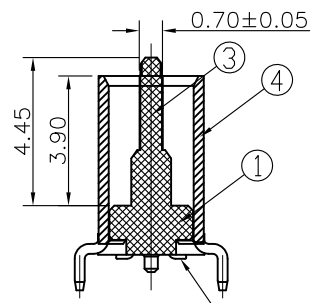
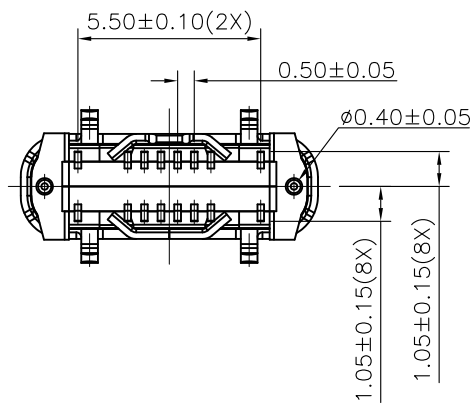
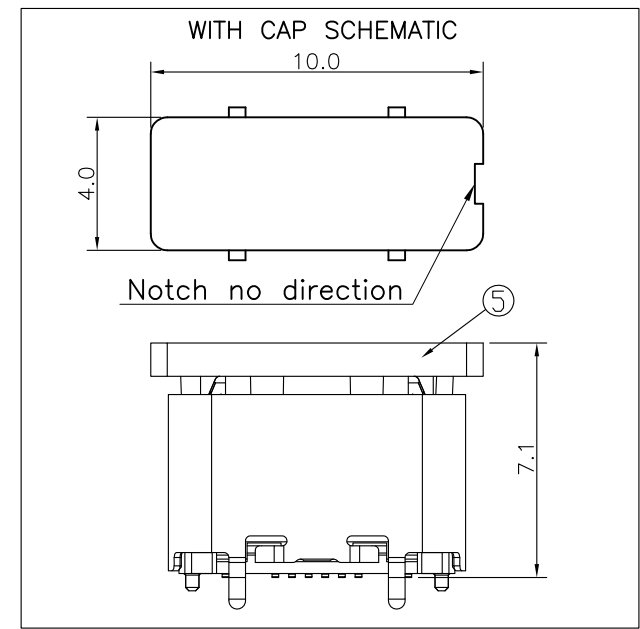
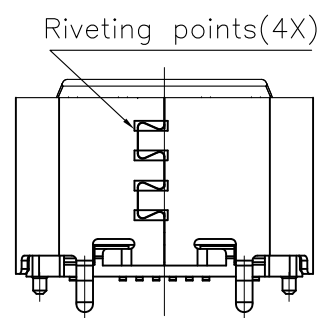
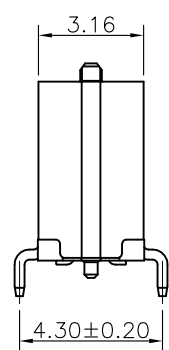
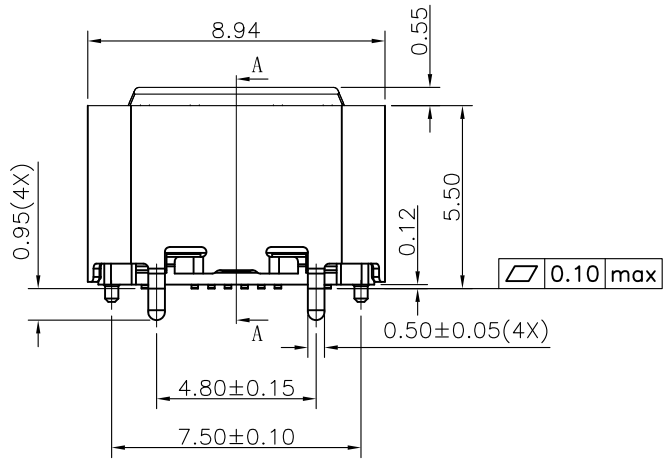
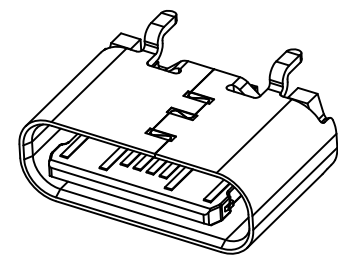
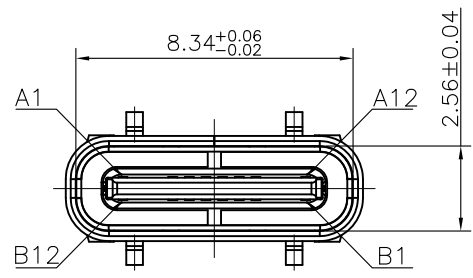


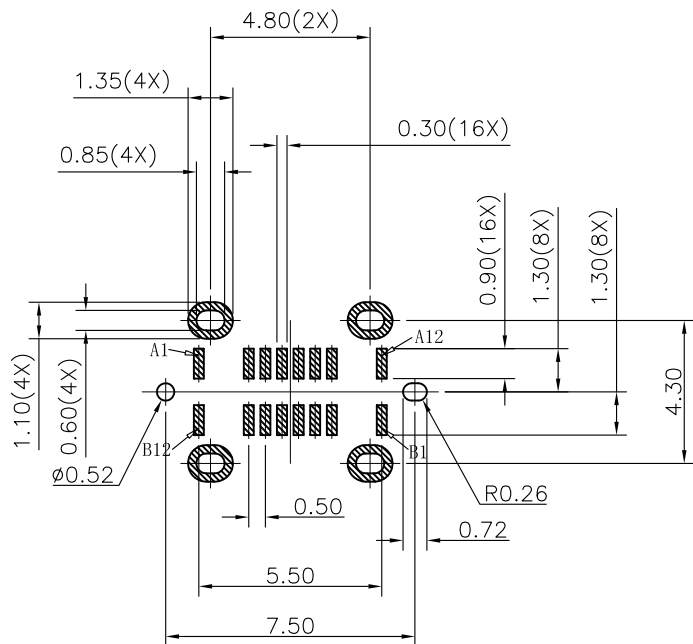
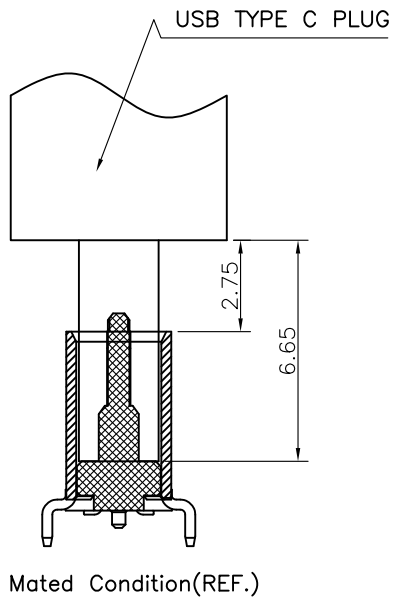
REV	ECN No.	DATE	REMARK
A	NEW	2021.09.29	NEW RELEASE



TYPE:

NO.	DESCRIPTION	MATERIAL	REMARKS	QTY
5	CAP	LCP UL94V-0	BLACK	1PCS
4	SHELL	SUS304 T=0.30mm	NICKEL 30u" MIN PLATING	1PCS
3	SHIELDING PLATE	SUS301 T=0.15mm	---	1PCS
2	CONTACT	C18400-H T=0.12mm	NI 50u" MIN. UNDER PLATED OVER ALL; AU 3u" PLATED ON THE FUNCTIONAL AREA OF CONTACT; PLATING G/F OF THE SOLDER AREA	2SET
1	HOUSING	LCP UL94V-0	BLACK	1PCS

GENERAL TOLERANCES (UNLESS SPECIFIED)		DRAWN BY: Date: HuangXiaoHao 2021.09.29		GOLDCONN TECHNOLOGIES COMPANY LIMITED	
X.XXX	± 0.10	CHECKED BY: Date: liuzongliang 2021.09.29	TITLE USB TYPE-C FEMALE 16PIN VERTICAL TYPE SHELL H5.50(舌片外翻0.55)		
X.X	± 0.20	APPROVED BY: Date: Jacky 2021.09.29	PART NO. SEE THE PART NUMBER CODE	DWG NO. CF116-001-02	
ANGULAR	$\pm 3^\circ$	THIRD ANGLE PROJECTION	UNT mm	SCALE 1:1	DRAWING A4
				SHEET NO. 1 OF 2	REV. A



RECOMMEND P.C.B LAYOUT(COMPONENT SIDE)
TOLERANCE FOR PCB LAYOUT IS ± 0.05

REV	ECN No.	DATE	REMARK
A	NEW	2021.09.29	NEW RELEASE

NOTE:

- 1.ELECTRICAL PERFORMANCE,
 - 1-1. CURRENT RATING:
5 AMPS. FOR TOTAL VBUS/GND PINS;
1.25AMPS FOR CC PIN,
0.25 AMPS. FOR ALL OTHER CONTACT.
 - 1-2. VOLTAGE RATING:20V DC/AC (RMS. MAX)
 - 1-3. CONTACT RESISTANCE:40M Ω MAX INITIAL.
50M Ω MAX AFTER TEST
 - 1-4.DIELECTRIC WITHSTANDING VOLTAGE: 100V AC
 - 1-5.INSULATION RESISTANCE:100M Ω MIN
- 2.MECHANICAL PERFORMANCE,
 - 2-1.INSERTION FORCE: 5~20N.
 - 2-2.EXTRACTION FORCE: 8~20N.
 - 2-3.DURABILITY: 10000 CYCLES.
- 3.ENVIRONMENTAL PERFORMANCE:
OPERATING TEMPERATURE: $-25^{\circ}\text{C}\sim+85^{\circ}\text{C}$.
- 4.IR REFLOW:
THE PEAK TEMPERATURE ON THE BOARD SHALL BE MAINTAINED FOR 10 SECONDS AT 260°C .
- 5.COMPLIANCE WITH ROHS REQUIREMENTS.

Pin Definition:											
PIN No.	A1			A4	A5	A6	A7	A8	A9		A12
SIGNAL NAME	GND			VBUS	CC1	D+	D-	SBU1	VBUS		GND
PIN No.	B12			B9	B8	B7	B6	B5	B4		B1
SIGNAL NAME	GND			VBUS	SBU2	D-	D+	CC2	VBUS		GND

PART NUMBER CODE:

CF116-001 S 1 2 3 4 R - 02

- ① HOUSING MATERIAL: L:LCP
- ② HOUSING COLOR: B:BLACK
- ③ CONTACTS PLATED: 12:Contact Area: Au 3u''
Solder Tails:GF
- ④ PACKING OPTIONS: R:TAPE & REEL

GENERAL TOLERANCES (UNLESS SPECIFIED)	DRAWN BY: HuangXiaoHao	Date: 2021.09.29	GOLDCONN TECHNOLOGIES COMPANY LIMITED		
X.XXX ± 0.10	CHECKED BY: liuzongliang	Date: 2021.09.29	TITLE USB TYPE-C FEMALE 16PIN VERTICAL TYPE SHELL H5.50(舌片外圆0.55)		
X.XX ± 0.20	APPROVED BY: Jacky	Date: 2021.09.29	PART NO. SEE THE PART NUMBER CODE	DWG NO. CF116-001-02	
X.X ± 0.30					
ANGULAR $\pm 3^{\circ}$					
THIRD ANGLE PROJECTION	UNT mm	SCALE 1:1	DRAWING A4	SHEET NO. 2 OF 2	REV. A