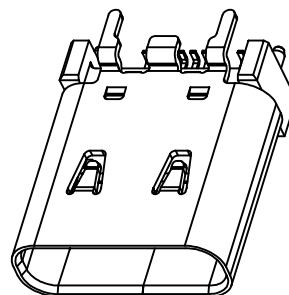
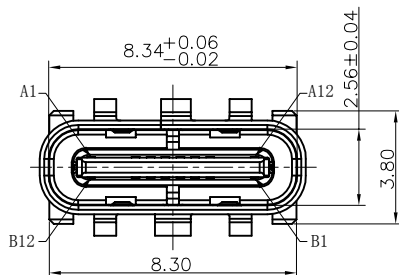
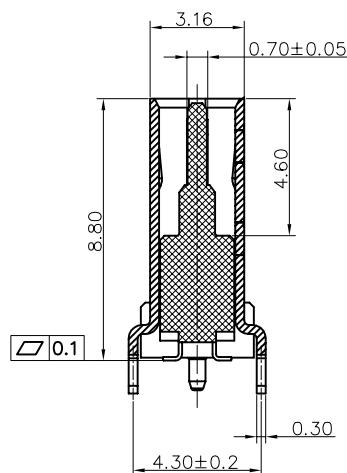
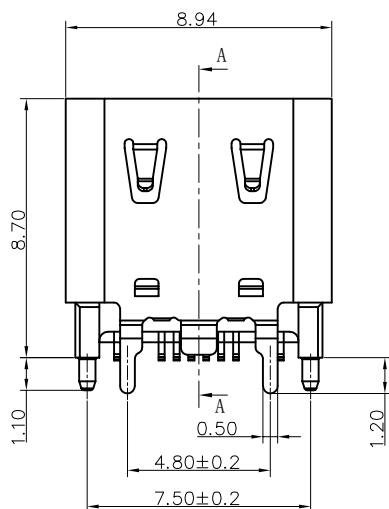


RoHS Compliant

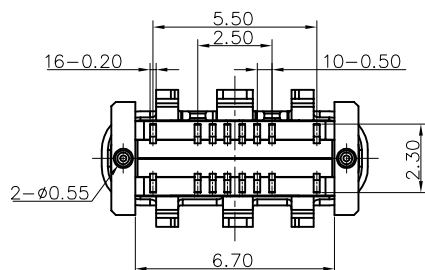
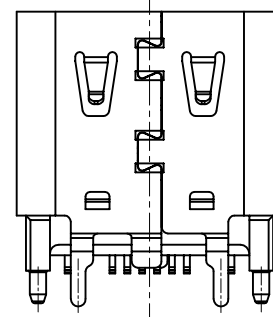
| REV | ECN No. | DATE | REMARK |
|-----|---------|------------|-------------|
| A | NEW | 2022.02.14 | NEW RELEASE |



NOTE:
 1.MATERIAL SPECIFICATION:
 1-1.HOUSING:HIGH TEMPERATURE RESISTANT PLASTIC,UL94 V-0.
 1-2.TERMINAL: COPPER ALLOY
 1-3.MID PLATE: STAINLESS STEEL(SUS301 T=0.15mm)
 1-4.FRONT SHELL: STAINLESS STEEL(SUS304 T=0.3mm)
 2.PLATING SPECIFICATION:
 2-1.TERMINAL:
 Ni 50u" MIN. UNDER PLATED OVER ALL.
 Au PLATED ON THE FUNCTIONAL AREA OF CONTACT.
 (GOLD PLATING THICKNESS FOLLOW THE P/N)
 PLATING SPECIFICATIONS OF THE SOLDER AREA FOLLOW THE P/N
 2-2.FRONT SHELL:
 Ni 30u" MIN. UNDER PLATED OVER ALL.
 2-3.MID PLATE
 CLEAR ONLY
 2-4.EMI PLATE:
 CLEAR ONLY
 3.MECHANICAL PERFORMANCE,
 3-1.INSERTION FORCE: 0.5~2.0kgf.
 3-2.REMOVAL FORCE: 0.8kgf~2.0kgf.
 3-3.DURABILITY: 10000 CYCLES.
 4.ELECTRICAL PERFORMANCE,
 4-1. VOLTAGE RATING:5 V DC/AC (RMS. max)
 CURRENT RATING:5 AMPS. FOR TOTAL VBUS/GND PINS;
 1.25AMPS FOR CC PIN,0.25 AMPS. FOR ALL OTHER CONTACT.
 4-2. LLCR:.
 VBUS & GND PINS AND OTHER PINS: 40mΩ/PIN MAX.
 SHIELD: 50mΩ/MAX.
 LLCR MAX. CHANGE OF ALL PINS: 10mΩ.
 4-3.INSULATION RESISTANCE: 100MΩ MIN
 4-4.DIELECTRIC WITHSTAND VOLTAGE,AC 100V FOR 1 MINUTE.
 5. ENVIRONMENTAL PERFORMANCE:
 OPERATING TEMPERATURE: -25°C~+85°C.
 6.IR REFLOW:
 THE PEAK TEMPERATURE ON THE BOARD SHALL
 BE MAINTAINED FOR 10 SECONDS AT 260°C.



SECTION A-A
SCALE 1:1



7.PART NUMBER CODE: (产品料号)

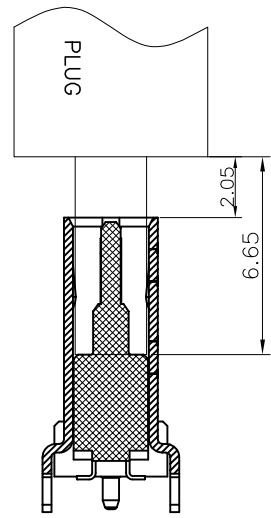
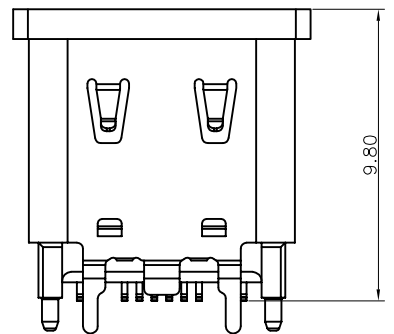
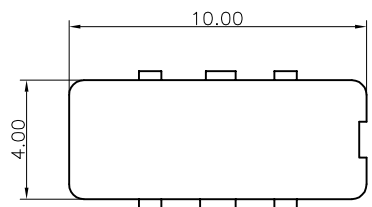
CF 1 16 - 011 S X X XX R - 02
(1)(2) (3) (4) (5) (6)

- | | |
|-------------------------|--|
| (1) 产品形态: 1:180度直立式 | (3)HOUSING MATERIAL: L:LCP |
| (2)Pin No.: 16:16PIN | (4)HOUSING COLOR: B:BLACK |
| | (5) CONTACTS PLATED: 12:接触镀金Au*其它GF |
| | (6) PACKING OPTIONS R:TAPE & REEL |

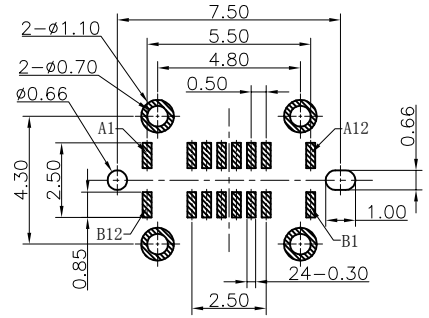
| | | | | | | |
|--|--|---------------------------------------|-----------------------------------|------------------------|----------------------|---------------------------|
| PART NO.: SEE THE PART NUMBER CODE | | GOLDCONN TECHNOLOGIES COMPANY LIMITED | | DRAWN BY SAM | DATE 2022.02.14 | |
| QUALITY SYMBOL 0 ∇ 0 = 0 ∇ 0 | GENERAL TOLERANCES (UNLESS SPECIFIED) | | TITLE TYPE C母座16P 直立式SMT H=8.8 | | | |
| | x.xxxx | ± --- | DWG.NO. CF116-010-02 | SHEET NO. 1 OF 2 | CHECKED BY JAY | DATE 2022.02.14 |
| | x.xxx | ± 0.10 | | | APPROVED BY JACKY | DATE 2022.02.14 |
| | x.xx | ± 0.20 | DIMENSION STYLE MM ONLY | DESIGN UNITS METRIC | SCALE 1:1 | THIRD ANGLE PROJECTION |
| x.x | ± 0.30 | | | | | |
| ANGULAR | ± ---° | | | | | |

frame size: A4

WITH PICK UP COVER



AFTER MATING



RECOMMEND P.C.B LAYOUT (COMPONENT SIDE)
TOLERANCE FOR PCB LAYOUT IS ±0.05

USB TYPE C PIN ASSIGNMENTS

| PIN NUMBER | SIGNAL NAME | PIN NUMBER | SIGNAL NAME |
|------------|-------------|------------|-------------|
| A1 | GND | B12 | GND |
| A4 | VBUS | B9 | VBUS |
| A5 | CC1 | B8 | SBU2 |
| A6 | DP1 | B7 | DN2 |
| A7 | DN1 | B6 | DP2 |
| A8 | SBU1 | B5 | CC2 |
| A9 | VBUS | B4 | VBUS |
| A12 | GND | B1 | GND |

| | | | | | |
|--|---------------------------------------|---------------------------------------|----------------------------------|----------------------|------------------------|
| PART NO.: SEE THE PART NUMBER CODE | | GOLDCONN TECHNOLOGIES COMPANY LIMITED | | DRAWN BY SAM | DATE 2015.05.10 |
| QUALITY SYMBOL 0 ∇ 0 = 0 ∇ 0 | GENERAL TOLERANCES (UNLESS SPECIFIED) | | TITLE TYPE C母座16P直立式SMT H=8.8 | | |
| | x.xxxx | ± --- | DWG.NO. CF116-010-02 | SHEET NO. 2 OF 2 | |
| | x.xxx | ± 0.10 | | APPROVED BY JACKY | |
| | x.xx | ± 0.20 | DATE 2015.05.10 | | THIRD ANGLE PROJECTION |
| x.x | ± 0.30 | SCALE 1:1 | | | |
| ANGULAR | ± ---° | DIMENSION STYLE MM ONLY | DESIGN UNITS METRIC | frame size: A4 | |