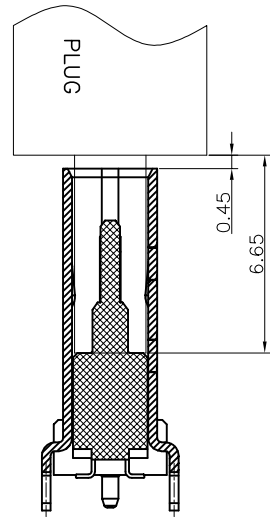
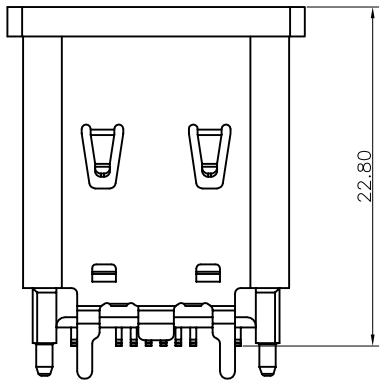
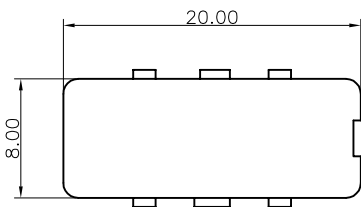


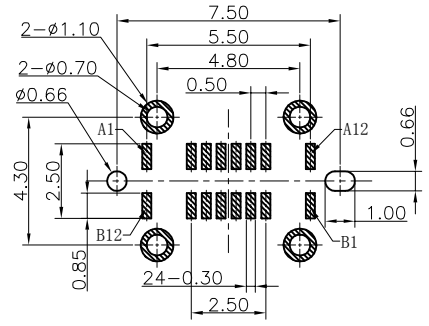
F
E
D
C
B
A

F
E
D
C
B
A

WITH PICK UP COVER



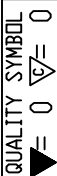
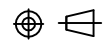
AFTER MATING



RECOMMEND P.C.B LAYOUT(COMPONENT SIDE)
TOLERANCE FOR PCB LAYOUT IS ±0.05

USB TYPE C PIN ASSIGNMENTS

| PIN NUMBER | SIGNAL NAME | PIN NUMBER | SIGNAL NAME |
|------------|-------------|------------|-------------|
| A1 | GND | B12 | GND |
| A4 | VBUS | B9 | VBUS |
| A5 | CC1 | B8 | SBU2 |
| A6 | DP1 | B7 | DN2 |
| A7 | DN1 | B6 | DP2 |
| A8 | SBU1 | B5 | CC2 |
| A9 | VBUS | B4 | VBUS |
| A12 | GND | B1 | GND |

| | | | | | |
|---|---|---------------------------------------|---------------------|--|--------------------|
| QUALITY SYMBOL  | PART NO.: SEE THE PART NUMBER CODE | GOLDCONN TECHNOLOGIES COMPANY LIMITED | DRAWN BY SAM | DATE 2015.05.10 | |
| | GENERAL TOLERANCES (UNLESS SPECIFIED) | TITLE TYPE C母座16P直立式SMT H=10.4 | CHECKED BY JAY | DATE 2015.05.10 | |
| | x.xxxx ± --- x.xxx ± 0.10 x.xx ± 0.20 x.x ± 0.30 ANGULAR ± ---° | DWG.NO. CF116-013-02 | SHEET NO. 2 OF 2 | APPROVED BY JACKY | DATE 2015.05.10 |
| | DIMENSION STYLE MM ONLY | DESIGN UNITS METRIC | SCALE 1:1 |  THIRD ANGLE PROJECTION | |