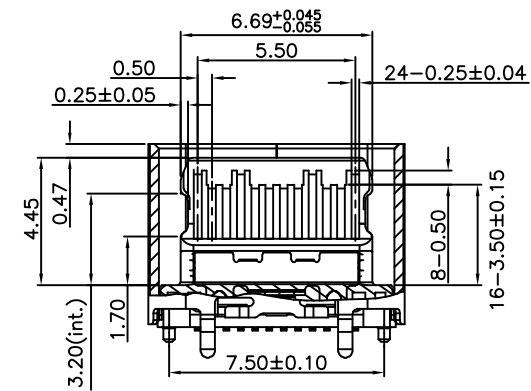
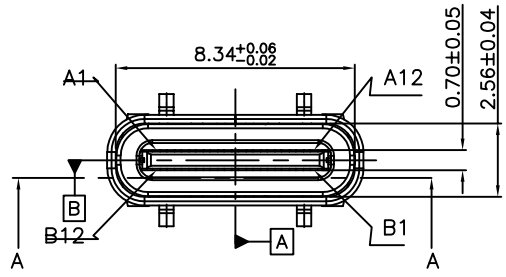


TID NO.

3732

REV	ECN No.	DATE	REMARK
A	NEW	2019.11.21	NEW RELEASE
B	---	2024.05.03	图框更新



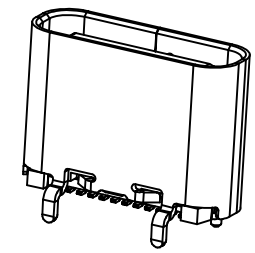
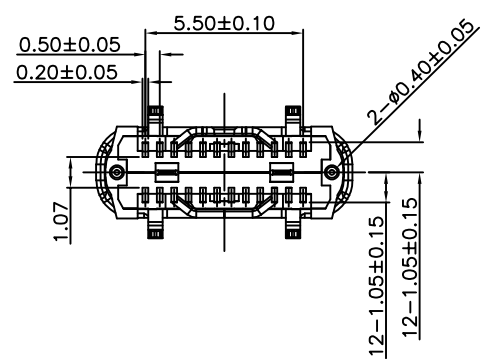
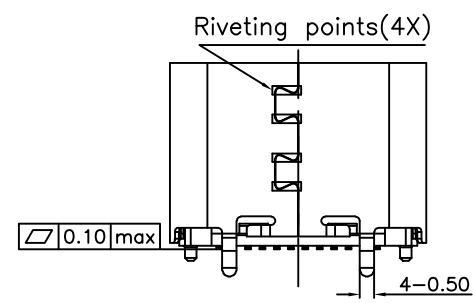
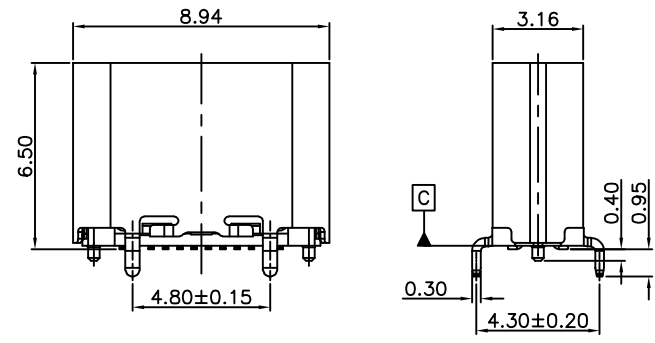
SECTION A-A
SCALE 1:1

NOTE:

- ELECTRICAL PERFORMANCE,
 - CURRENT RATING:5 AMPS. FOR TOTAL VBUS/GND PINS; 1.25AMPS FOR CC PIN,0.25 AMPS. FOR ALL OTHER CONTACT.
 - VOLTAGE RATING:20V DC/AC (RMS. MAX)
 - LLCR:
 - VBUS & GND PINS AND OTHER PINS: 40MΩ/PIN MAX.
 - SHIELD:50MΩ/MAX.
 - LLCR MAX. CHANGE OF ALL PINS: 10MΩ.
 - INSULATION RESISTANCE: 100MΩ MIN
 - DIELECTRIC WITHSTAND VOLTAGE,AC 100V FOR 1 MINUTE.
- MECHANICAL PERFORMANCE,
 - INSERTION FORCE: 5~20N.
 - EXTRACTION FORCE: 8~20N.
 - DURABILITY: 10000 CYCLES.
- ENVIRONMENTAL PERFORMANCE:
 - OPERATING TEMPERATURE: -25°C~+85°C.
- IR REFLOW:
 - THE PEAK TEMPERATURE ON THE BOARD SHALL BE MAINTAINED FOR 10 SECONDS AT 260°C.
- COMPLIANCE WITH ROHS REQUIREMENTS.
- SALT SPRAY:48H
- PART NUMBER CODE:

CF	1	22	-	24	S	X	X	XX	R
	(1)	(2)	(3)	(4)	(5)	(6)			

 - Product type:
 - 1:直立式
 - Pin No.:
 - 24:24Pin
 - HOUSING MATERIALS:
 - L:LCP
 - HOUSING COLOR:
 - B:BLACK
 - CONTACTS PLATED:
 - 12>Contact Area: Au 3u"
 - Solder Tails:GF
 - PACKING OPTIONS:
 - R:TAPE & REEL
 - T:Tray



PIN DEFINITION:

PIN No.	A1	A2	A3	A4	A5	A6	A7	A8	A9	A10	A11	A12
SIGNAL NAME	GND	TX1+	TX1-	VBUS	CC1	D+	D-	SBU1	VBUS	RX2-	RX2+	GND

PIN No.	B12	B11	B10	B9	B8	B7	B6	B5	B4	B3	B2	B1
SIGNAL NAME	GND	RX1+	RX1-	VBUS	SBU2	D-	D+	CC2	VBUS	TX2-	TX2+	GND

TABLE:

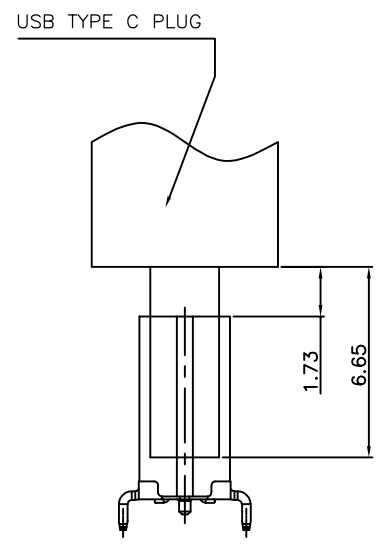
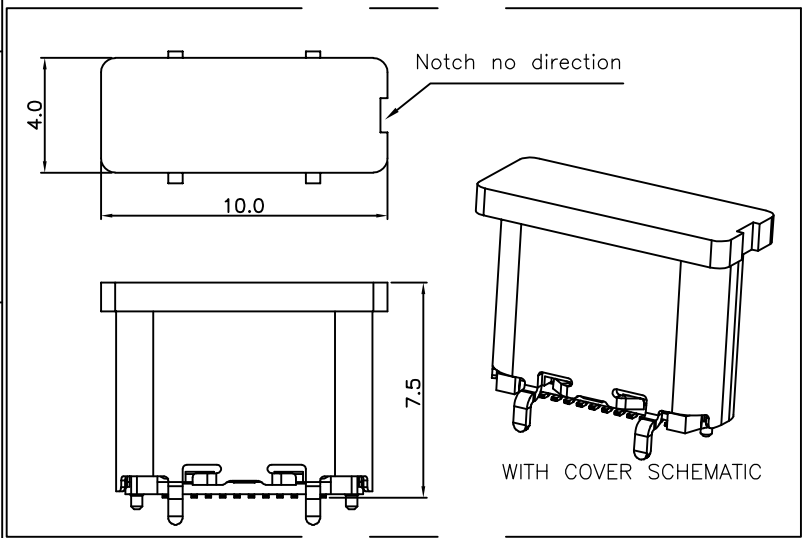
NO	PART	Q'TY	Material
1	SHELL	1	STAINLESS STEEL 304, NI 30u" MIN PLATED
2	EMI Plate	1	STAINLESS STEEL 301, NO PLATED
3	Mid Plate	1	STAINLESS STEEL 301, NO PLATED
4	CONTACT	24	COPPER ALLOY C18150,Au Plated On Vontact Area GF Plated On Solder Area;Nickel 50u"Min Underplating Over All.
5	HOUSING	1	LCP BLACK UL94 V-0

PART NO.:	DRAWN BY:	GOLDCONN TECHNOLOGIES COMPANY LIMITED
SEE THE PART NUMBER CODE	HuangXiaoHao	
GENERAL TOLERANCES	CHECKED BY:	TITLE USB TYPE C FEMALE 24PIN VERTICAL TYPE SHELL H6.50mm
x.xxxx	± ---	
x.xxx	± 0.10	
x.xx	± 0.25	
x.x	± 0.30	APPROVED BY: Jacky
ANGULAR	± 3'	THIRD ANGLE PROJECTION

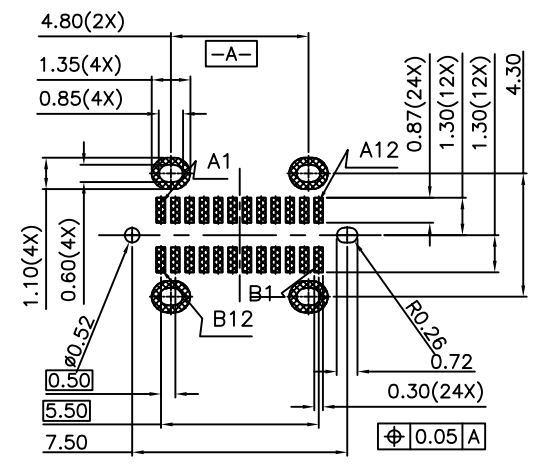
DIMENSIONS	SCALE	DRAWING	SHEET NO.	DWG.NO.
mm	1:1	A4	1 OF 1	CF122-24-C3

TID NO. 3732

REV	ECN No.	DATE	REMARK
A	NEW	2019.11.21	NEW RELEASE
B	---	2024.05.03	图框更新



FEMALE AND MALE MATCHING DRAWING



RECOMMENDED PCB LAYOUT(TOP VIEW)
THICKNESS 0.8±0.10MM;DEFAULT TOLERANCE:±0.05

PART NO.:		DRAWN BY:		GOLDCONN TECHNOLOGIES COMPANY LIMITED				
SEE THE PART NUMBER CODE		HuangXiaoHao						
GENERAL TOLERANCES		CHECKED BY:		TITLE USB TYPE C FEMALE 24PIN VERTICAL TYPE SHELL H6.50mm				
x.xxxx	± ---	liuzongliang						
x.xxx	± 0.10	APPROVED BY:						
x.xx	± 0.25	Jacky						
x.x	± 0.30	THIRD ANGLE PROJECTION		DIMENSIONS	SCALE	DRAWING	SHEET NO.	DWG.NO.
ANGULAR	± 3'			mm	1:1	A4	1 OF 1	CF122-24-C3