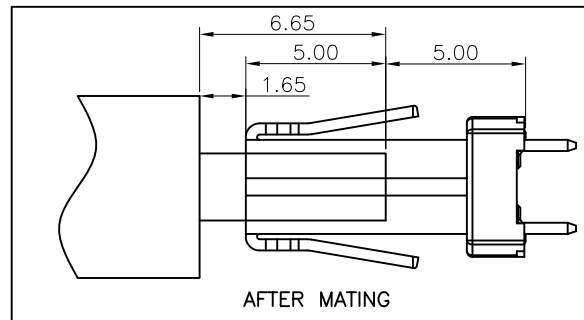
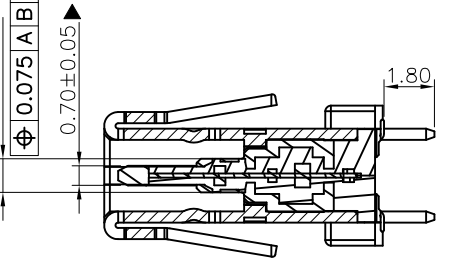
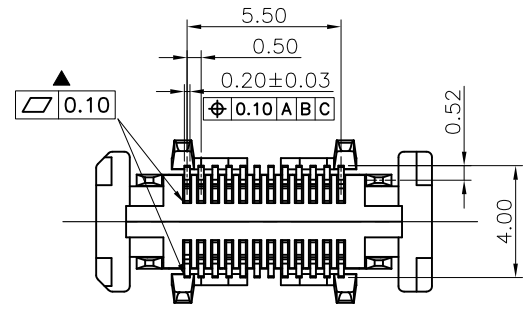
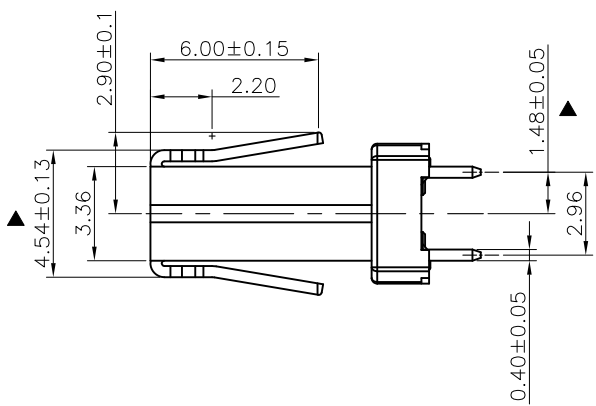
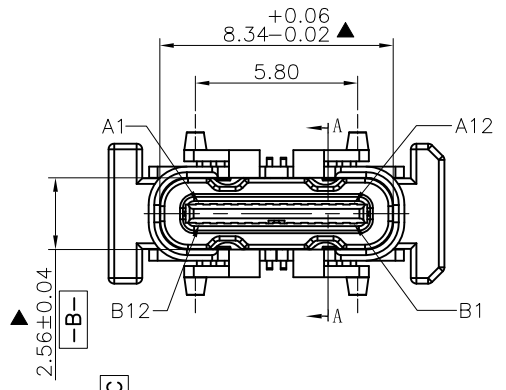
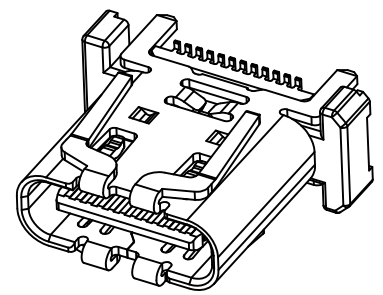
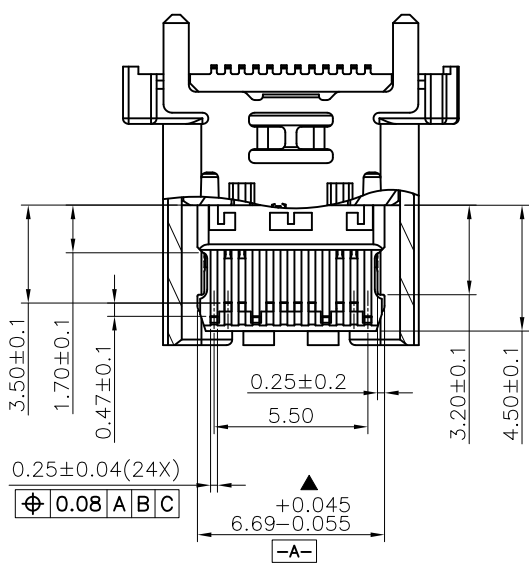
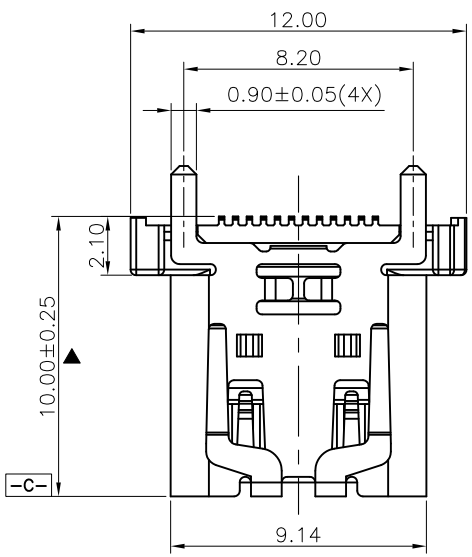


REV	ECN No.	DATE	REMARK
A	NEW	2023.05.25	NEW RELEASE



PIN DEFINITION:

PIN No.	A1	A2	A3	A4	A5	A6	A7	A8	A9	A10	A11	A12
SIGNAL NAME	GND	TX1+	TX1-	VBus	CC1	D+	D-	SBU1	VBus	RX2-	RX2+	GND

PIN No.	B12	B11	B10	B9	B8	B7	B6	B5	B4	B3	B2	B1
SIGNAL NAME	GND	RX1+	RX1-	VBus	SBU2	D-	D+	CC2	VBus	TX2-	TX2+	GND

TABLE:

NO	PART	Q'TY	Material
1	SHELL	1	STAINLESS STEEL 304, NI 50u" MIN PLATED
2	Mid Plate	1	STAINLESS STEEL 301, NO PLATED
3	CONTACT	24	COPPER ALLOY C18150,Au Plated On Vontact Area GF Plated On Solder Area;Nickel 50u"Min Underplating Over All.
4	HOUSING	1	PA9T BLACK UL94 V-0

PART NO.:	DRAWN BY:	GOLDCONN TECHNOLOGIES COMPANY LIMITED
SEE THE PART NUMBER CODE	HuangXiaoHao	
GENERAL TOLERANCES	CHECKED BY:	TITLE
x.xxxx ± ---	liuzongliang	USB TYPE-C 24P 直立式H=10.0四脚插板外壳带弹
x.xxx ± 0.10	APPROVED BY:	DIMENSIONS SCALE DRAWING SHEET NO. DWG.NO.
x.xx ± 0.25	Jacky	
x.x ± 0.30		
ANGULAR ± 3°	THIRD ANGLE PROJECTION	mm 1:1 A4 1 OF 2 CF124-019-01

REV	ECN No.	DATE	REMARK
A	NEW	2023.05.25	NEW RELEASE

NOTE:

1.ELECTRICAL PERFORMANCE,
1-1. CURRENT RATING:5 AMPS. FOR TOTAL VBUS/GND PINS;
1.25AMPS FOR CC PIN,
0.25 AMPS. FOR ALL OTHER CONTACT.
1-2. VOLTAGE RATING:20V DC/AC (RMS. MAX)
1-3. LLCR:.
VBUS & GND PINS AND OTHER PINS: 40MΩ/PIN MAX.
SHIELD:50MΩ/MAX.
LLCR MAX. CHANGE OF ALL PINS: 10MΩ.
1-4.INSULATION RESISTANCE: 100MΩ MIN
1-5.DIELECTRIC WITHSTAND VOLTAGE,AC 100V FOR 1 MINUTE.

2.MECHANICAL PERFORMANCE,
2-1.INSERTION FORCE: 5~20N.
2-2.EXTRACTION FORCE: 8~20N.
2-3.DURABILITY: 10000 CYCLES.

3.ENVIRONMENTAL PERFORMANCE:
OPERATING TEMPERATURE: -25°C~+85°C.

4.IR REFLOW:
THE PEAK TEMPERATURE ON THE BOARD SHALL
BE MAINTAINED FOR 10 SECONDS AT 260°C.

5.COMPLIANCE WITH ROHS REQUIREMENTS.

6.SALT SPRAY:48H

7. With "▲" for the key control size

6.PART NUMBER CODE:

CF 1 24 - 019 S C B 12 R - 01

PACKING OPTIONS:
R:TAPE & REEL

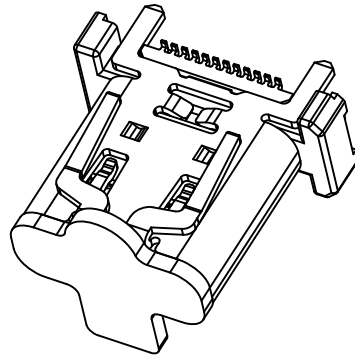
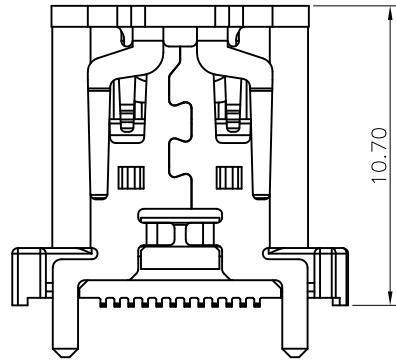
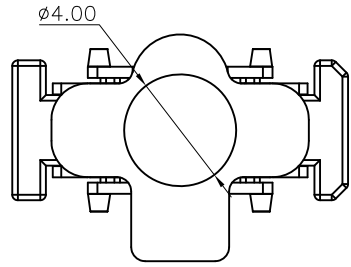
CONTACTS PLATED:
12>Contact Area: Au 3u"
Solder Tails:GF

HOUSING COLOR:
B:BLACK

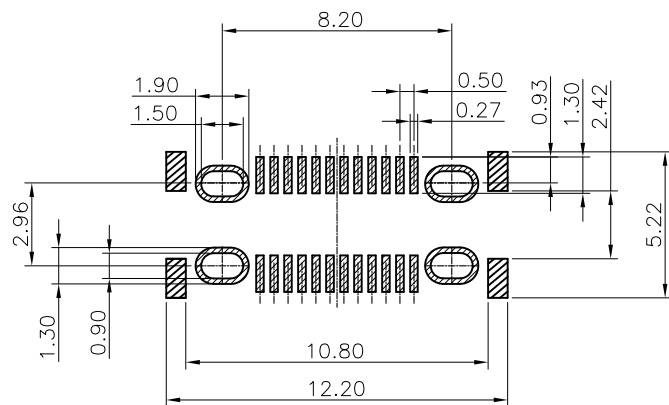
HOUSING MATERIALS:
C:PA9T

Pin No.:
24:24Pin

Product type:
1:VERTICAL



ASSEMBLY WITH COVER



RECOMMENDED PCB LAYOUT(TOP VIEW)
THICKNESS 1.0±0.10MM;DEFAULT TOLERANCE:±0.05

PART NO.:		DRAWN BY:		GOLDCONN TECHNOLOGIES COMPANY LIMITED					
SEE THE PART NUMBER CODE		HuangXiaoHao							
GENERAL TOLERANCES		CHECKED BY:		TITLE					
x.xxxx ± ---		liuzongliang							
x.xxx ± 0.10		APPROVED BY:		USB TYPE-C 24P直立式H=10.0四脚插板外壳带弹					
x.xx ± 0.25		Jacky							
x.x ± 0.30		THIRD ANGLE PROJECTION		DIMENSIONS		SCALE	DRAWING	SHEET NO.	DWG.NO.
ANGULAR ± 3'				mm		1:1	A4	2 OF 2	CF124-019-01