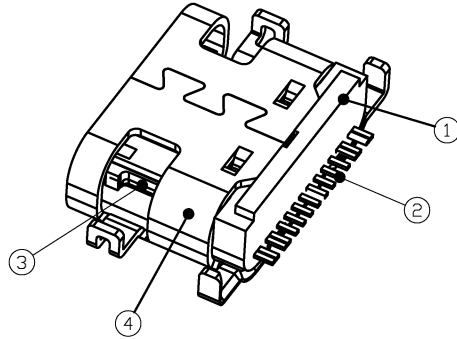
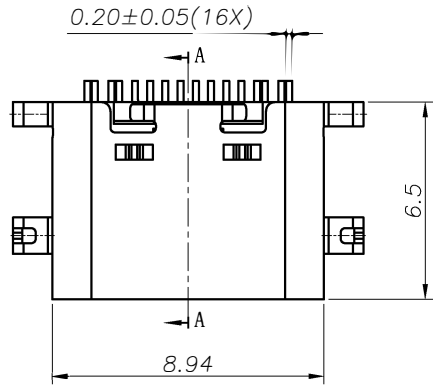
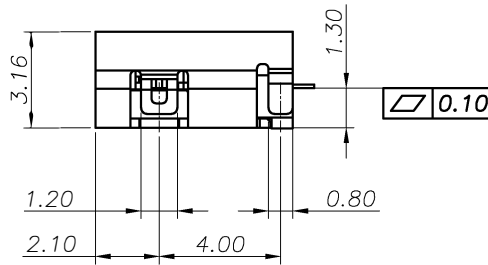
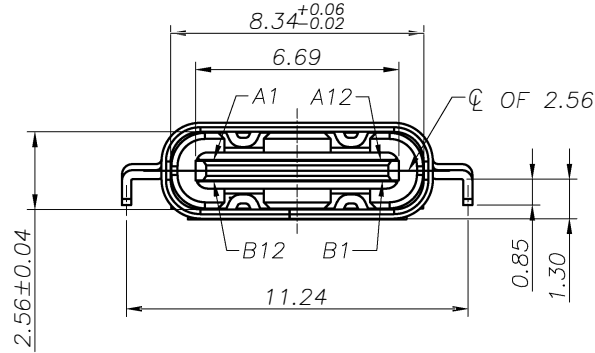


REV	ECN No.	DATE	REMARK
A0	NEW	2017.10.13	NEW RELEASE
A	--	2019.05.25	UPDATE THE DRAWING



NOTE:

- MATERIAL SPECIFICATION:
 - HOUSING:HIGH TEMPERATURE RESISTANT PLASTIC,UL94 V-0.
 - CONTACTS:COPPER ALLOY
 - MID PLATE: STAINLESS STEEL
 - FRONT SHELL: STAINLESS STEEL
- PLATING SPECIFICATION:
 - CONTACTS:
 - Ni 50u" MIN. UNDER PLATED OVER ALL.
 - Au PLATED ON THE FUNCTIONAL AREA OF CONTACT. (GOLD PLATING THICKNESS FOLLOW THE P/N)
 - PLATING SPECIFICATIONS OF THE SOLDER AREA FOLLOW THE P/N
 - FRONT SHELL:
 - Ni 30u" MIN. UNDER PLATED OVER ALL.
 - MID PLATE:
 - CLEAR ONLY
- MECHANICAL PERFORMANCE,
 - INSERTION FORCE: 0.5~2.0kgf.
 - REMOVAL FORCE: 0.8kgf~2.0kgf.
 - DURABILITY: 10000 CYCLES.
- ELECTRICAL PERFORMANCE,
 - CURRENT RATING:5.0A
VOLTAGE RATING:5.0V
 - LLCR:
 - VBUS & GND PINS AND OTHER PINS: 40mΩ/PIN MAX.
 - SHIELD: 50mΩ/MAX.
 - LLCR MAX. CHANGE OF ALL PINS: 10mΩ.
 - INSULATION RESISTANCE: 100MΩ MIN
 - DIELECTRIC WITHSTAND VOLTAGE,AC 100V FOR 1 MINUTE.
- ENVIRONMENTAL PERFORMANCE:
 - OPERATING TEMPERATURE: -25°C~+85°C.
- IR REFLOW:
 - THE PEAK TEMPERATURE ON THE BOARD SHALL BE MAINTAINED FOR 10 SECONDS AT 260°C.



8. PART NUMBER CODE:

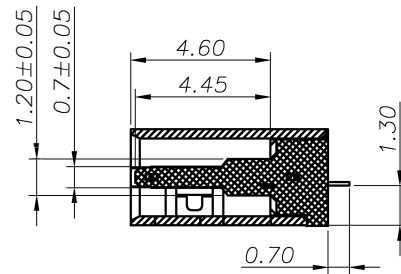
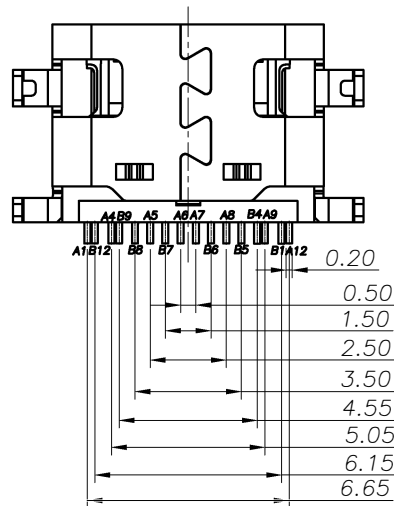
CF129 - 16 S L X XX R - 01
(1) (2)

(1) HOUSING COLOR:

B:BLACK

(2) CONTACTS PLATED:

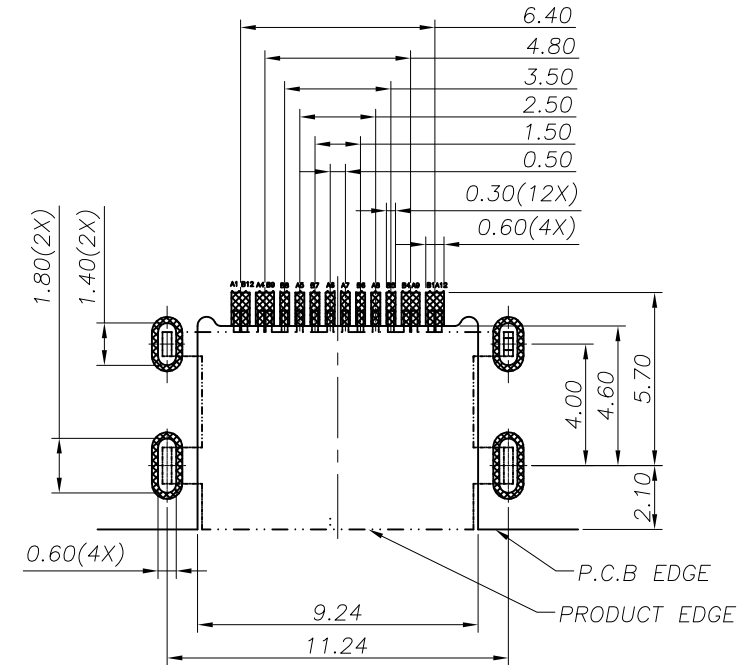
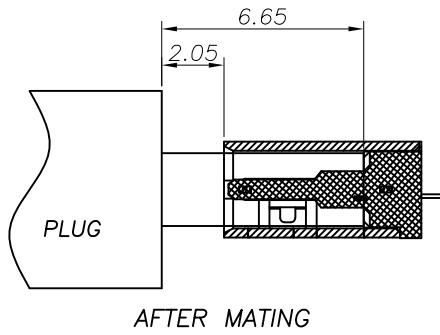
12:接触镀金 3u"焊接区域镀金 1u"



SECTION:A-A

PART NO.: SEE THE PART NUMBER CODE		GOLDCONN TECHNOLOGIES COMPANY LIMITED		DRAWN BY SAM	DATE 2019.05.25
GENERAL TOLERANCES (UNLESS SPECIFIED)		TITLE USB CF 16PIN (L=6.5)MID-MOUNT 1.30mm		CHECKED BY JAY	DATE 2019.05.25
QUALITY SYMBOL	0	x.xxxx	± ---	APPROVED BY JACKY	DATE 2019.05.25
	0	x.xxx	± 0.10	SHEET NO. 1 OF 3	
	0	x.xx	± 0.25	SCALE 1:1	
	0	x.x	± 0.30	THIRD ANGLE PROJECTION	
	0	ANGULAR	± --°	frame size: A4	

REV	ECN No.	DATE	REMARK
A0	NEW	2017.10.13	NEW RELEASE
A	--	2019.05.25	UPDATE THE DRAWING



USB TYPE-C PIN ASSIGNMENTS

PIN NUMBER	SIGNAL NAME	PIN NUMBER	SIGNAL NAME
A1	GND	B12	GND
A4	VBUS	B9	VBUS
A5	CC1	B8	SBU2
A6	Dp1	B7	Dn2
A7	Dn1	B6	Dp2
A8	SBU1	B5	CC2
A9	VBUS	B4	VBUS
A12	GND	B1	GND

PART NO.: SEE THE PART NUMBER CODE		GOLDCONN TECHNOLOGIES COMPANY LIMITED		DRAWN BY SAM	DATE 2019.05.25
GENERAL TOLERANCES (UNLESS SPECIFIED) x.xxxx ± --- x.xxx ± 0.10 x.xx ± 0.25 x.x ± 0.30 ANGULAR ± --°		TITLE USB CF 16PIN (L=6.5)MID-MOUNT 1.30mm		CHECKED BY JAY	DATE 2019.05.25
		DWG.NO. CF129-16-01		SHEET NO. 2 OF 3	APPROVED BY JACKY
QUALITY SYMBOL = 0 ∇ = 0		DIMENSION STYLE MM ONLY	DESIGN UNITS METRIC	SCALE 1:1	THIRD ANGLE PROJECTION

