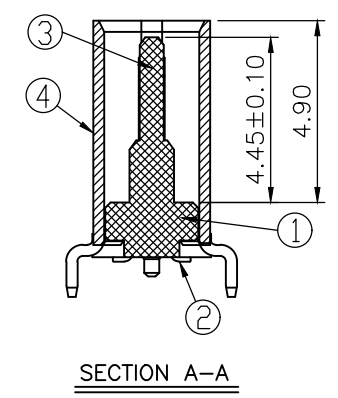
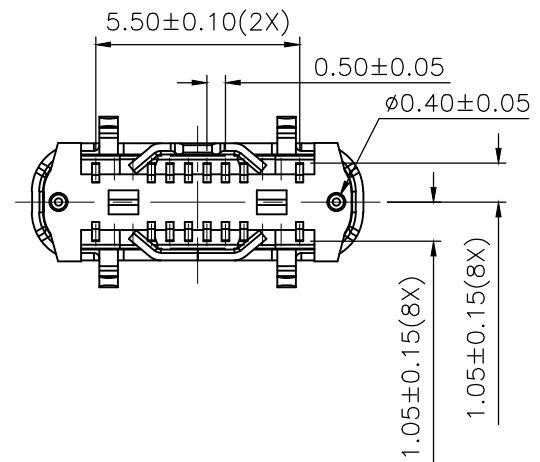
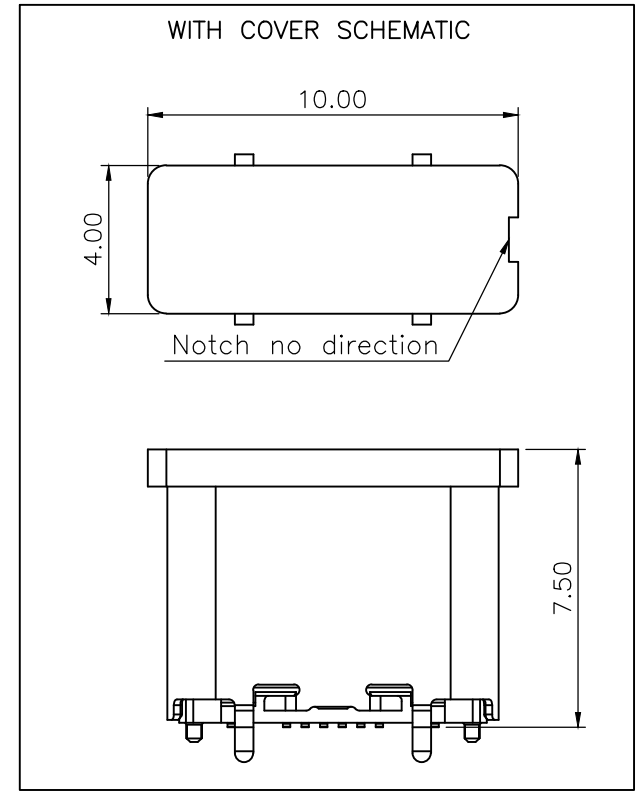
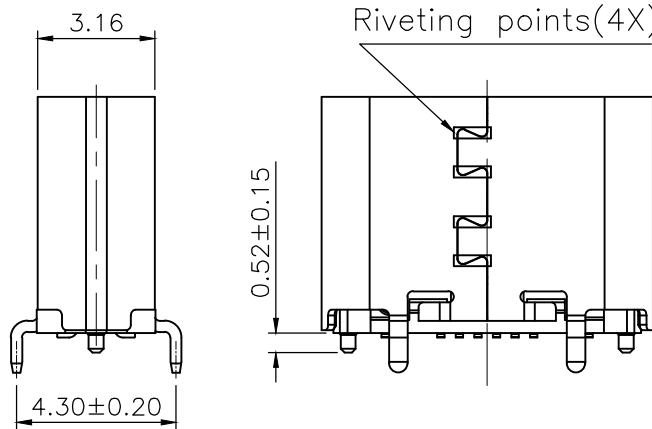
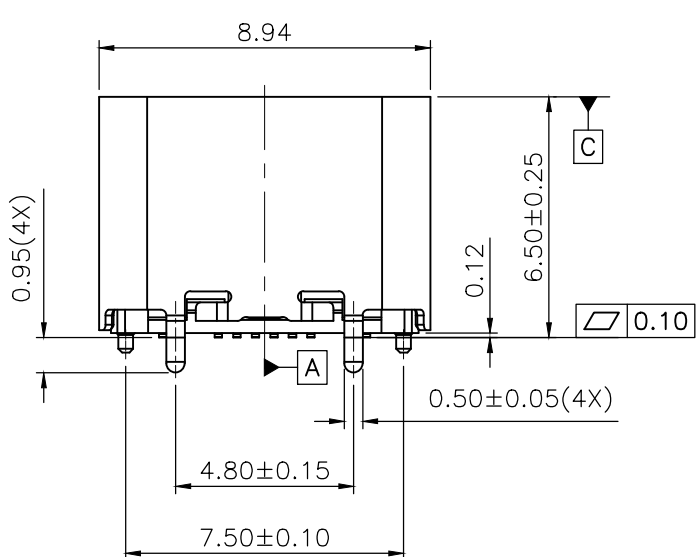
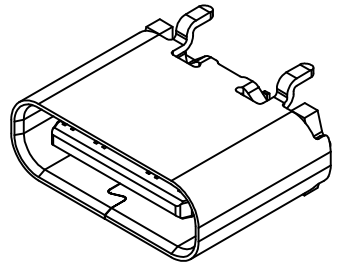
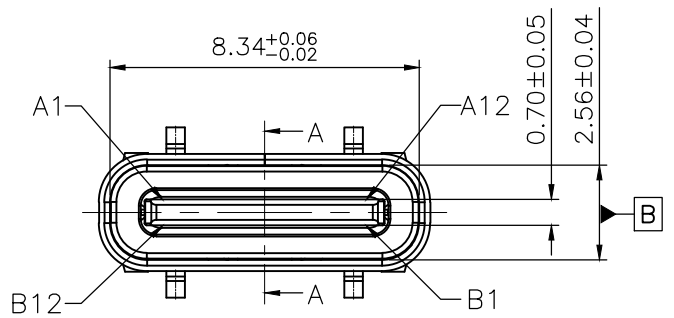


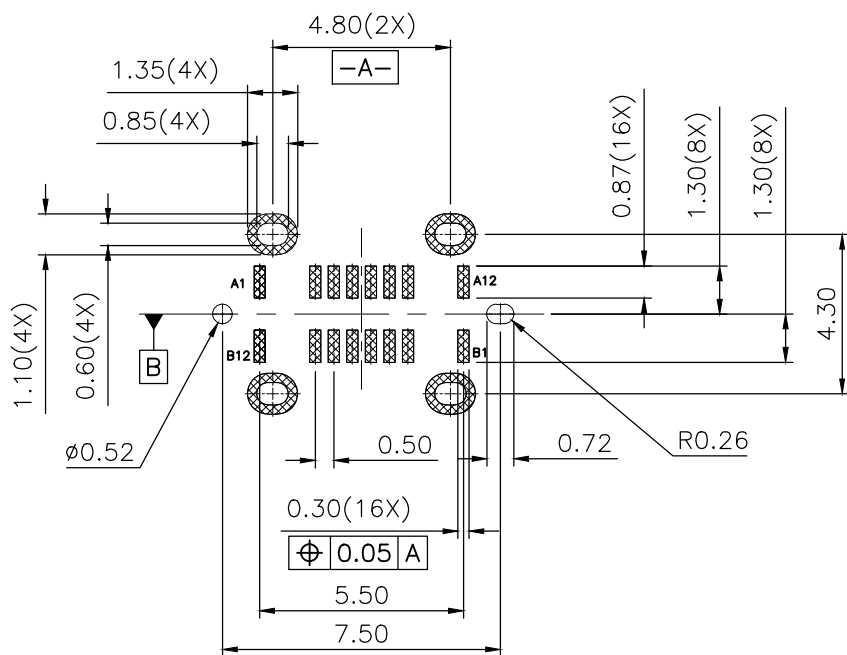
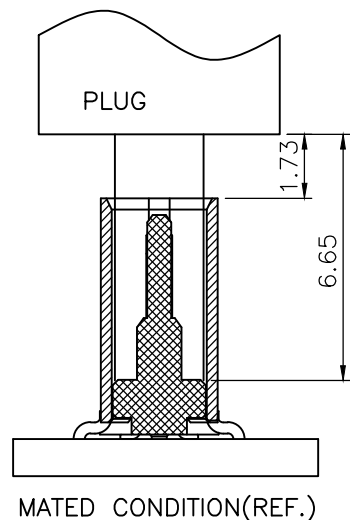
REV	ECN No.	DATE	REMARK
A	NEW	2020.08.03	NEW RELEASE
B	ECR231004-001	2023.10.04	优化产品结构满足自动机生产和模具生产需求



TYPE:

5	CAP	LCP UL94V-0	BLACK	
4	SHELL	SUS304 T=0.30mm	NICKEL 30u" MIN PLATING	1PCS
3	SHIELDING PLATE	SUS301 T=0.15mm	---	1PCS
2	CONTACT	C18400-H T=0.12mm	Au Plated On Contact Area GF Plated On Solder Area; Nickel 50u"Min Underplating Over All.	2SET
1	HOUSING	LCP UL94V-0	BLACK	1PCS
NO.	DESCRIPTION	MATERIAL	REMARKS	QTY

GENERAL TOLERANCES (UNLESS SPECIFIED)		DRAWN BY: Date: HuangXiaoHao 2023.10.04		GOLDCONN TECHNOLOGIES COMPANY LIMITED	
X.XXX	±0.10	CHECKED BY: Date: liuzongliang 2023.10.04		TITLE USB TYPE C FEMALE 16PIN VERTICAL TYPE SHELL H6.50mm	
X.XX	±0.25	APPROVED BY: Date: Jacky 2023.10.04		PART NO. SEE THE PART NUMBER CODE	
X.X	±0.30			DWG NO. CF136-16-01	
ANGULAR	±3'				
THIRD ANGLE PROJECTION	UNT	SCALE	DRAWING	SHEET NO.	REV.
	mm	1:1	A4	1 OF 2	A



RECOMMENDED PCB LAYOUT(TOP VIEW)

THICKNESS 0.8±0.10MM;DEFAULT TOLERANCE:±0.05

REV	ECN No.	DATE	REMARK
A	NEW	2020.08.03	NEW RELEASE
B	ECR231004-001	2023.10.04	优化产品结构满足自动机生产和模具生产需求

NOTE:

- 1.ELECTRICAL PERFORMANCE,
 - 1-1. CURRENT RATING:5 AMPS. FOR TOTAL VBUS/GND PINS;
1.25AMPS FOR CC PIN,
0.25 AMPS. FOR ALL OTHER CONTACT.
 - 1-2. VOLTAGE RATING:20V DC/AC (RMS. MAX)
 - 1-3. LLCR:.
VBUS & GND PINS AND OTHER PINS: 40MΩ/PIN MAX.
SHIELD:50MΩ/MAX.
LLCR MAX. CHANGE OF ALL PINS: 10MΩ.
 - 1-4.INSULATION RESISTANCE: 100MΩ MIN
 - 1-5.DIELECTRIC WITHSTAND VOLTAGE,AC 100V FOR 1 MINUTE.
- 2.MECHANICAL PERFORMANCE,
 - 2-1.INSERTION FORCE: 5~20N.
 - 2-2.EXTRACTION FORCE: 8~20N.
 - 2-3.DURABILITY: 10000 CYCLES.
- 3.ENVIRONMENTAL PERFORMANCE:
OPERATING TEMPERATURE: -25°C~+85°C.
- 4.IR REFLOW:
THE PEAK TEMPERATURE ON THE BOARD SHALL BE MAINTAINED FOR 10 SECONDS AT 260°C.
- 5.COMPLIANCE WITH ROHS & HFREQUIREMENTS.
- 6.SALT SPRAY:48H

TID NO. 5304

IEC62680-1-3 B2401N000153-001-COM

PART NUMBER CODE:

CF136-16 L B 12 R - 01

① ② ③ ④

- | | |
|------------------------------|--|
| ① HOUSING MATERIAL:
L:LCP | ③ CONTACTS PLATED:
12:CONTACT AREA: AU 3U"
SOLDER TAILS:GF |
| ② HOUSING COLOR:
B:BLACK | ④ PACKING OPTIONS
R:TAPE & REEL |

PIN DEFINITION:

PIN No.	A1	A4	A5	A6	A7	A8	A9	A12
SIGNAL NAME	GND	VBUS	CC1	D+	D-	SBU1	VBUS	GND

PIN No.	B12	B9	B8	B7	B6	B5	B4	B1
SIGNAL NAME	GND	VBUS	SBU2	D-	D+	CC2	VBUS	GND

GENERAL TOLERANCES (UNLESS SPECIFIED)	DRAWN BY: HuangXiaoHao	Date: 2023.10.04	GOLDCONN TECHNOLOGIES COMPANY LIMITED		
X.XXX ±0.10	CHECKED BY: liuzongliang	Date: 2023.10.04	TITLE USB TYPE C FEMALE 16PIN VERTICAL TYPE SHELL H6.50mm		
X.X ±0.25	APPROVED BY: Jacky	Date: 2023.10.04	PART NO. SEE THE PART NUMBER CODE	DWG NO. CF136-16-01	
ANGULAR ±3°	THIRD ANGLE PROJECTION	UNT	SCALE	DRAWING	SHEET NO.
		mm	1:1	A4	2 OF 2
					REV. A