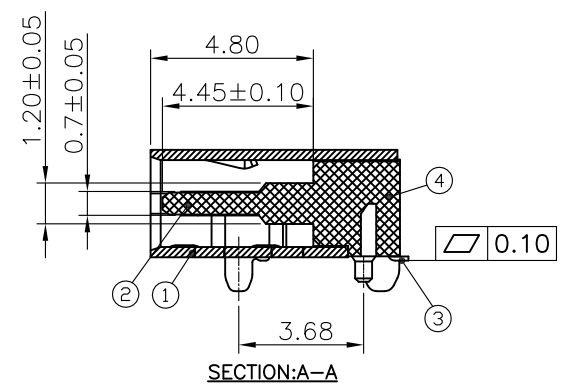
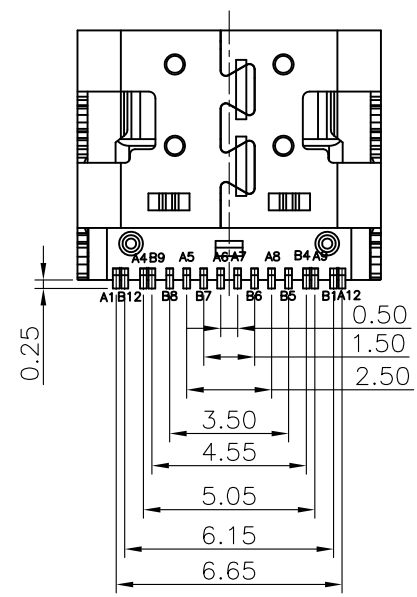
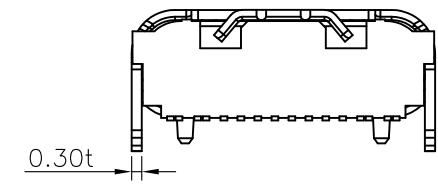
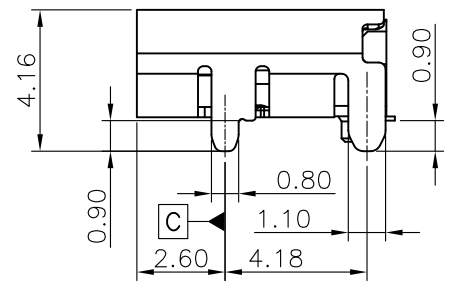
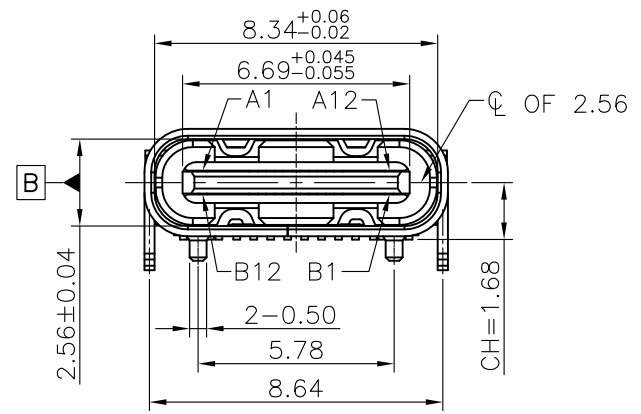
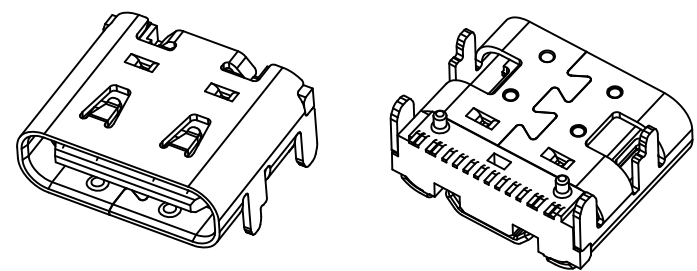
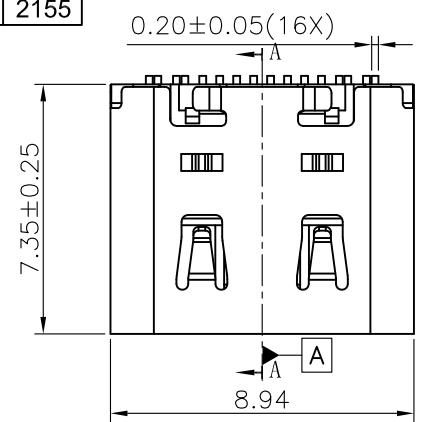


TID NO. 2155

REV	ECN No.	DATE	REMARK
A0	NEW	2019.01.10	NEW RELEASE
B	ECN202106001	2021.06.05	增加脚长1.2规格
C	---	2021.06.17	增加本色和白色规格区分
D	---	2024.02.20	更新新图框



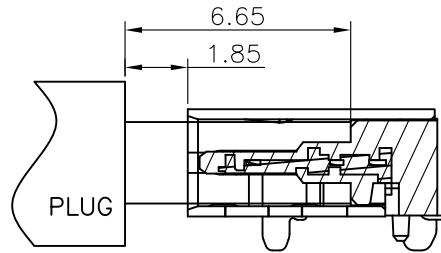
PIN DEFINITION:

PIN No.	A1	A4	A5	A6	A7	A8	A9	A12
SIGNAL NAME	GND	VBus	CC1	D+	D-	SBU1	VBus	GND
PIN No.	B12	B9	B8	B7	B6	B5	B4	B1
SIGNAL NAME	GND	VBus	SBU2	D-	D+	CC2	VBus	GND

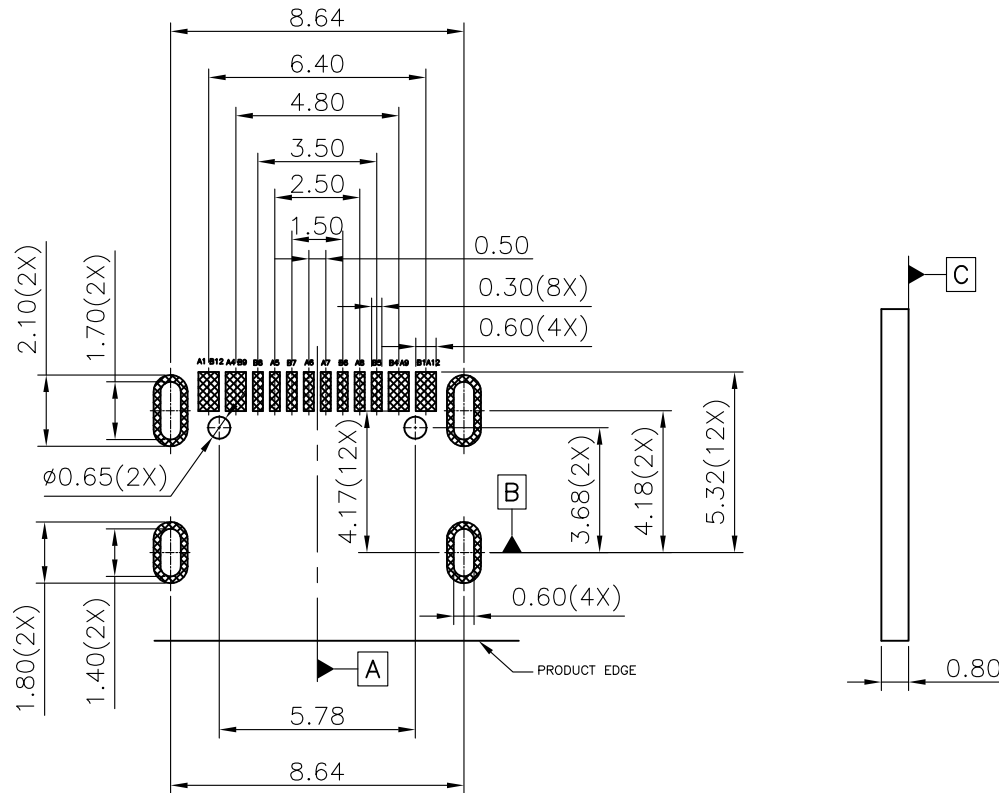
TABLE:

NO	PART	Q'TY	Material
1	SHELL	1	STAINLESS STEEL 304, BLACK NI 30u" MIN PLATED
2	Mid Plate	1	STAINLESS STEEL 301, NO PLATED
3	CONTACT	16	COPPER STEEL C18400,Au 3u"Plated On Vontact Area GF Plated On Solder Area;Nickel 50u"Min Underplating Over All.
4	HOUSING	1	LCP UL94 V-0

GENERAL TOLERANCES (UNLESS SPECIFIED)		DRAWN BY: HuangXiaoHao		Date: 2024.02.20		GOLDCONN TECHNOLOGIES COMPANY LIMITED	
X.XXX	±0.10	CHECKED BY: liuzongliang		Date: 2024.02.20		TITLE	
X.XX	±0.25	APPROVED BY: Jacky		Date: 2024.02.20		USB TYPE-C FEMALE 16PIN L=7.35 WITH POST(外壳带弹片)	
X.X	±0.30	ANGULAR ±3°		THIRD ANGLE PROJECTION		UNT	SCALE 1:1
DRAWING A4		SHEET NO. 1 OF 2		DWG NO. CF146-16-01			



AFTER MATING



RECOMMENDED PCB LAYOUT(TOP VIEW)
THICKNESS 0.80MM;DEFAULT TOLERANCE:±0.05

REV	ECN No.	DATE	REMARK
A0	NEW	2019.01.10	NEW RELEASE
B	ECN202106001	2021.06.05	增加脚长1.2规格
C	---	2021.06.17	增加本色和白色规格区分
D	---	2024.02.20	更新新图框

NOTE:

1.ELECTRICAL PERFORMANCE,

- 1-1. CURRENT RATING:5 AMPS. FOR TOTAL VBUS/GND PINS;
1.25AMPS FOR CC PIN,
0.25 AMPS. FOR ALL OTHER CONTACT.
- 1-2. VOLTAGE RATING:20V DC/AC (RMS. MAX)
- 1-3. CONTACT RESISTANCE: 40MΩ MAX INITIAL.
50MΩ MAX AFTER TEST

- 1-4.DIELECTRIC WITHSTANDING VOLTAGE: 100V AC
- 1-5.INSULATION RESISTANCE:100MΩ MIN

2.MECHANICAL PERFORMANCE,

- 2-1.INSERTION FORCE: 5~20N.
- 2-2.EXTRACTION FORCE: 8~20N.
- 2-3.DURABILITY: 10000 CYCLES.

3.ENVIRONMENTAL PERFORMANCE:

OPERATING TEMPERATURE: -25°C~+85°C.

4.IR REFLOW:

THE PEAK TEMPERATURE ON THE BOARD SHALL BE MAINTAINED FOR 10 SECONDS AT 260°C.

5.COMPLIANCE WITH ROHS REQUIREMENTS.

6.SALT SPRAY:48H

PART NUMBER CODE:

CF146-16 L X XX R - 01

①②③④

① HOUSING MATERIALS:

L:LCP

② HOUSING COLOR:

B:BLACK

W:WHITE

N:本色

L:BLUE

③ CONTACTS PLATED:

12:Contact Area: Au 3u''

Solder Tails:GF

15:Contact Area: Au 30u''

Solder Tails:GF

④ PACKING OPTIONS:

R:TAPE & REEL

PART NUMBER CODE:

NO.	PART NO.	REMARKS	PACKING
1	CF146-16LB12R-01	LCP黑色接触镀金3u''焊接区GF	TAPE & REEL
2	CF146-16LB15R-01	LCP黑色接触镀金30u''焊接区GF	TAPE & REEL
3	CF146-16LN12R-01	LCP本色接触镀金3u''焊接区GF	TAPE & REEL
4	CF146-16LW12R-01	LCP白色接触镀金3u''焊接区GF	TAPE & REEL
5	CF146-16LL12R-01	LCP蓝色接触镀金3u''焊接区GF	TAPE & REEL

GENERAL TOLERANCES (UNLESS SPECIFIED)		DRAWN BY: Date:		GOLDCONN TECHNOLOGIES COMPANY LIMITED		
X.XXX	±0.10	HuangXiaoHao	2024.02.20	TITLE		
X.XX	±0.25	liuzongliang	2024.02.20			
X.X	±0.30	APPROVED BY: Date:		USB TYPE-C FEMALE 16PIN L=7.35 WITH POST(外壳带弹片)		
ANGULAR	±3°	Jacky	2024.02.20			
THIRD ANGLE PROJECTION	UNT	SCALE	DRAWING	SHEET NO.	DWG. NO.	
	mm	1:1	A4	2 OF 2	CF146-16-01	