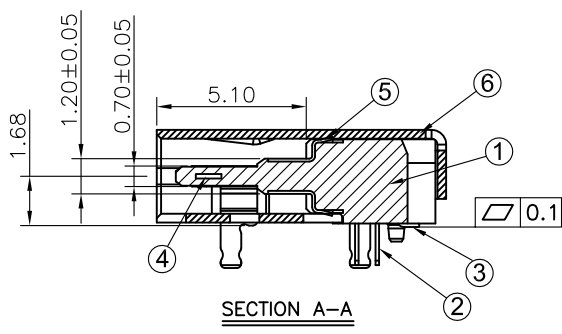
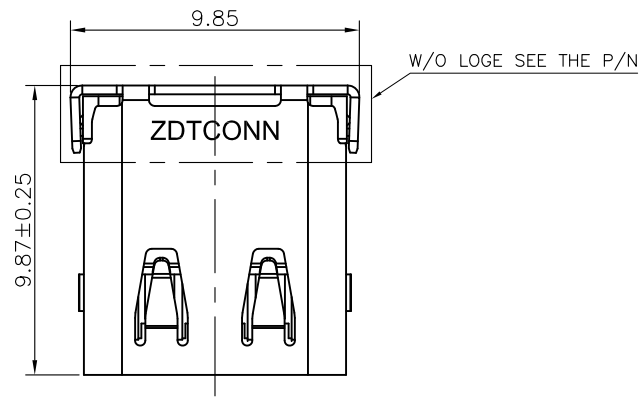
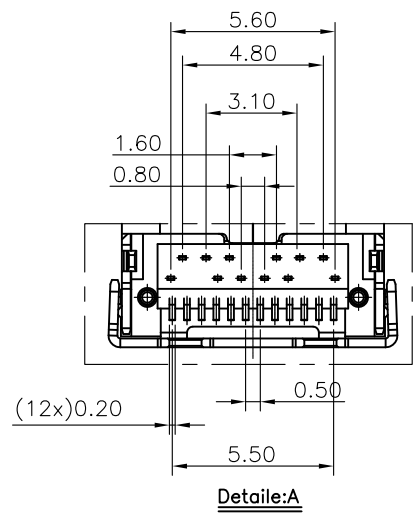
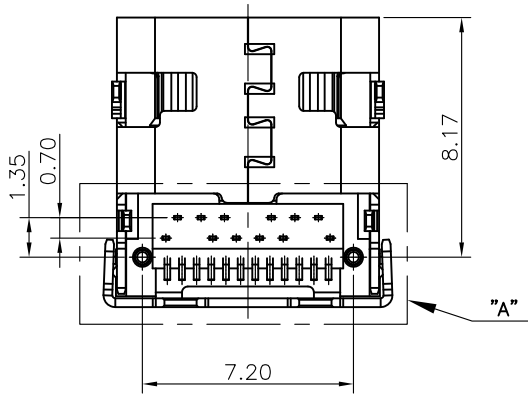
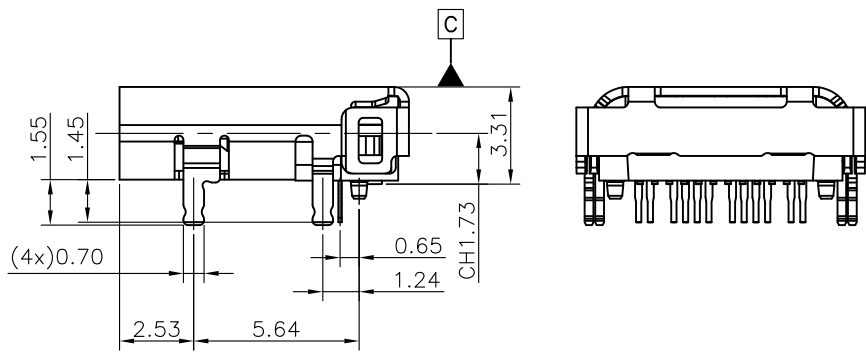
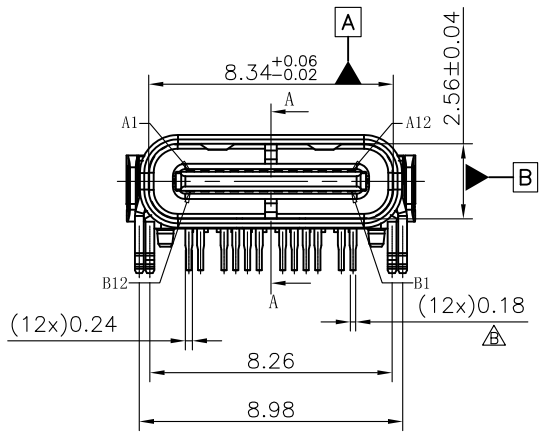


REV	ECN No.	DATE	REMARK
A	NEW	2017.10.05	NEW RELEASE
B	ECN2011006	2020.11.17	Dip端子焊脚尾部加尖角



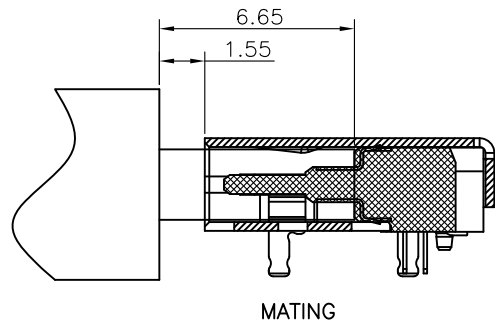
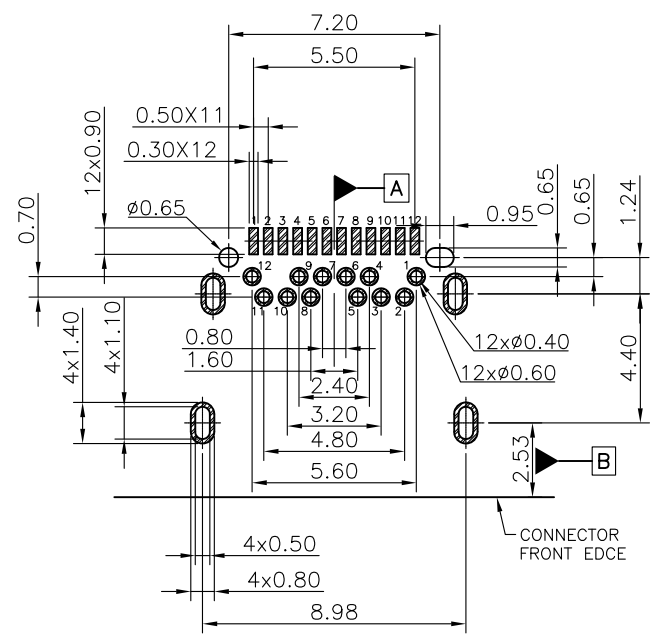
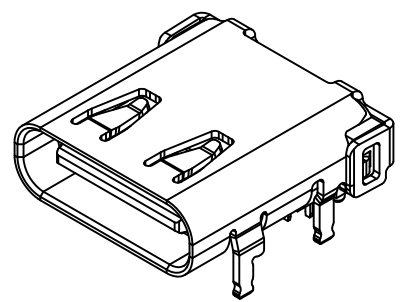
- NOTE:
- Electrical Characteristics:
 - 1-1: Current Rating: 5A For Pin(A4,A9,B4,B9)
1.25A For Pin(B5)
0.25A For Others Pin
 - 1-2: VOLTAGE RATING:5.0V
 - 1-3: Insulation Resistance: 100MΩ Min.
 - 1-4: Contact Resistance:
VBUS & GND PINS AND OTHER PINS: 40mΩ/PIN MAX.
SHIELD:50mΩ/MAX.
SHIELD:LLCR MAX. CHANGE OF ALL PINS: 10mΩ.
 - 1-5: Dielectric Withstanding Voltage: 100V/AC 1Minute
 - Mechanical Characteristics:
 - Insertion Force: 5~20N
 - Extraction Force: Initial: 8~20N
After durability: 6~20N
 - Durability :10000 Cycles
 - Operating Temperature: -25°C TO +85°C
 - 符合ROHS & HF要求:
 - PART NUMBER CODE:
CF169-24 X L B XX XX - 02
(1) (2)(3) (4)
 - (1) SHEL LOPTIONS:
S:外壳无LOGO
L:外壳带ZDT LOGO
 - (2) HOUSING COLOR:
B: BLACK
 - (3) CONTACTS PLATED:
12: Au 3u"PLATED ON THE FUNCTIONAL AREA OF CONTACT.
PLATING SPECIFICATIONS OF THE SOLDER AREA FOLLOW G/F
 - (4) PACKING OPTIONS:
R:TAPE & REEL
VR: TAPE & REEL+真空包装 (专用客户指定包装)



NO.	DESCRIPTION	MATERIAL	REMARKS	QTY
6	SHELL	SUS304 1/2H T=0.30mm	NICKEL 30u" MIN PLATING	1PCS
5	EMI	SUS301 1/2H T=0.10mm	CLEAR ONLY	2PCS
4	SHIELDING PLATE	SUS301 3/4H T=0.15mm	CLEAR ONLY	1PCS
3	SMT CONTACT	C18400-H T=0.12mm	NI 50u" MIN. UNDER PLATED OVER ALL. AU 3u" PLATED ON THE FUNCTIONAL AREA OF CONTACT. PLATING GF OF THE SOLDER AREA	1SET
2	DIP CONTACT	C18400-H T=0.12mm		1SET
1	HOUSING	LCP UL94V-0	BLACK	1PCS
GENERAL TOLERANCES (UNLESS SPECIFIED)		DRAWN BY: Date: HuangXiaoHao 2020.11.17		GOLDCONN TECHNOLOGIES COMPANY LIMITED
X.XXX	±0.10	CHECKED BY: Date: liuzongliang 2020.11.17	TITLE	
X.XX	±0.25	APPROVED BY: Date: Jacky 2020.11.17	USB C F TYPE DIP+SMT CONN (铁壳后盖有缺口) 一体成型脚长1.55	
X.X	±0.30			
ANGULAR	±3°			
THIRD ANGLE PROJECTION	UNT	SCALE	DRAWING	SHEET NO.
	mm	1:1	A4	1 OF 3
				DWG NO. CF169-24-02

TID NO. 5303

REV	ECN No.	DATE	REMARK
A	NEW	2017.10.05	NEW RELEASE
B	ECN2011006	2020.11.17	Dip端子焊脚尾部加尖角



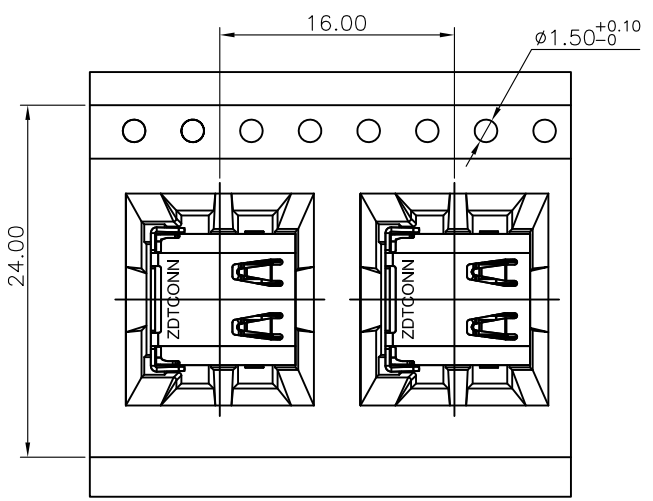
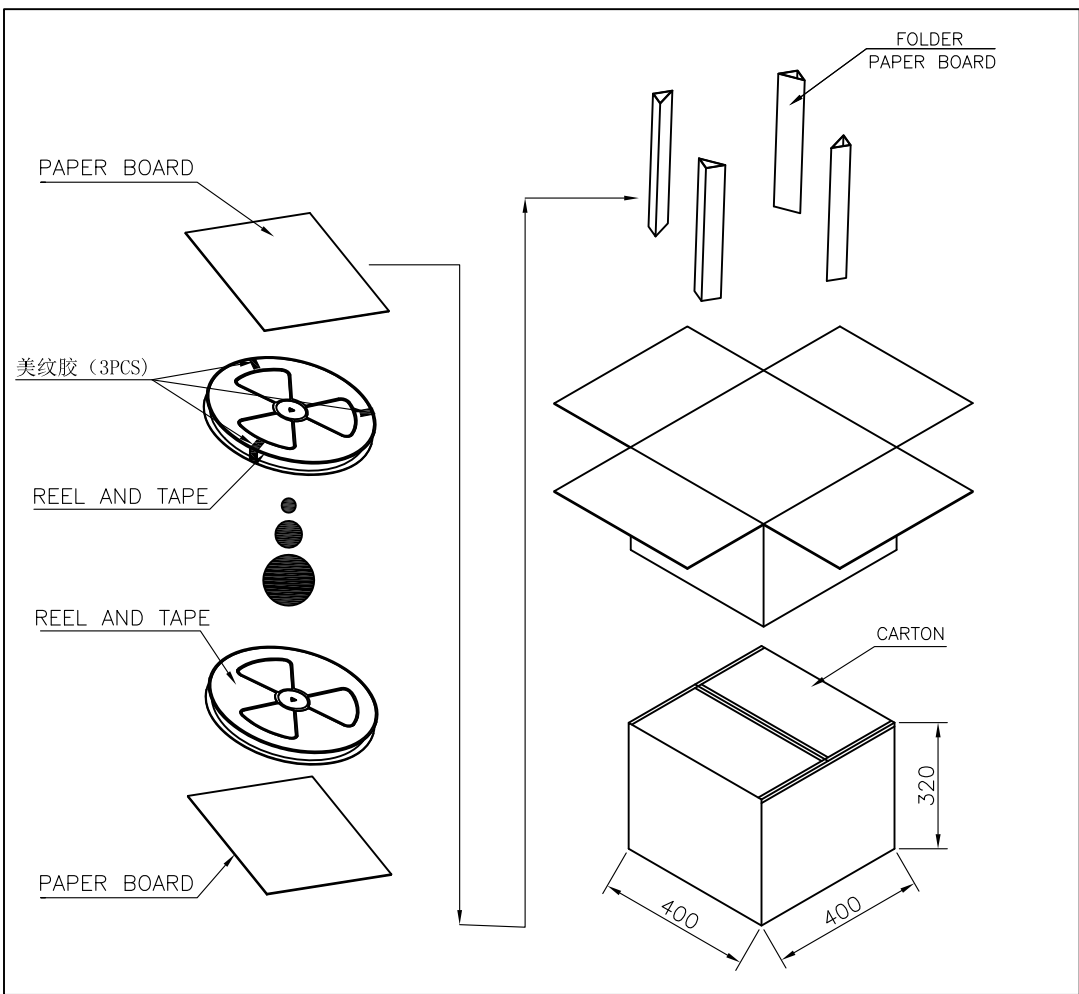
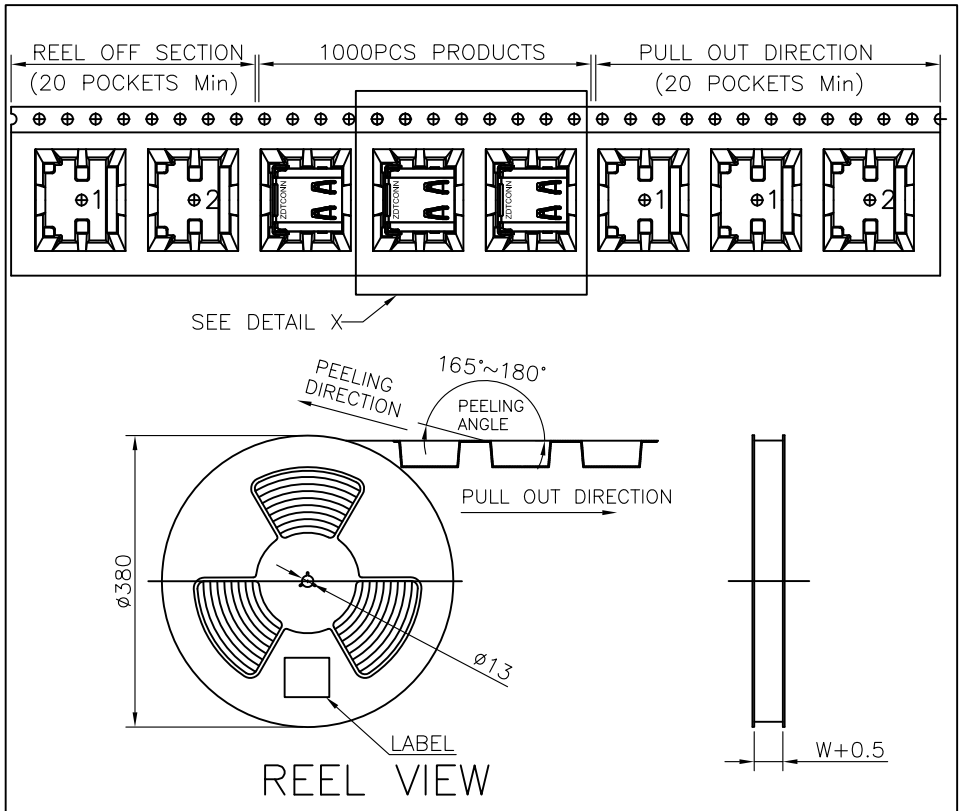
Rec Pin Definition:

PIN No.	A1	A2	A3	A4	A5	A6	A7	A8	A9	A10	A11	A12
SIGNAL NAME	GND	TX1+	TX1-	VBus	CC1	D+	D-	SBU1	VBus	RX2-	RX2+	GND
PIN No.	B12	B11	B10	B9	B8	B7	B6	B5	B4	B3	B2	B1
SIGNAL NAME	GND	RX1+	RX1-	VBus	SBU2	D-	D+	CC2	VBus	TX2-	TX2+	GND

RECOMMEND P.C.B LAYOUT(T=1.00mm)
TOLERANCE UNSPECIFIED ±0.05mm

GENERAL TOLERANCES (UNLESS SPECIFIED)		DRAWN BY: HuangXiaoHao	Date: 2020.11.17	GOLDCONN TECHNOLOGIES COMPANY LIMITED			
X.XXX	±0.10	CHECKED BY: liuzongliang	Date: 2020.11.17	TITLE USB C F TYPE DIP+SMT CONN (铁壳后盖有缺口) 一体成型脚长1.55			
X.XX	±0.25	APPROVED BY: Jacky	Date: 2020.11.17				
X.X	±0.30						
ANGULAR	±3°						
THIRD ANGLE PROJECTION	UNT mm	SCALE 1:1	DRAWING A4	SHEET NO. 2 OF 3	DWG NO. CF169-24-02		

REV	ECN No.	DATE	REMARK
A	NEW	2017.10.05	NEW RELEASE
B	ECN2011006	2020.11.17	Dip端子焊脚尾部加尖角



		REEL/TRAY	CARTON
CONNECTOR (PCS)		1000	10000
GENERAL TOLERANCES (UNLESS SPECIFIED)		DRAWN BY: HuangXiaoHao Date: 2020.11.17	
X.XXX	±0.10	CHECKED BY: liuzongliang Date: 2020.11.17	
X.XX	±0.25	APPROVED BY: Jacky Date: 2020.11.17	
X.X	±0.30	THIRD ANGLE PROJECTION	
ANGULAR	±3°	UNT	SCALE
		mm	1:1
		DRAWING	SHEET NO.
		A4	3 OF 3
		DWG NO.	CF169-24-02

GOLDCONN TECHNOLOGIES COMPANY LIMITED

TITLE

USB C F TYPE DIP+SMT CONN
(铁壳后盖有缺口) 一体式成型脚长1.55