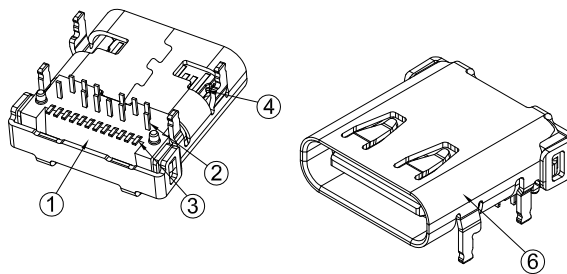
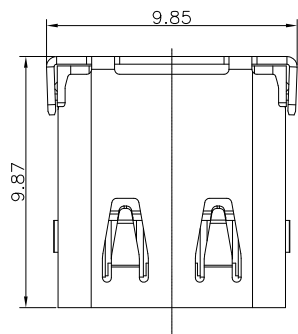


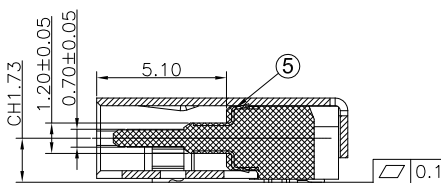
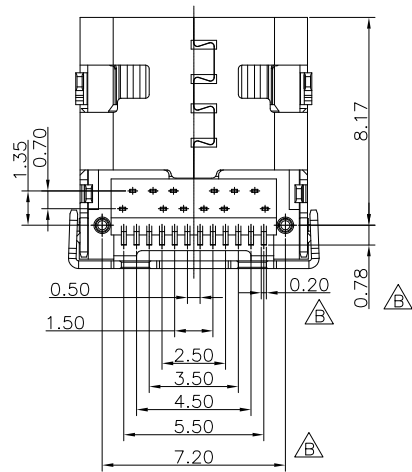
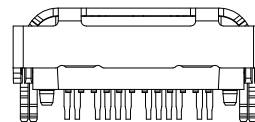
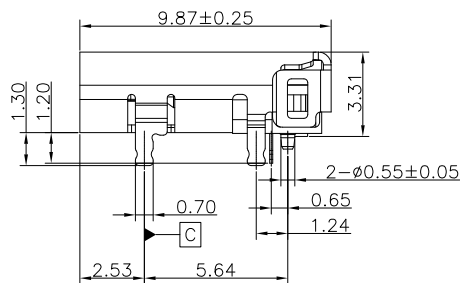
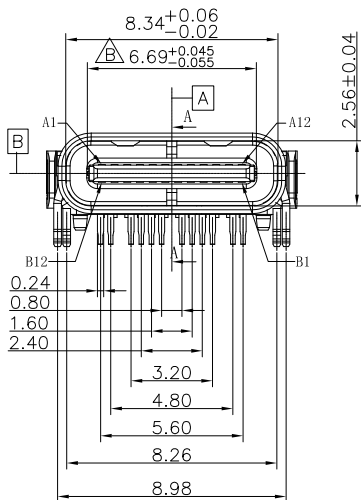
RoHS Compliant 

TID NO.  
3658

REV	ECN No.	DATE	REMARK
A	NEW	2017.10.05	NEW RELEASE
B	---	2023.09.04	加标尺寸



NOTE:  
 1. Electrical Characteristics:  
 1-1: Current Rating: 5A For Pin(A4,A9,B4,B9)  
           1.25A For Pin(B5)  
           0.25A For Others Pin  
 1-2: VOLTAGE RATING:5.0/20V  
 1-3: Insulation Resistance: 100MΩ Min.  
 1-4: Contact Resistance:  
       VBUS & GND PINS AND OTHER PINS: 40mΩ/PIN MAX.  
       SHIELD:50mΩ/MAX.  
       SHIELD:LLCR MAX. CHANGE OF ALL PINS: 10mΩ.  
 1-5: Dielectric Withstanding Voltage: 100V/AC 1Minute  
 2. Mechanical Characteristics:  
       Insertion Force: 5~20N  
       Extraction Force: Initial: 8~20N  
       After durability: 6~20N  
       Durability :10000 Cycles  
 3. Operating Temperature: -25°C TO +85°C  
 4. PART NUMBER CODE:  
 CF170-24 S L B XX XX - 02  
       (1)(2) (3)



SECTION A-A  
SCALE 1:1

(1) HOUSING COLOR:  
B: BLACK  
 (2) CONTACTS PLATED:  
 12: Au 3u"PLATED ON THE FUNCTIONAL AREA OF CONTACT.  
 PLATING SPECIFICATIONS OF THE SOLDER AREA FOLLOW G/F  
 14: Au 15u"PLATED ON THE FUNCTIONAL AREA OF CONTACT.  
 PLATING SPECIFICATIONS OF THE SOLDER AREA FOLLOW G/F  
 15: Au 30u"PLATED ON THE FUNCTIONAL AREA OF CONTACT.  
 PLATING SPECIFICATIONS OF THE SOLDER AREA FOLLOW G/F  
 (3) PACKING OPTIONS:  
 R:TAPE & REEL  
 VR: TAPE & REEL+ 真空包装 (专用客户指定包装)

TYPE:

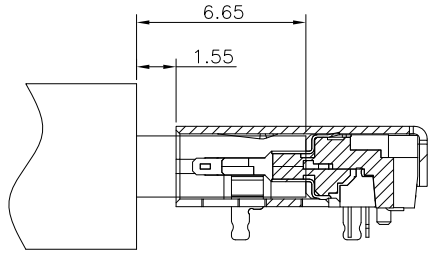
NO.	DESCRIPTION	MATERIAL	REMARKS	QTY
6	SHELL	SUS304 1/2H T=0.30mm	NICKEL 30u" MIN PLATING	1PCS
5	EMI	SUS304 1/2H T=0.10mm	CLEAR ONLY	2PCS
4	SHIELDING PLATE	SUS301 3/4H T=0.15mm	CLEAR ONLY	1PCS
3	SMT CONTACT	C18400-H T=0.12mm	Ni 50u" MIN. UNDER PLATED OVER ALL. AU 3u"PLATED ON THE FUNCTIONAL AREA OF CONTACT. PLATING OF THE SOLDER AREA.	1SET
2	DIP CONTACT	C18400-H T=0.12mm	Ni 50u" MIN. UNDER PLATED OVER ALL. AU 3u"PLATED ON THE FUNCTIONAL AREA OF CONTACT. PLATING OF THE SOLDER AREA.	1SET
1	HOUSING	LCP UL94V-0	BLACK	1PCS

PART NO.:		DRAWN BY:		<b>GOLDCONN TECHNOLOGIES COMPANY LIMITED</b>			
SEE THE PART NUMBER CODE		HuangXiaoHao					
GENERAL TOLERANCES		CHECKED BY:		TITLE			
x.xxxx	± ---	liuzongliang					
x.xxx	± 0.10	APPROVED BY:		USB C F TYPE 24PIN DIP+SMT CONN			
x.xx	± 0.25	Jacky					
x.x	± 0.30			UNIT	SCALE	SHEET NO.	DWG.NO.
ANGULAR	± --°			mm	1:1	1 OF 2	CF170-24-02

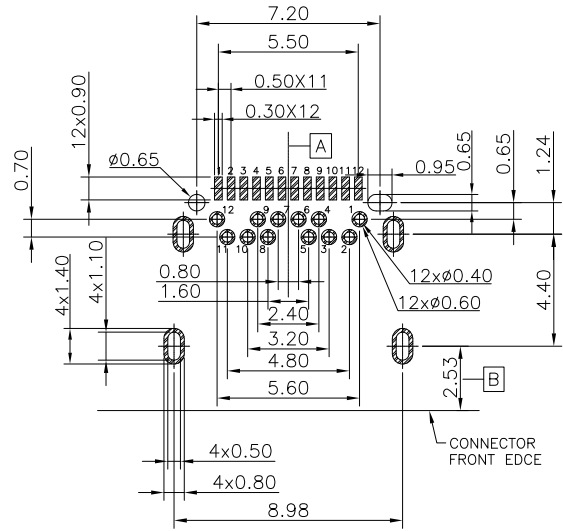
RoHS Compliant 

TID NO.  
3658

REV	ECN No.	DATE	REMARK
A	NEW	2017.10.05	NEW RELEASE
B	---	2023.09.04	加标尺寸



MATING



RECOMMEND P.C.B LAYOUT(T=1.00mm)  
TOLERANCE UNSPECIFIED ±0.05mm

PIN DEFINITION:

PIN No.	A1	A2	A3	A4	A5	A6	A7	A8	A9	A10	A11	A12
SIGNAL NAME	GND	TX1+	TX1-	VBus	CC1	D+	D-	SBU1	VBus	RX2-	RX2+	GND

PIN No.	B12	B11	B10	B9	B8	B7	B6	B5	B4	B3	B2	B1
SIGNAL NAME	GND	RX1+	RX1-	VBus	SBU2	D-	D+	CC2	VBus	TX2-	TX2+	GND

PART NO.: SEE THE PART NUMBER CODE		DRAWN BY: HuangXiaoHao		<b>GOLDCONN TECHNOLOGIES COMPANY LIMITED</b>			
GENERAL TOLERANCES		CHECKED BY: liuzongliang					
x.xxxx	± ---	APPROVED BY: Jacky		TITLE USB C F TYPE_24PIN DIP+SMT CONN			
x.xxx	± 0.10	UNIT mm		SCALE 1:1		SHEET NO. 2 OF 2	
x.xx	± 0.25	ANGULAR ± --°		DWG.NO. CF170-24-02		frame size: A4	