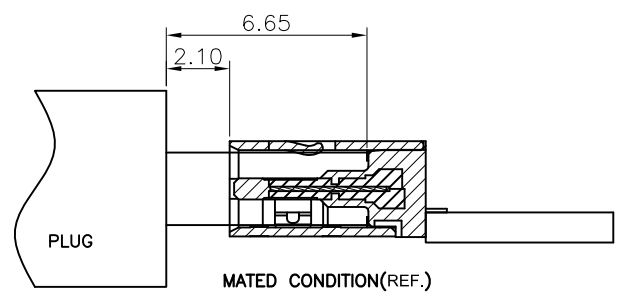
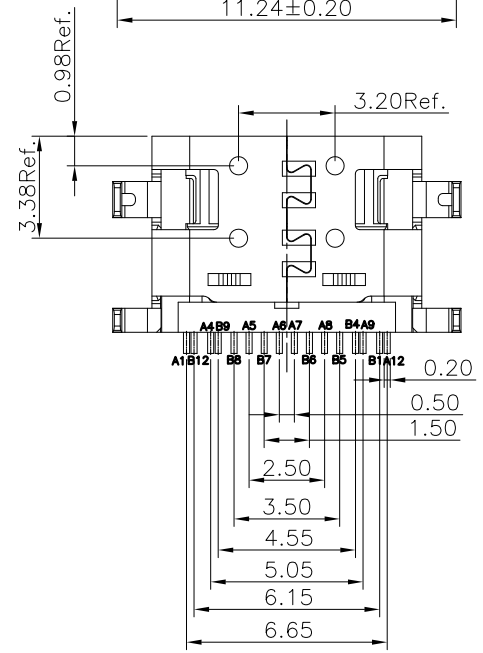
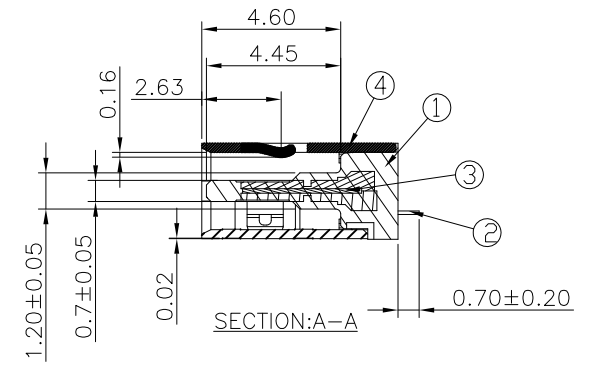
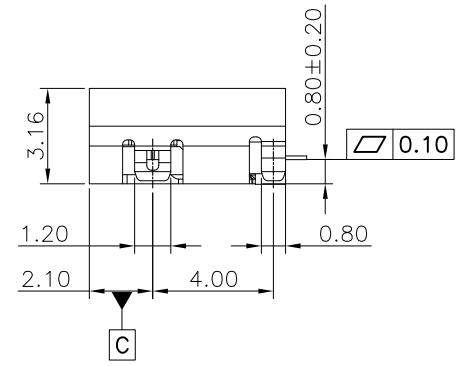
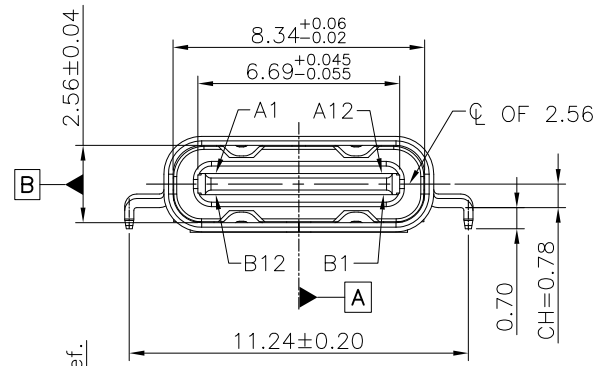
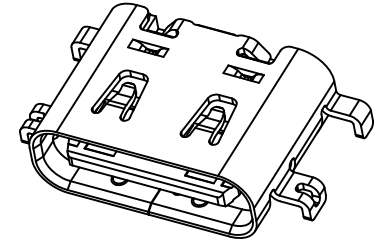
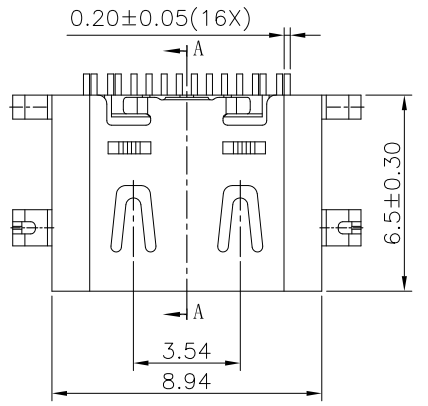


TID NO. 2754  
IEC62680-1-3 24B01N000452-001-COM

REV	ECN No.	DATE	REMARK
A	NEW	2019.11.20	NEW RELEASE
B	ECN202105002	2021.05.06	增加真空包装料号规格



TYPE:

NO.	DESCRIPTION	MATERIAL	REMARKS	QTY
4	SHELL	SUS304 1/2H T=0.30mm	NICKEL 30u" MIN PLATING	1PCS
3	SHIELDING PLATE	SUS301 3/4H T=0.15mm	---	1PCS
2	CONTACT	C18400-H T=0.12mm	IN 50u" MIN UNDER PLATED OVER ALL Au 3u" PLATED ON THE FUNCTIONAL AREA OF CONTACT. PLATING G/T OF THE SOLDER AREA	2SET
1	HOUSING	PA9T/LCP UL94V-0	BLACK/BLUE	1PCS

GENERAL TOLERANCES (UNLESS SPECIFIED)		DRAWN BY: Date: HuangXiaoHao 2019.11.20		GOLDCONN TECHNOLOGIES COMPANY LIMITED
X.XXX	±0.10	CHECKED BY: Date: liuzongliang 2019.11.20	TITLE	
X.XX	±0.25	APPROVED BY: Date: Jacky 2019.11.20	USB CF 16PIN (L=6.5) 沉板0.8外壳带弹片款	
X.X	±0.30			
ANGULAR	±3°			

THIRD ANGLE PROJECTION	UNT mm	SCALE 1:1	DRAWING A4	SHEET NO. 1 OF 2	DWG NO. CF172-16-68
------------------------	--------	-----------	------------	------------------	---------------------

TID NO.	2754
IEC62680-1-3	24B01N000452-001-COM

REV	ECN No.	DATE	REMARK
A	NEW	2019.11.20	NEW RELEASE
B	ECN202105002	2021.05.06	增加真空包装料号规格

NOTE:

- ELECTRICAL PERFORMANCE,
  - CURRENT RATING:5 AMPS. FOR TOTAL VBUS/GND PINS,  
1.25AMPS FOR CC PIN,  
0.25 AMPS. FOR ALL OTHER CONTACT.
  - VOLTAGE RATING:20V DC/AC (RMS. MAX)
  - LLCR:.  
VBUS & GND PINS AND OTHER PINS: 40MΩ/PIN MAX.  
SHIELD:50MΩ/MAX.  
LLCR MAX. CHANGE OF ALL PINS: 10MΩ.
  - INSULATION RESISTANCE: 100MΩ MIN
  - DIELECTRIC WITHSTAND VOLTAGE,AC 100V FOR 1 MINUTE.
- MECHANICAL PERFORMANCE,
  - INSERTION FORCE: 5~20N.
  - EXTRACTION FORCE: 8~20N.
  - DURABILITY: 10000 CYCLES.
- ENVIRONMENTAL PERFORMANCE:
  - OPERATING TEMPERATURE: -25°C~+85°C.
- IR REFLOW:
  - THE PEAK TEMPERATURE ON THE BOARD SHALL BE MAINTAINED FOR 10 SECONDS AT 260°C.
- COMPLIANCE WITH ROHS REQUIREMENTS.
- SALT SPRAY:48H

PIN DEFINITION:

PIN No.	A1	A4	A5	A6	A7	A8	A9	A12
SIGNAL NAME	GND	VBUS	CC1	D+	D-	SBU1	VBUS	GND
PIN No.	B12	B9	B8	B7	B6	B5	B4	B1
SIGNAL NAME	GND	VBUS	SBU2	D-	D+	CC2	VBUS	GND

PART NUMBER CODE:

C F172 - 16 S X X XX XX - 68  
① ② ③ ④

① HOUSING MATERIAL:

C:PA9T  
L:LCP


② HOUSING COLOR:

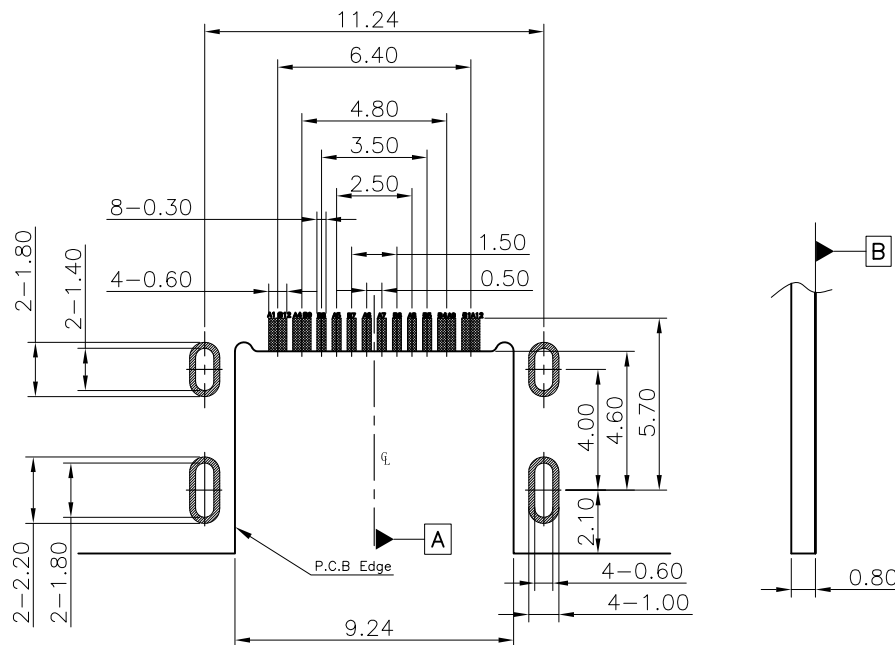
B:BLACK  
L:BLUE

③ CONTACTS PLATED:


12:Contact Area: Au 3u"  
Solder Tails:GF  
15:Contact Area: Au 30u"  
Solder Tails:GF

④ PACKING OPTIONS

R:TAPE & REEL  
VR:TAPE & REEL+真空包装(专用客户指定包规) 



**Recommended PCB Layout**  
General Tolerance ±0.05

GENERAL TOLERANCES (UNLESS SPECIFIED)		DRAWN BY: HuangXiaoHao	Date: 2019.11.20	GOLDCONN TECHNOLOGIES COMPANY LIMITED	
X.XXX	±0.10	CHECKED BY: liuzongliang	Date: 2019.11.20	TITLE	
X.XX	±0.25	APPROVED BY: Jacky	Date: 2019.11.20	USB CF 16PIN (L=6.5) 沉板0.8外壳带弹片款	
X.X	±0.30				
ANGULAR	±3°				
THIRD ANGLE PROJECTION 	UNT mm	SCALE 1:1	DRAWING A4	SHEET NO. 2 OF 2	DWG NO. CF172-16-68