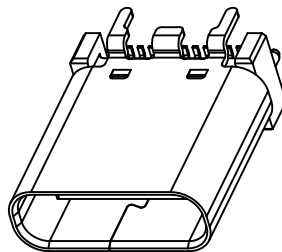
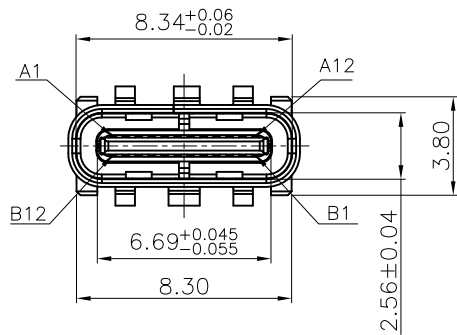


REV	ECN No.	DATE	REMARK
A	NEW	2019.11.21	NEW RELEASE
B	ECR230913-001	2023.09.15	1. 取消底部掏料孔 2. 整理图纸



NOTE:
 1.ELECTRICAL PERFORMANCE:
 1-1. CURRENT RATING:5 AMPS. FOR TOTAL VBUS/GND PINS; 1.25AMPS FOR CC PIN,0.25 AMPS. FOR ALL OTHER CONTACT.
 1-2. VOLTAGE RATING:20V DC/AC (RMS. MAX)
 1-3. LLCR:.
 VBUS & GND PINS AND OTHER PINS: 40MΩ/PIN MAX.
 SHIELD:50MΩ/MAX.
 LLCR MAX. CHANGE OF ALL PINS: 10MΩ.
 1-4.INSULATION RESISTANCE: 100MΩ MIN
 1-5.DIELECTRIC WITHSTAND VOLTAGE,AC 100V FOR 1 MINUTE.
 2.MECHANICAL PERFORMANCE,
 2-1.INSERTION FORCE: 5~20N.
 2-2.EXTRACTION FORCE: 8~20N.
 2-3.DURABILITY: 10000 CYCLES.
 3.ENVIRONMENTAL PERFORMANCE:
 OPERATING TEMPERATURE: -25°C~+85°C.
 4.IR REFLOW:
 THE PEAK TEMPERATURE ON THE BOARD SHALL BE MAINTAINED FOR 10 SECONDS AT 260°C.
 5.COMPLIANCE WITH ROHS REQUIREMENTS.

6. PART NUMBER CODE:
 C F175 - 24 S L X XX R - 02
 (1) (2)

(1) HOUSING COLOR:
 B:BLACK
 N:本色

(2) CONTACTS PLATED:
 02:半金镀3u"
 04:半金镀15u"
 05:半金镀30u"

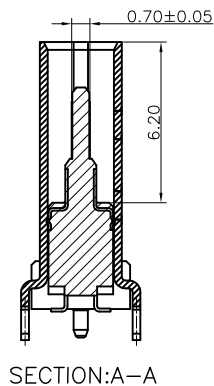
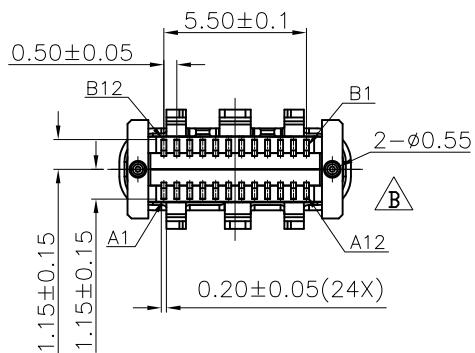
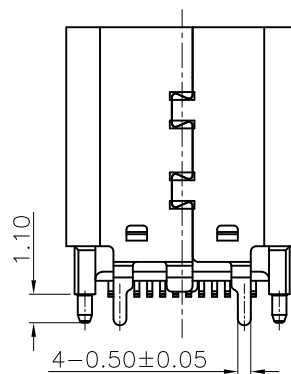
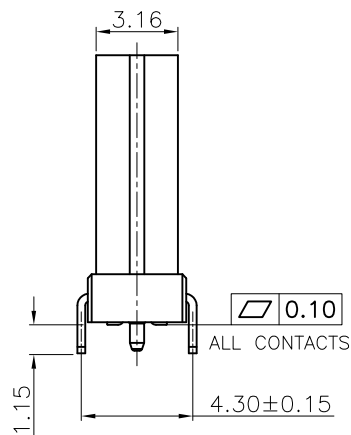
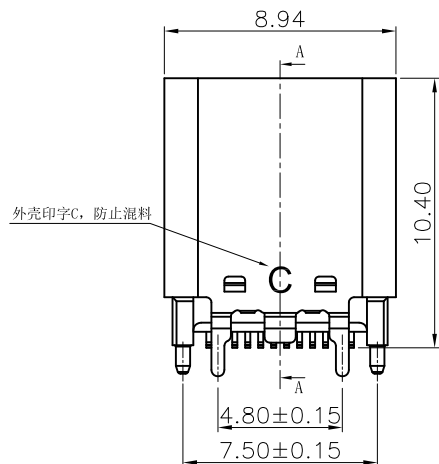


TABLE:

NO	PART	Q'TY	Material
1	SHELL	1	STAINLESS STEEL 304, NI 30u" MIN PLATED
2	EMI Plate	1	STAINLESS STEEL 301,NI 30u" MIN PLATED
3	Mid Plate	1	STAINLESS STEEL 301, NO PLATED
4	CONTACT	24	COPPER STEEL C18400,Au(PART NUMBER CODE) plated on contact area Matte Tin plated 50u"min on solder area; Nickel 50u"min underplating over all.
5	HOUSING	1	LCP BLACK UL94 V-0
6	CAP	1	LCP BLACK UL94 V-0

PART NO.:		GOLDCONN TECHNOLOGIES COMPANY LIMITED		DRAWN BY: SAM	
SEE THE PART NUMBER CODE		TITLE		CHECKED BY: JAY	
QUALITY SYMBOL	○	GENERAL TOLERANCES	APPROVED BY: JACKY		
	▽	x.xxxx ± ---	DWG.NO. CF175-24-02		
	△	x.xxx ± 0.10	THIRD ANGLE PROJECTION		
	□	x.xx ± 0.25	UNIT mm	SCALE 1:1	SHEET NO. 1 OF 2
	▲	x.x ± 0.30	ANGULAR ± ---°		

