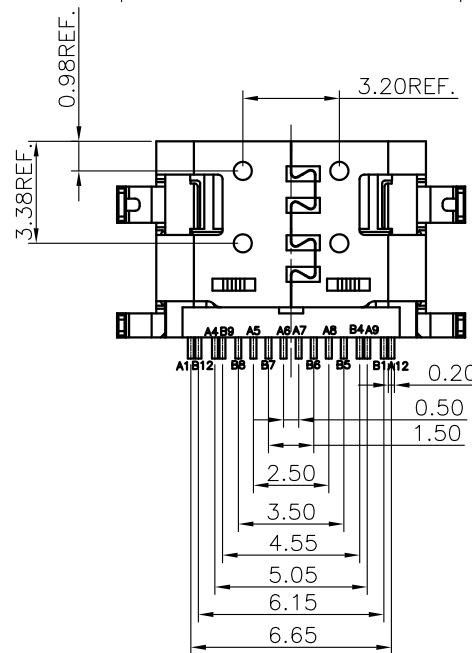
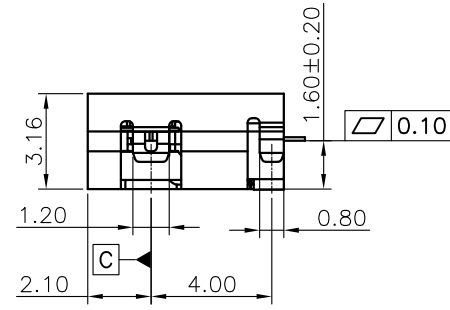
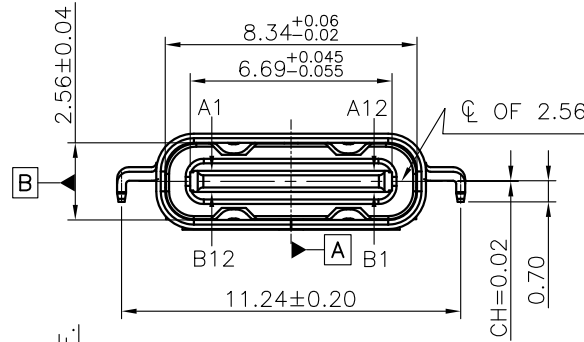
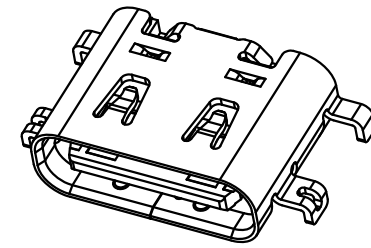
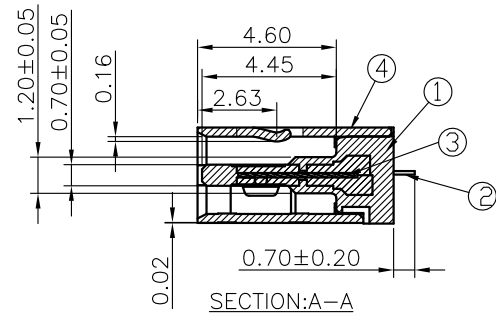
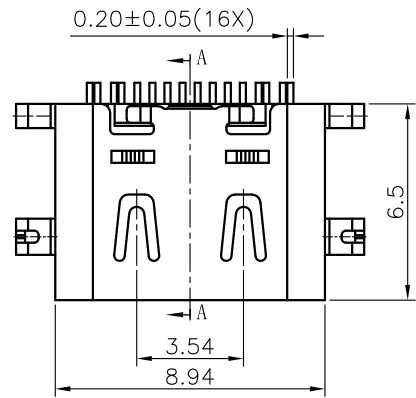


TID NO. 3379
IEC62680-1-3 24B01N000451-001-COM

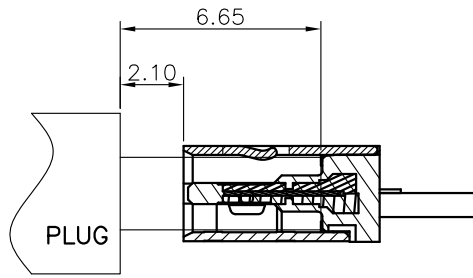
REV	ECN No.	DATE	REMARK
A	NEW	2019.11.20	NEW RELEASE
B	ECN202105002	2021.05.06	增加真空包装料号规格
C	---	2024.02.20	更新新图框



PIN DEFINITION:

PIN No.	A1	A4	A5	A6	A7	A8	A9	A12
SIGNAL NAME	GND	VBus	CC1	D+	D-	SBU1	VBus	GND

PIN No.	B12	B9	B8	B7	B6	B5	B4	B1
SIGNAL NAME	GND	VBus	SBU2	D-	D+	CC2	VBus	GND



Mated Condition(REF.)

TYPE:

NO.	DESCRIPTION	MATERIAL	REMARKS	QTY
4	SHELL	SUS304 1/2H T=0.30mm	NICKEL 30u" MIN PLATING	1PCS
3	SHIELDING PLATE	SUS301 3/4H T=0.15mm	---	1PCS
2	CONTACT	C18400-H T=0.12mm	IN 50u" MIN UNDER PLATED OVER ALL Au 3u" PLATED ON THE FUNCTIONAL AREA OF CONTACT. PLATING 0.7 OF THE SOLDER AREA.	2SET
1	HOUSING	PA9T/LCP UL94V-0	BLACK/BLUE	1PCS

GENERAL TOLERANCES (UNLESS SPECIFIED)		DRAWN BY: HuangXiaoHao		Date: 2024.02.20	GOLDCONN TECHNOLOGIES COMPANY LIMITED
X.XXX	±0.10	CHECKED BY: liuzongliang	Date: 2024.02.20	TITLE	
X.XX	±0.20	APPROVED BY: Jacky	Date: 2024.02.20	USB CF 16PIN (L=6.5) 沉板1.6外壳带弹片款	
X.X	±0.30				
ANGULAR	±3°				

THIRD ANGLE PROJECTION	UNT	SCALE	DRAWING	SHEET NO.	DWG NO.
	mm	1:1	A4	1 OF 2	CF178-16-01

TID NO.	3379
IEC62680-1-3	24B01N000451-001-COM

REV	ECN No.	DATE	REMARK
A	NEW	2019.11.20	NEW RELEASE
B	ECN202105002	2021.05.06	增加真空包装料号规格
C	---	2024.02.20	更新新图框

NOTE:

- ELECTRICAL PERFORMANCE,
 - CURRENT RATING:5 AMPS. FOR TOTAL VBUS/GND PINS,
1.25AMPS FOR CC PIN,
0.25 AMPS. FOR ALL OTHER CONTACT.
 - VOLTAGE RATING:20V DC/AC (RMS. MAX)
 - LLCR:.
VBUS & GND PINS AND OTHER PINS: 40MΩ/PIN MAX.
SHIELD:50MΩ/MAX.
LLCR MAX. CHANGE OF ALL PINS: 10MΩ.
 - INSULATION RESISTANCE: 100MΩ MIN
 - DIELECTRIC WITHSTAND VOLTAGE,AC 100V FOR 1 MINUTE.
- MECHANICAL PERFORMANCE,
 - INSERTION FORCE: 5~20N.
 - EXTRACTION FORCE: 8~20N.
 - DURABILITY: 10000 CYCLES.
- ENVIRONMENTAL PERFORMANCE:
 - OPERATING TEMPERATURE: -25°C~+85°C.
- IR REFLOW:
 - THE PEAK TEMPERATURE ON THE BOARD SHALL BE MAINTAINED FOR 10 SECONDS AT 260°C.
- COMPLIANCE WITH ROHS REQUIREMENTS.
- SALT SPRAY:48H

PART NUMBER CODE:

C F178 - 16 S X X XX XX - 01
①②③④

① HOUSING MATERIAL:

C:PA9T
L:LCP

② HOUSING COLOR:

B:BLACK
W:WHITE
L:BLUE

③ CONTACTS PLATED:

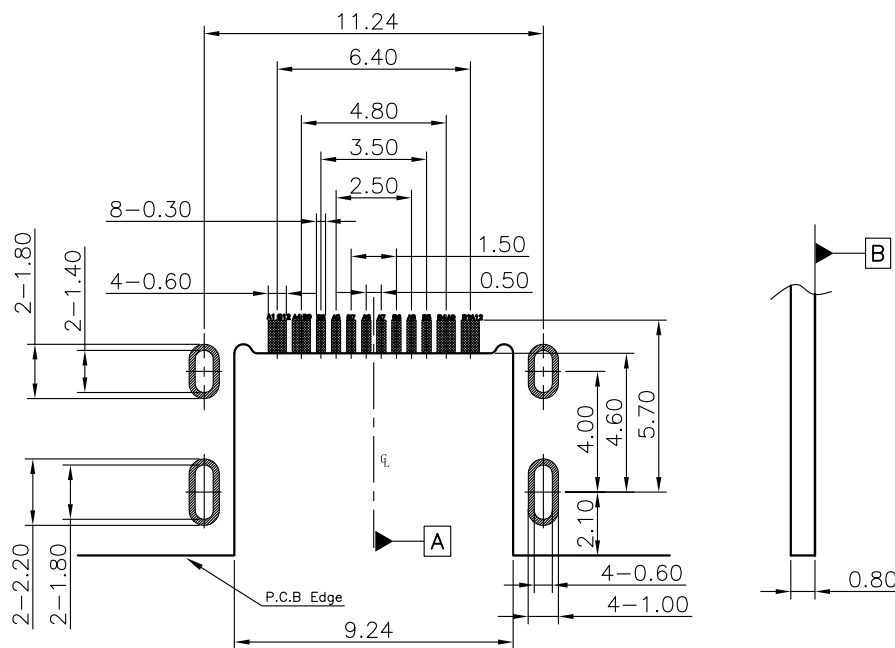
12:Contact Area: Au 3u"
Solder Tails:GF
15:Contact Area: Au 30u"
Solder Tails:GF

④ PACKING OPTIONS

R:TAPE & REEL
VR:TAPE & REEL+真空包装(专用客户指定包规) △

序号	PART NO.	REMARKS	PACKING
1	CF178-16SLB12R-01	LCP黑色接触镀金3u"其它GF	TAPE & REEL
2	CF178-16SCB12R-01	PA9T黑色接触镀金3u"其它GF	TAPE & REEL
3	CF178-16SLB15R-01	LCP黑色接触镀金30u"其它GF	TAPE & REEL
4	CF178-16SLB12VR-01	LCP黑色接触镀金3u"其它GF	TAPE & REEL+真空包装 △
5	CF178-16SLW12R-01	LCP白色接触镀金3u"其它GF	TAPE & REEL

GENERAL TOLERANCES (UNLESS SPECIFIED)		DRAWN BY: HuangXiaoHao		Date: 2024.02.20		GOLDCONN TECHNOLOGIES COMPANY LIMITED			
X.XXX	±0.10	CHECKED BY: liuzongliang		Date: 2024.02.20		TITLE			
X.XX	±0.20	APPROVED BY: Jacky		Date: 2024.02.20		USB CF 16PIN (L=6.5) 沉板1.6外壳带弹片款			
X.X	±0.30	THIRD ANGLE PROJECTION		UNT	SCALE	DRAWING	SHEET NO.	DWG NO.	
ANGULAR	±3°	mm		1:1	A4	2 OF 2	CF178-16-01		



Recommended PCB Layout
General Tolerance ±0.05