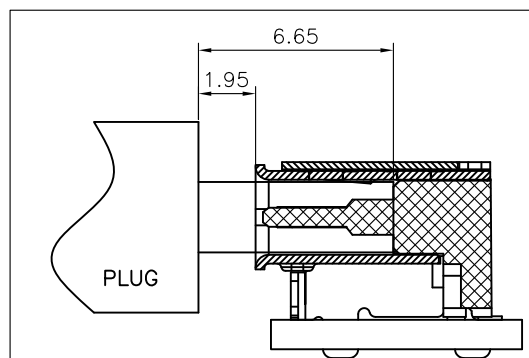
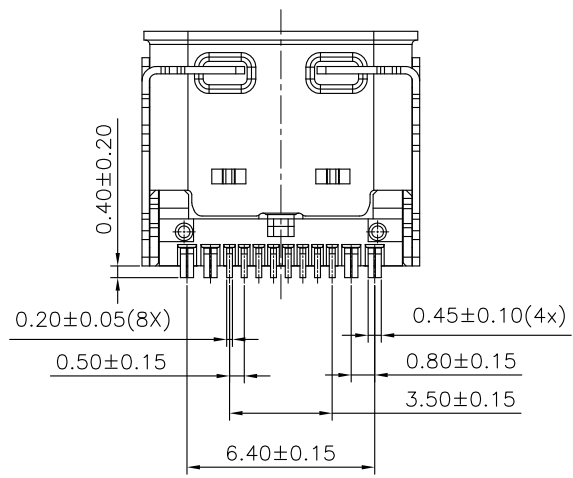
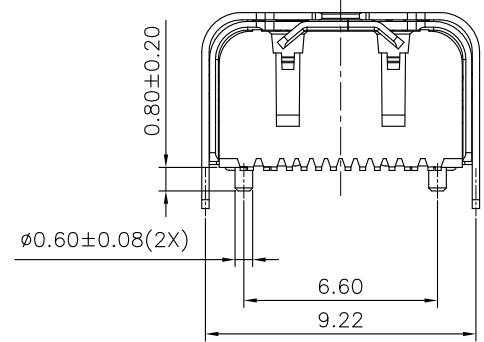
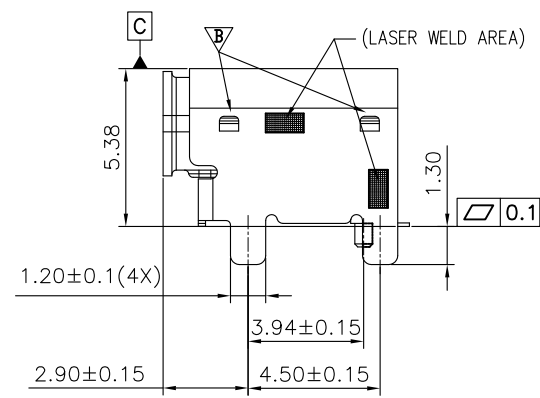
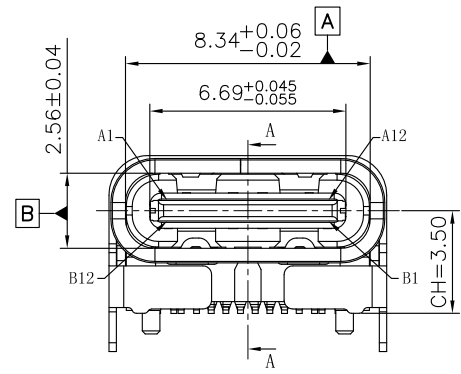
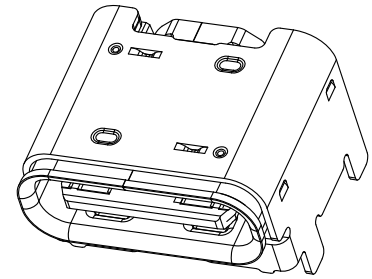
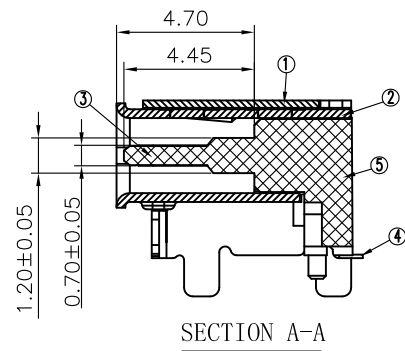
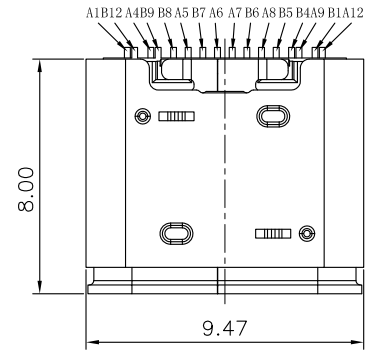


REV	ECN No.	DATE	REMARK
A	NEW	2022.01.23	NEW RELEASE
B	ECR202305-003	2023.05.22	外壳卡点0.45+0.03/-0.01改为0.40+0.03/-0.01
C	---	2023.11.11	增加TID号



NO	PART	Q'TY	Material
1	OUT SHELL	1	Stainless Steel SUS304 T=0.25mm, NI 30u" MIN PLATED
2	INNER SHELL	1	Stainless Steel SUS304 T=0.30mm, NI 30u" MIN PLATED
3	Mid Plate	1	Stainless Steel SUS301 T=0.15mm,CLEAR ONLY
4	CONTACT	16	COPPER STEEL C18400, AU3U"PLATED ON CONTACT AREA G/F PLATED ON SOLDER AREA; NICKEL 50U"MIN UNDERPLATING OVER ALL.
5	HOUSING	1	PA9T BLACK UL94 V-0

GENERAL TOLERANCES (UNLESS SPECIFIED)		DRAWN BY: HuangXiaoHao	Date: 2023.11.11	GOLDCONN TECHNOLOGIES COMPANY LIMITED	
X.XXX	±0.10	CHECKED BY: liuzongliang	Date: 2023.11.11	TITLE	
X.XX	±0.25	APPROVED BY: Jacky	Date: 2023.11.11	USB TYPE-C FEMALE 16P插高款CH=3.5	
X.X	±0.30			PART NO.	DWG NO.
ANGULAR	±3°			SEE THE PART NUMBER CODE	CF216-007-02
THIRD ANGLE PROJECTION	UNT	SCALE	DRAWING	SHEET NO.	REV.
	mm	1:1	A4	1 OF 2	A

REV	ECN No.	DATE	REMARK
A	NEW	2022.01.23	NEW RELEASE
B	ECR202305-003	2023.05.22	外壳卡点0.45+0.03/-0.01改为0.40+0.03/-0.01
C	---	2023.11.11	增加TID号

NOTE:

1.ELECTRICAL PERFORMANCE,
 1-1. CURRENT RATING:5 AMPS. FOR TOTAL VBUS/GND PINS;
 1.25AMPS FOR CC PIN,
 0.25 AMPS. FOR ALL OTHER CONTACT.
 1-2. VOLTAGE RATING:5V/20V DC/AC (RMS. MAX)
 1-3. LLCR:.
 VBUS & GND PINS AND OTHER PINS: 40MΩ/PIN MAX.
 SHIELD:50MΩ/MAX.
 LLCR MAX. CHANGE OF ALL PINS: 10MΩ.
 1-4.INSULATION RESISTANCE: 100MΩ MIN
 1-5.DIELECTRIC WITHSTAND VOLTAGE,AC 100V FOR 1 MINUTE.

2.MECHANICAL PERFORMANCE,
 2-1.INSERTION FORCE: 5~20N.
 2-2.EXTRACTION FORCE: 8~20N.
 2-3.DURABILITY: 10000 CYCLES.

3.ENVIRONMENTAL PERFORMANCE:
 OPERATING TEMPERATURE: -25°C~+85°C.

4.IR REFLOW:
 THE PEAK TEMPERATURE ON THE BOARD SHALL
 BE MAINTAINED FOR 10 SECONDS AT 260°C.

TID NO.	10253
IEC62680-1-3:	24B01N001793-004-COM

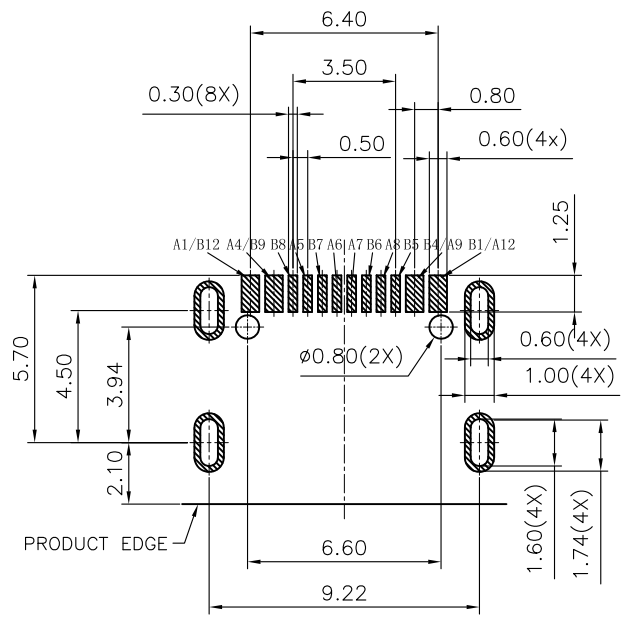
Pin Definition:

PIN No.	A1	A4	A5	A6	A7	A8	A9	A12
SIGNAL NAME	GND	VBUS	CC1	D+	D-	SBU1	VBUS	GND

PIN No.	B12	B9	B8	B7	B6	B5	B4	B1
SIGNAL NAME	GND	VBUS	SBU2	D-	D+	CC2	VBUS	GND

PART NUMBER CODE:
 CF216 - 007 S C X XX XX - 02
 ① ② ③

- ① HOUSING COLOR:
B:BLACK
- ② CONTACTS PLATED:
12:Contact Area: Au 3u"
Solder Tails:GF
- ③ PACKING OPTIONS:
R:TAPE & REEL
VR:TAPE & REEL+Vacuum packaging



RECOMMEND P.C.B LAYOUT(COMPONENT SIDE)
 TOLERANCE FOR PCB LAYOUT IS ±0.05

GENERAL TOLERANCES (UNLESS SPECIFIED)	DRAWN BY: HuangXiaoHao	Date: 2023.11.11	GOLDCONN TECHNOLOGIES COMPANY LIMITED	
X.XXX ±0.10	CHECKED BY: liuzongliang	Date: 2023.11.11	TITLE: USB TYPE-C FEMALE 16P 热高款 CH=3.5	
X.XX ±0.25	APPROVED BY: Jacky	Date: 2023.11.11	PART NO. SEE THE PART NUMBER CODE	DWG NO. CF216-007-02
X.X ±0.30	ANGULAR ±3°	THIRD ANGLE PROJECTION	UNT mm	SCALE 1:1
			DRAWING A4	SHEET NO. 2 OF 2
				REV. A