

REV	ECN No.	DATE	REMARK
A	NEW	2020.01.03	NEW RELEASE
B	--	2024.06.25	整理图纸, 增加TID NO.

NOTE:
1.ELECTRICAL PERFORMANCE,
1-1. CURRENT RATING:5 AMPS. FOR TOTAL VBUS/GND PINS;
1.25AMPS FOR CC PIN,
0.25 AMPS. FOR ALL OTHER CONTACT.
1-2. VOLTAGE RATING:20V DC/AC (RMS. MAX)
1-3. LLCR:.
VBUS & GND PINS AND OTHER PINS: 40MΩ/PIN MAX.
SHIELD:50MΩ/MAX.
LLCR MAX. CHANGE OF ALL PINS: 10MΩ.
1-4.INSULATION RESISTANCE: 100MΩ MIN
1-5.DIELECTRIC WITHSTAND VOLTAGE,AC 100V FOR 1 MINUTE.
2.MECHANICAL PERFORMANCE,
2-1.INSERTION FORCE: 5~20N.
2-2.EXTRACTION FORCE: 8~20N.
2-3.DURABILITY: 10000 CYCLES.
3.ENVIRONMENTAL PERFORMANCE:
OPERATING TEMPERATURE: -25°C~+85°C.
4.IR REFLOW:
THE PEAK TEMPERATURE ON THE BOARD SHALL
BE MAINTAINED FOR 10 SECONDS AT 260°C.
5.COMPLIANCE WITH ROHS REQUIREMENTS.
6.SALT SPRAY:24H
7.TID No.:11296
8. With "▲" for the key control size

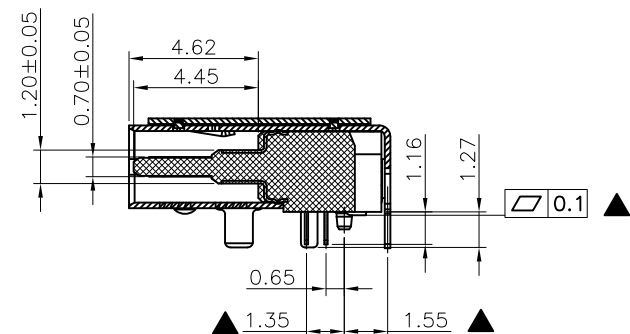
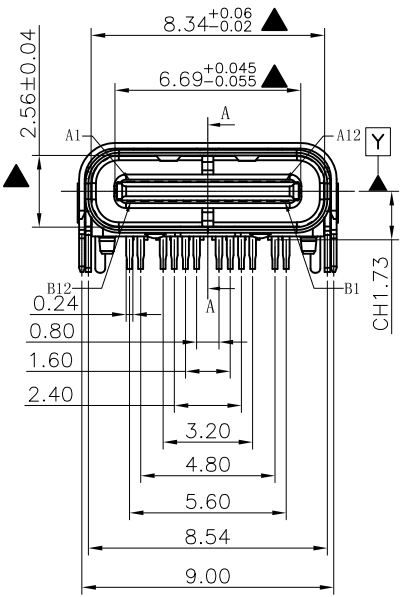
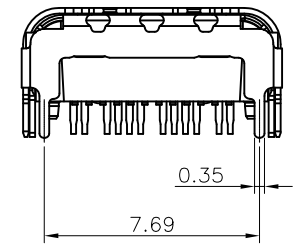
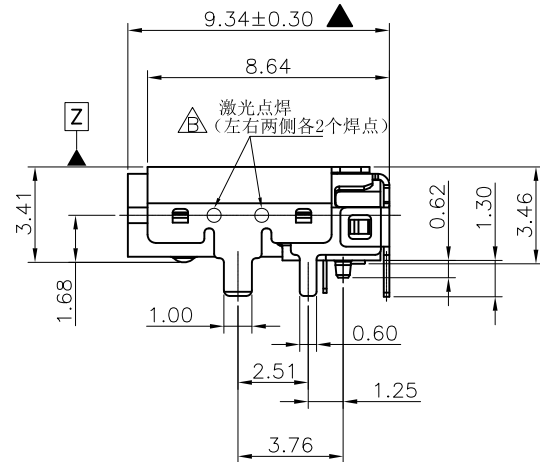
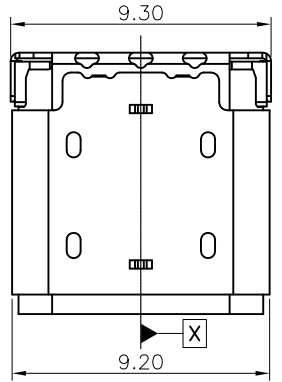
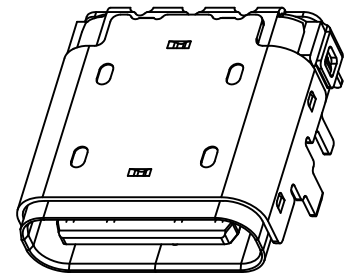
9.PART NUMBER CODE:
CF216 - 24 S L B 12 R - 02

- ① HOUSING COLOR:
B:BLACK
- ② CONTACTS PLATED:
12:Contact Area: Au 3u"
Solder Tails:GF
15:Contact Area: Au 30u"
Solder Tails:GF
- ③ PACKING OPTIONS:
R:TAPE & REEL

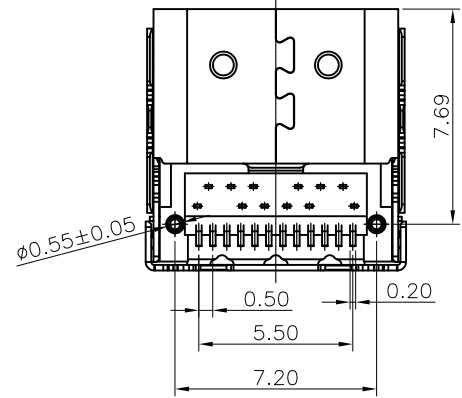
TABLE:

NO	PART	Q'TY	Material
1	INNER SHELL	1	STAINLESS STEEL 304, NI 30u" MIN PLATED
2	TOP SHELL	1	STAINLESS STEEL 304, NI 30u" MIN PLATED
3	EMI Plate	1	STAINIESS STEEL 301,NI 30u" MIN PLATED
4	Mid Plate	1	STAINIESS STEEL 301, NO PLATED
5	SMT CONTACT	12	COPPER ALLOY C18400,Au Plated On Vontact Area GF Plated On Solder Area;Nickel 50u"Min Underplating Over All.
7	DIP CONTACT	12	COPPER ALLOY C18400,Au Plated On Vontact Area GF Plated On Solder Area;Nickel 50u"Min Underplating Over All.
8	HOUSING	1	LCP BLACK UL94 V-0

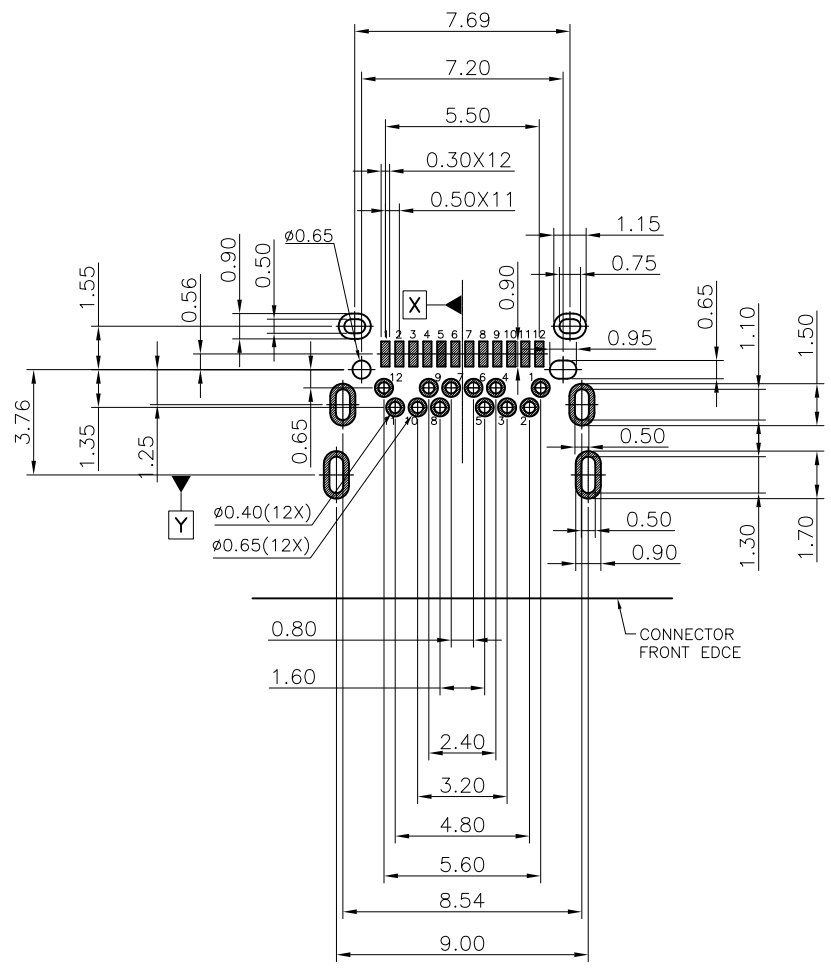
PART NO.:		DRAWN BY:		GOLDCONN TECHNOLOGIES COMPANY LIMITED		
SEE THE PART NUMBER CODE		HuangXiaoHao				
GENERAL TOLERANCES		CHECKED BY:		TITLE		
x.xxxx	± ---	liuzongliang				
x.xxx	± 0.10	APPROVED BY:				
x.xx	± 0.20	Jacky				
x.x	± 0.30					
ANGULAR	± 3'	THIRD ANGLE PROJECTION		USB TYPE-C FEMALE 24PIN 前插后贴带 上铁壳L=9.34 CH1.73		
		DIMENSIONS	SCALE	DRAWING	SHEET NO.	DWG.NO.
		mm	1:1	A4	1 OF 2	CF216-24-02



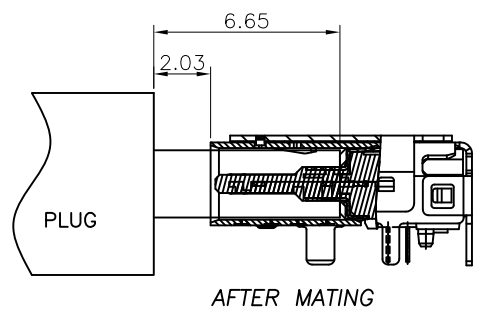
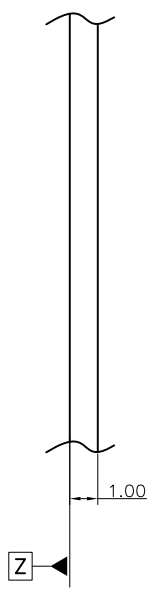
SECTION A-A
SCALE 1:1



REV	ECN No.	DATE	REMARK
A	NEW	2020.01.03	NEW RELEASE
B	--	2024.06.25	整理图纸, 增加TID NO.



RECOMMEND P.C.B LAYOUT(T=1.00mm)
TOLERANCE UNSPECIFIED ±0.05mm



PIN DEFINITION:

PIN No.	A1	A2	A3	A4	A5	A6	A7	A8	A9	A10	A11	A12
SIGNAL NAME	GND	TX1+	TX1-	VBus	CC1	D+	D-	SBU1	VBus	RX2-	RX2+	GND
PIN No.	B12	B11	B10	B9	B8	B7	B6	B5	B4	B3	B2	B1
SIGNAL NAME	GND	RX1+	RX1-	VBus	SBU2	D-	D+	CC2	VBus	TX2-	TX2+	GND

PART NO.:		DRAWN BY:		GOLDCONN TECHNOLOGIES COMPANY LIMITED									
SEE THE PART NUMBER CODE		HuangXiaoHao											
GENERAL TOLERANCES		CHECKED BY:		TITLE									
x.xxxx ± ---		liuzongliang											
x.xxx ± 0.10		APPROVED BY:		USB TYPE-C FEMALE 24PIN 前插后贴带 上壳壳L=9.34 CH1.73									
x.xx ± 0.20		Jacky											
x.x ± 0.30		THIRD ANGLE PROJECTION		DIMENSIONS		SCALE		DRAWING		SHEET NO.		DWG.NO.	
ANGULAR ± 3°				mm		1:1		A4		2 OF 2		CF216-24-02	