

NOTE:
 1.ELECTRICAL PERFORMANCE,
 1-1. CURRENT RATING:5 AMPS. FOR TOTAL VBUS/GND PINS;
 1.25AMPS FOR CC PIN,0.25 AMPS. FOR ALL OTHER CONTACT.
 1-2. VOLTAGE RATING:5V/20V/48V DC/AC (RMS. MAX)
 1-3. LLCR:.
 VBUS & GND PINS AND OTHER PINS: 40MΩ/PIN MAX.
 SHIELD:50MΩ/MAX.
 LLCR MAX. CHANGE OF ALL PINS: 10MΩ.
 1-4.INSULATION RESISTANCE: 100MΩ MIN
 1-5.DIELECTRIC WITHSTAND VOLTAGE,AC 100V FOR 1 MINUTE.
 2.MECHANICAL PERFORMANCE,
 2-1.INSERTION FORCE: 5~20N.
 2-2.EXTRACTION FORCE: 8~20N.
 2-3.DURABILITY: 10000 CYCLES.
 3.ENVIRONMENTAL PERFORMANCE:
 OPERATING TEMPERATURE: -25°C~+85°C.
 4.IR REFLOW:
 THE PEAK TEMPERATURE ON THE BOARD SHALL BE MAINTAINED FOR 10 SECONDS AT 260°C.
 5.COMPLIANCE WITH ROHS REQUIREMENTS.
 6.SALT SPRAY:48H
 7. With "▲" for the key control size
 8.PART NUMBER CODE:
 CF 217 - 24 S L B XX R - 02
 (1) (2)

(1) HOUSING COLOR:
 B:BLACK
 (2) CONTACTS PLATED:
 02:半金鍍3u"

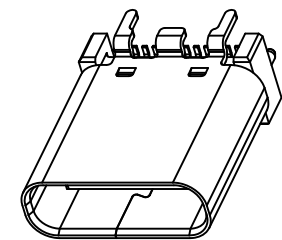


TABLE:			Material	
NO	PART	Q'TY		
1	SHELL	1	STAINLESS STEEL 304 T=0.30MM, NI 30u" MIN PLATED	
2	EMI Plate	1	STAINLESS STEEL 301 T=0.10MM,NI 30u" MIN PLATED	
3	Mid Plate	1	STAINLESS STEEL 301 T=0.15MM, NO PLATED	
4	CONTACT	24	COPPER STEEL C18400,T=0.12MM; Au(PART NUMBER CODE) plated on contact area Matte Tin plated 60u"min on solder area;Nickel 50u"min underplating over all.	
5	HOUSING	1	LCP BLACK UL94 V-0	
6	CAP	1	LCP BLACK UL94 V-0	

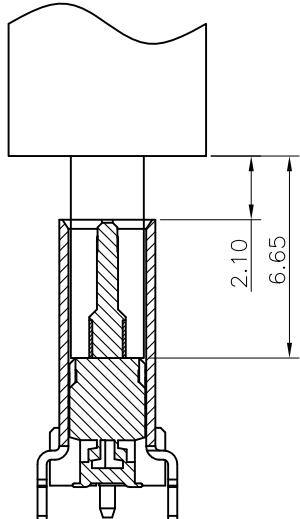
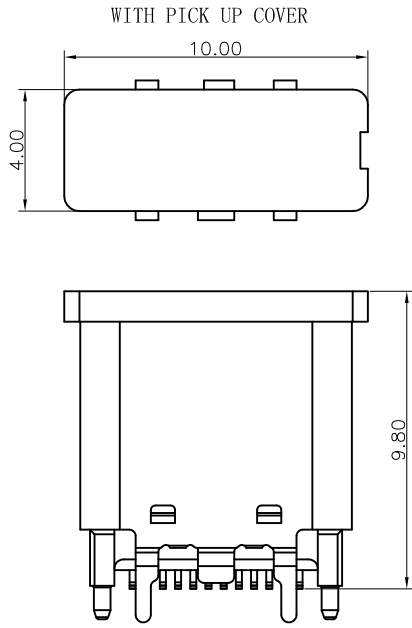
PART NO.:		GOLDCONN TECHNOLOGIES COMPANY LIMITED		DRAWN BY: SAM	
SEE THE PART NUMBER CODE		TITLE		CHECKED BY: JAY	
QUALITY SYMBOL	0	GENERAL TOLERANCES	USB TYPE-C FEMALE 24P VERTICAL 180° H=8.8 SMT		
	∇	x.xxxx	±	---	APPROVED BY: JACKY
		x.xxx	±	0.10	
		x.xx	±	0.25	
		x.x	±	0.30	
	ANGULAR	±	---		

	THIRD ANGLE PROJECTION	UNIT	SCALE	SHEET NO.	DWG.NO.
		mm	1:1	1 OF 2	CF217-24-02

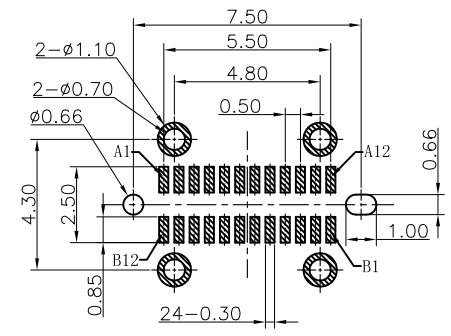
RoHS Compliant 

THIS DRAWING CONTAINS INFORMATION THAT IS PROPRIETARY TO ZDT TECHNOLOGY. AND SHOULD NOT BE USED WITHOUT WRITTEN PERMISSION

REV	ECN No.	DATE	REMARK
A	NEW	2023.08.12	NEW RELEASE



AFTER MATING



RECOMMEND P.C.B LAYOUT (COMPONENT SIDE)
TOLERANCE FOR PCB LAYOUT IS ±0.05

PIN DEFINITION:

PIN No.	A1	A2	A3	A4	A5	A6	A7	A8	A9	A10	A11	A12
	GND	TX1+	TX1-	VBus	CC1	D+	D-	SBU1	VBus	RX2-	RX2+	GND
PIN No.	B12	B11	B10	B9	B8	B7	B6	B5	B4	B3	B2	B1
	GND	RX1+	RX1-	VBus	SBU2	D-	D+	CC2	VBus	TX2-	TX2+	GND

PART NO.:		GOLDCONN TECHNOLOGIES COMPANY LIMITED				DRAWN BY: SAM	
SEE THE PART NUMBER CODE		TITLE				CHECKED BY: JAY	
QUALITY SYMBOL	0	GENERAL TOLERANCES		USB TYPE-C FEMALE 24P VERTICAL 180° H=8.8 SMT		APPROVED BY: JACKY	
	0	x.xxxx	± ---				
	0	x.xxx	± 0.10				
	0	x.xx	± 0.25				
	0	x.x	± 0.30				
0	ANGULAR	± ---°	THIRD ANGLE PROJECTION		UNIT	SCALE	SHEET NO.
				mm	1:1	2 OF 2	DWG.NO.
							CF217-24-02

frame size: A4