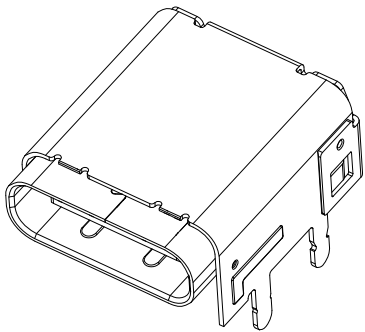
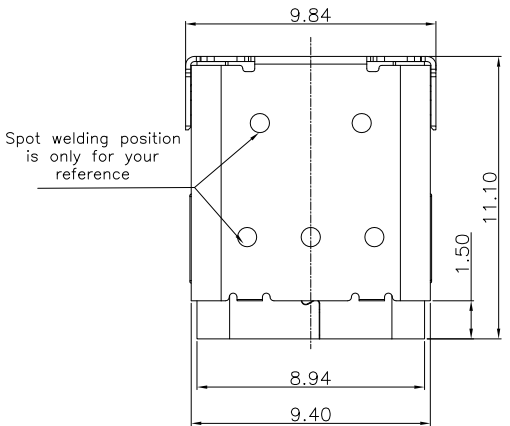
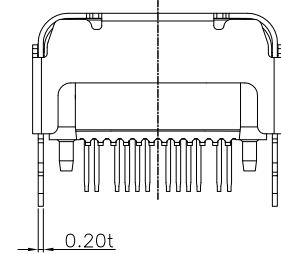
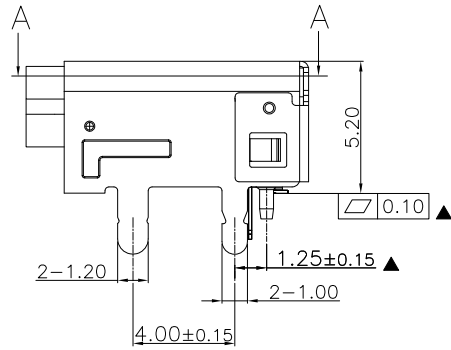
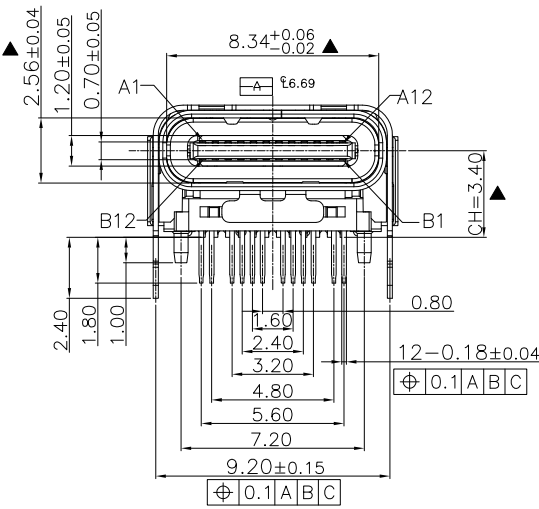


REV	ECN No.	DATE	REMARK
A	NEW	2024.03.28	NEW RELEASE



NOTE:

- ELECTRICAL PERFORMANCE:
 - CURRENT RATING:
 - 5.0AMPS. FOR TOTAL VBUS/GND PINS;
 - 1.25AMPS FOR CC PIN,
 - 0.25 AMPS. FOR ALL OTHER CONTACT.
 - VOLTAGE RATING:20V DC/AC (RMS. MAX)
 - LLCR:
 - VBUS & GND PINS AND OTHER PINS: 40MΩ/PIN MAX.
 - SHIELD:50MΩ/MAX.
 - LLCR MAX. CHANGE OF ALL PINS: 10MΩ.
 - INSULATION RESISTANCE: 100MΩ MIN
 - DIELECTRIC WITHSTAND VOLTAGE,AC 100V FOR 1 MINUTE.
- MECHANICAL PERFORMANCE,
 - INSERTION FORCE: 5~20N.
 - EXTRACTION FORCE: 8~20N.
 - DURABILITY: 10000 CYCLES.
- ENVIRONMENTAL PERFORMANCE:
 - OPERATING TEMPERATURE: -25°C~+85°C.
- IR REFLOW:
 - THE PEAK TEMPERATURE ON THE BOARD SHALL BE MAINTAINED FOR 10 SECONDS AT 260°C.
- COMPLIANCE WITH ROHS REQUIREMENTS.
- SALT SPRAY:24H
- With "▲" for the key control size



8.PART NUMBER CODE:

CF 2 24 - 022 S L B 01 R - 04

- PACKING OPTIONS:
 - R:TAPE & REEL
- CONTACTS PLATED:
 - 01>Contact Area: Au 1u"
 - Solder Tails:tin
- HOUSING COLOR:
 - B:BLACK
- HOUSING MATERIALS:
 - L:LCP
- Pin No.:
 - 24:24Pin
- Product type:
 - 2:TOP-MOUNT

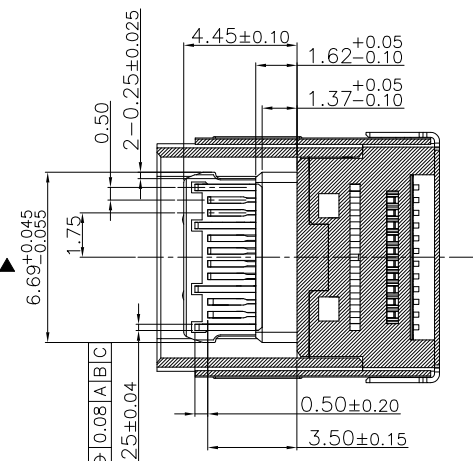
PIN DEFINITION:

PIN No.	A1	A2	A3	A4	A5	A6	A7	A8	A9	A10	A11	A12
SIGNAL NAME	GND	TX1+	TX1-	VBUS	CC1	D+	D-	SBU1	VBUS	RX2-	RX2+	GND
PIN No.	B12	B11	B10	B9	B8	B7	B6	B5	B4	B3	B2	B1
SIGNAL NAME	GND	RX1+	RX1-	VBUS	SBU2	D-	D+	CC2	VBUS	TX2-	TX2+	GND

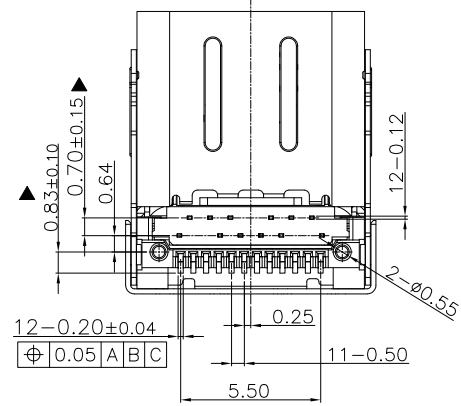
MATERIAL LIST:

5	MID PLATE	1	SUS301	
4	OUT SHELL	1	SUS304	PLATING NI 30u"Min.
3	INNER SHELL	1	SUS304	PLATING NI 30u"Min.
2	CONTACT	24	C7025	PLATING Au SEE "TABLE 1" at CONTACT AREA, PLATING Matte-Tin 80u"Min. at SOLDERING TAIL, PLATINGni 30u"Min. OVERALL.
1	HOUSING	1	LCP	(UL 94V-0) BLACK

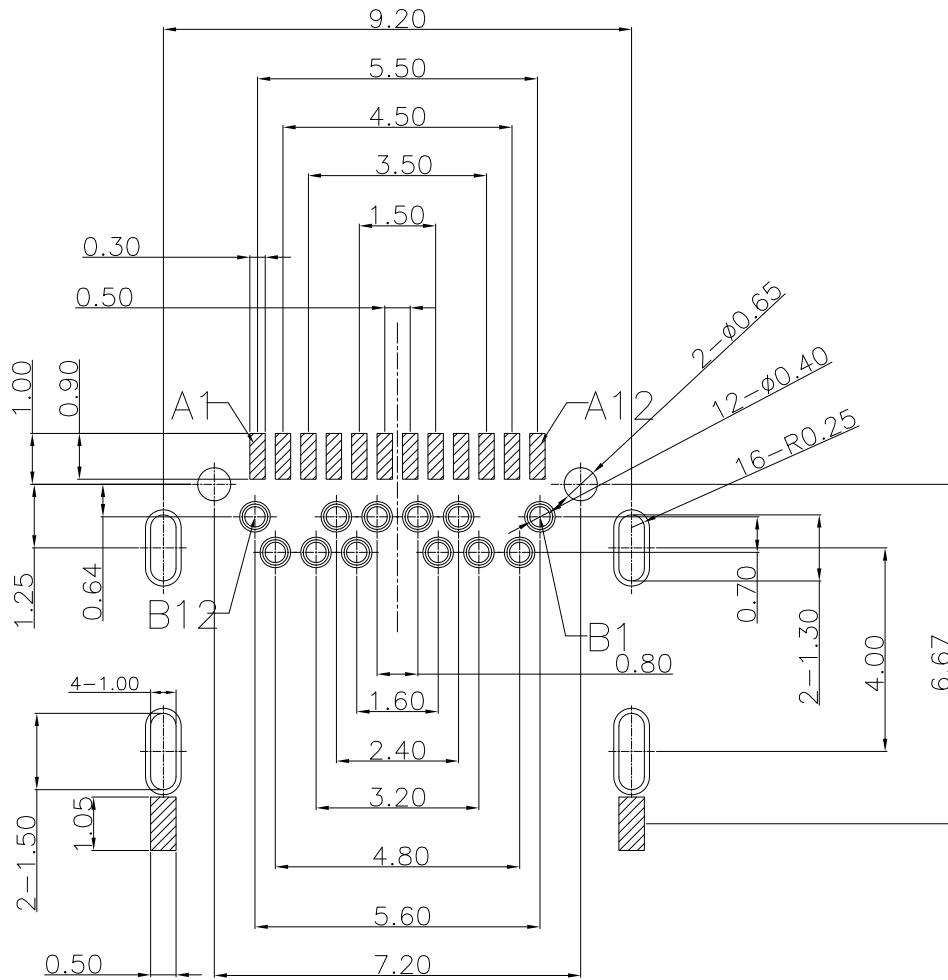
No.	PART NAME	QTY	MATERIAL	REMARK
PART NO.:		DRAWN BY: HuangXiaoHao		
SEE THE PART NUMBER CODE		CHECKED BY: liuzongliang		
GENERAL TOLERANCES		APPROVED BY: Jacky		
x.xxxx	±	---	TITLE	
x.xxx	±	0.10	USB TYPE-C FEMALE 24PIN加高型 CH3.40 DIP+SMT	
x.xx	±	0.25	THIRD ANGLE PROJECTION	
x.x	±	0.30	DIMENSIONS	
ANGULAR	±	3°	SCALE	1:1
		DRAWING		A4
		SHEET NO.		1 OF 2
		DWG.NO.		CF224-022-04



SECTION A-A



REV	ECN No.	DATE	REMARK
A	NEW	2024.03.28	NEW RELEASE



RECOMMENDED P.C.B LAYOUT(COMPANENT SIDE)

PCB THICKNESS:2.0±0.05mm

SCALE:2:1

PART NO.:		DRAWN BY:		GOLDCONN TECHNOLOGIES COMPANY LIMITED			
SEE THE PART NUMBER CODE		HuangXiaoHao					
GENERAL TOLERANCES		CHECKED BY:		TITLE			
x.xxxx ± ---		liuzongliang					
x.xxx ± 0.10		APPROVED BY:		USB TYPE-C FEMALE 24PIN加高型 CH3.40 DIP+SMT			
x.xx ± 0.25		Jacky					
x.x ± 0.30		THIRD ANGLE PROJECTION		DIMENSIONS			
ANGULAR ± 3°				SCALE	DRAWING	SHEET NO.	DWG.NO.
				mm	1:1	A4	2 OF 2
				CF224-022-04			