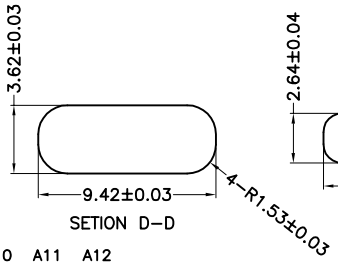
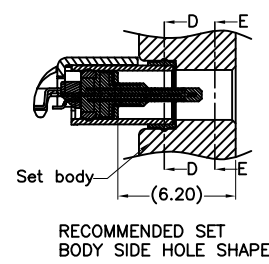
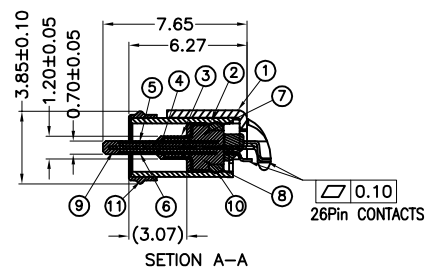
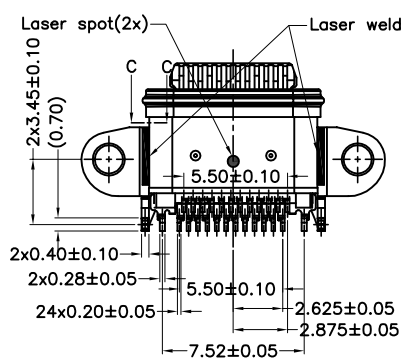


PART NUMBER CODE:(产品料号)
CF246-24SL X XX R-C3
(1)(2)

- (1) HOUSING COLOR: B:BLACK
- (2) CONTACTS PLATED: 14:接触镀金15u"焊接镀金1u"

Item	Title	Material	Dispose
1	Frame	Stainless Steel, T=0.40	Ni:40u" Min.
2	Shell	Stainless Steel, T=0.30	Ni:40u" Min.
3	GND Plate	Stainless Steel, T=0.10	None
4	Mid Plate	Stainless Steel, T=0.15	Ni 40u"Min.+Solder area: Au 1u"Min.
5	Top Contact	Copper Alloy, T=0.12	Mating Area: Ni 80u"+Au 15u" Min.
6	Bottom Contact	Copper Alloy, T=0.12	Solder Tais: Ni 80u"+Au 1u" Min.
7	Housing A	High Temperature Plastic	UL 94V-0/Black
8	Housing B	High Temperature Plastic	UL 94V-0/Black
9	Housing C	High Temperature Plastic	UL 94V-0/Black
10	Rubber(O-ring)	Si	White or Gray
11	Rubber	Si	Black



PIN DEFINITION:

A1	A2	A3	A4	A5	A6	A7	A8	A9	A10	A11	A12
GND	TX1+	TX1-	VBus	CC1	D+	D-	SBU1	VBus	RX2-	RX2+	GND
GND	RX1+	RX1-	VBus	SBU2	D-	D+	CC2	VBus	TX2-	TX2+	GND
B12	B11	B10	B9	B8	B7	B6	B5	B4	B3	B2	B1

PART NO.: SEE THE PART NUMBER CODE

GOLDCONN TECHNOLOGIES COMPANY LIMITED

DRAWN BY SAM DATE 2020.10.15

QUALITY SYMBOL	GENERAL TOLERANCES (UNLESS SPECIFIED)	
	x.xxxxx	± ---
	x.xxx	± 0.10
	x.xx	± 0.25
	x.x	± 0.30
ANGULAR	± ---	

TITLE: USB TYPE C 24PIN防水沉板CHO.7带耳舌片外露
DWG.NO. CF246-24-C3
DIMENSION STYLE: MM ONLY
DESIGN UNITS: METRIC
SCALE: 1:1

CHECKED BY JAY DATE 2020.10.15
APPROVED BY JACKY DATE 2020.10.15
SHEET NO. 1 OF 1
THIRD ANGLE PROJECTION