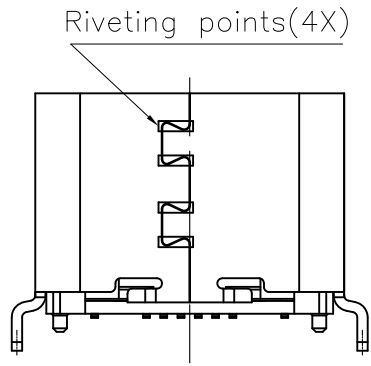
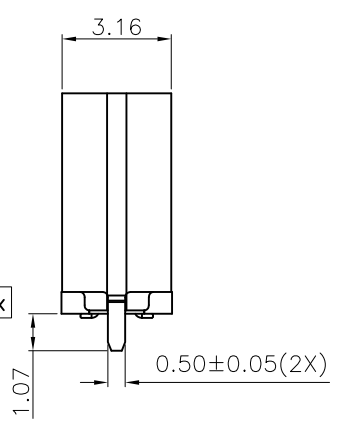
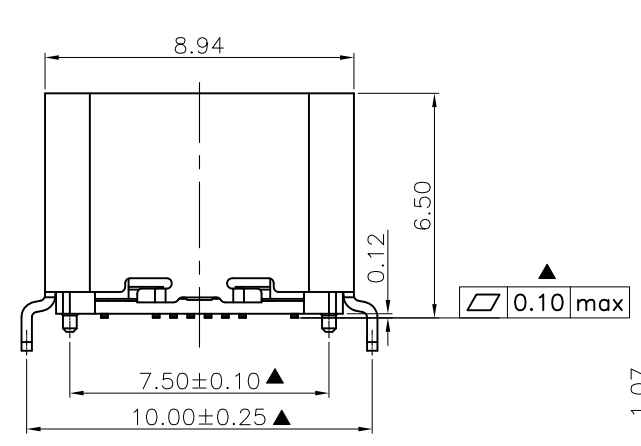
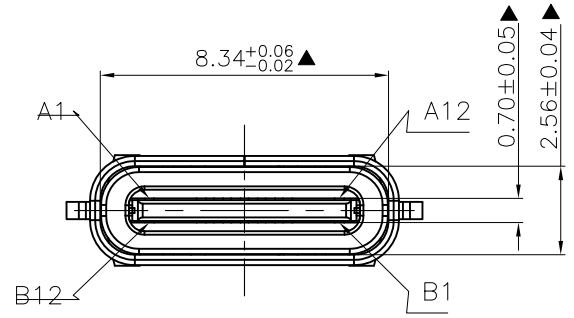


REV	ECN No.	DATE	REMARK
A	NEW	2021.01.11	NEW RELEASE



NOTE:

- ELECTRICAL PERFORMANCE,
 - CURRENT RATING:5 AMPS. FOR TOTAL VBUS/GND PINS; 1.25AMPS FOR CC PIN, 0.25 AMPS. FOR ALL OTHER CONTACT.
 - VOLTAGE RATING:20V DC/AC (RMS. MAX)
 - LLCR:..
- MECHANICAL PERFORMANCE,
 - INSULATION RESISTANCE: 100MΩ MIN
 - DIELECTRIC WITHSTAND VOLTAGE,AC 100V FOR 1 MINUTE.
- ENVIRONMENTAL PERFORMANCE:
 - OPERATING TEMPERATURE: -25°C~+85°C.
- IR REFLOW:
 - THE PEAK TEMPERATURE ON THE BOARD SHALL BE MAINTAINED FOR 10 SECONDS AT 260°C.
- COMPLIANCE WITH ROHS REQUIREMENTS.
- SALT SPRAY:48H
- With ▲ for the key control size

8.PART NUMBER CODE:
CF252-16 S L B 12 X - C3

PACKING OPTIONS:
R:TAPE & REEL
VR:TAPE & REEL+真空包装

CONTACTS PLATED:
12:Contact Area: Au 3u"
Solder Tails:GF

HOUSING COLOR:
B:BLACK

HOUSING MATERIAL:
L:LCP

PIN DEFINITION:

PIN No.	A1			A4	A5	A6	A7	A8	A9			A12
SIGNAL NAME	GND			VBUS	CC1	D+	D-	SBU1	VBUS			GND

PIN No.	B12			B9	B8	B7	B6	B5	B4			B1
SIGNAL NAME	GND			VBUS	SBU2	D-	D+	CC2	VBUS			GND

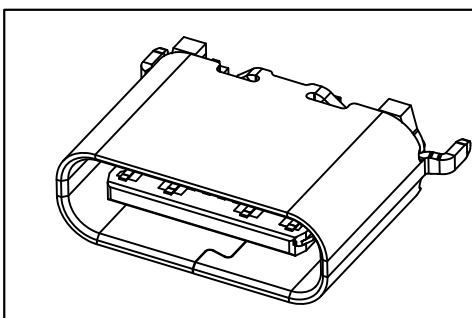
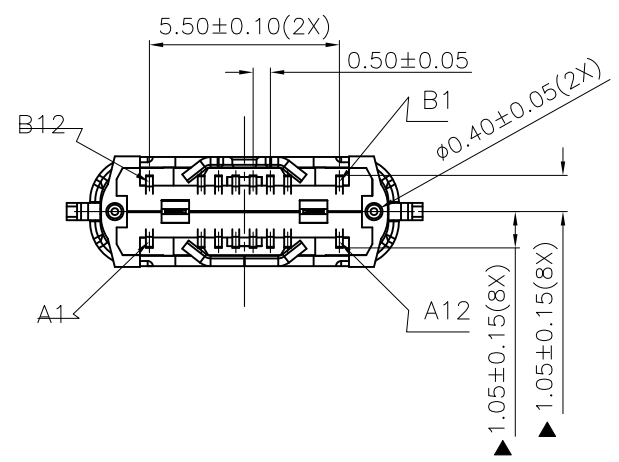


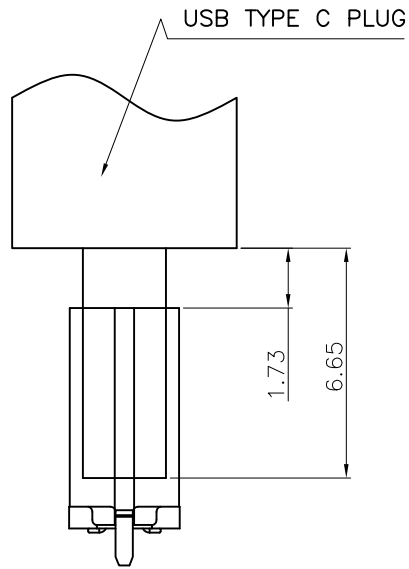
TABLE:

NO	PART	QTY	Material
1	SHELL	1	STAINLESS STEEL 304 T=0.30mm, NI 30u" MIN PLATED
2	Mid Plate	1	STAINLESS STEEL 301 T=0.15mm, NO PLATED
3	CONTACT	16	COPPER STEEL C18150,Au(PART NUMBER CODE) T=0.12mmplated on contact area GF solder area;Nickel 50u"min underplating over all.
4	HOUSING	1	LCP BLACK UL94 V-0
5	CAP	1	LCP BLACK UL94 V-0

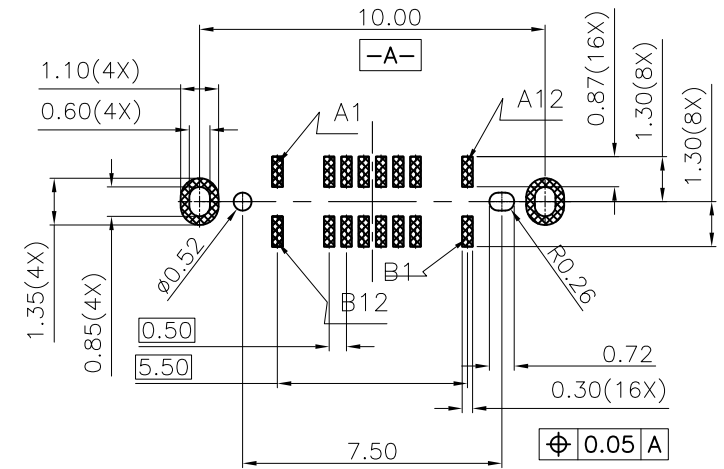
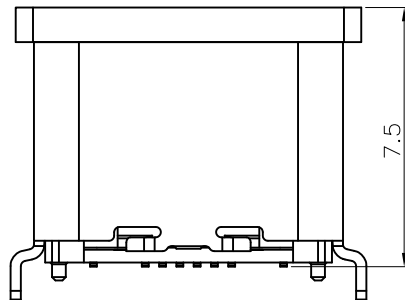
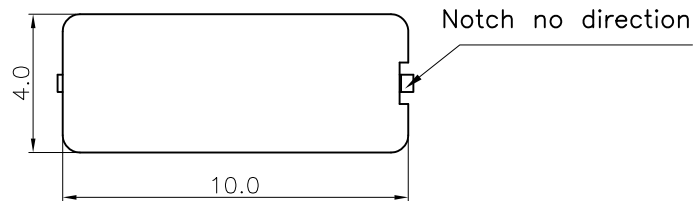
PART NO.:	DRAWN BY:	GOLDCONN TECHNOLOGIES COMPANY LIMITED
SEE THE PART NUMBER CODE	HuangXiaoHao	
GENERAL TOLERANCES	CHECKED BY:	
x.xxxx ± ---	liuzongliang	
x.xxx ± 0.10	APPROVED BY:	TITLE
x.xx ± 0.25	Jacky	
x.x ± 0.30		
ANGULAR ± 3°	THIRD ANGLE PROJECTION	USB TYPE-C FEMALE 16PIN H6.50 侧面铁壳脚

DIMENSIONS	SCALE	DRAWING	SHEET NO.	DWG.NO.
mm	1:1	A4	1 OF 2	CF252-16-C3

REV	ECN No.	DATE	REMARK
A	NEW	2021.01.11	NEW RELEASE



FEMALE AND MALE MATCHING DRAWING



RECOMMENDED PCB LAYOUT(TOP VIEW)
THICKNESS 0.8±0.10MM;DEFAULT TOLERANCE:±0.05

PART NO.:		DRAWN BY:		GOLDCONN TECHNOLOGIES COMPANY LIMITED					
SEE THE PART NUMBER CODE		HuangXiaoHao							
GENERAL TOLERANCES		CHECKED BY:		TITLE					
x.xxxx ± ---		liuzongliang							
x.xxx ± 0.10		APPROVED BY:		USB TYPE-C FEMALE 16PIN H6.50 侧面镀光脚					
x.xx ± 0.25		Jacky							
x.x ± 0.30		THIRD ANGLE PROJECTION		DIMENSIONS		SCALE	DRAWING	SHEET NO.	DWG.NO.
ANGULAR ± 3°				mm		1:1	A4	2 OF 2	CF252-16-C3