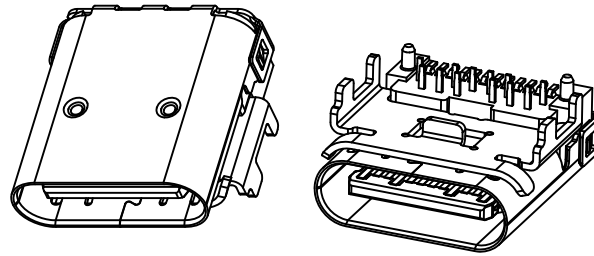
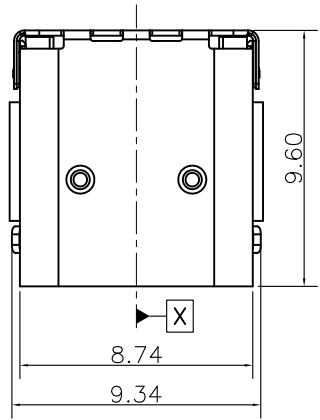


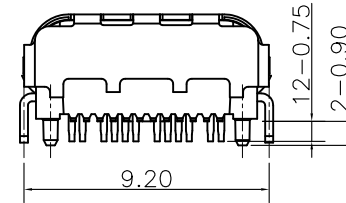
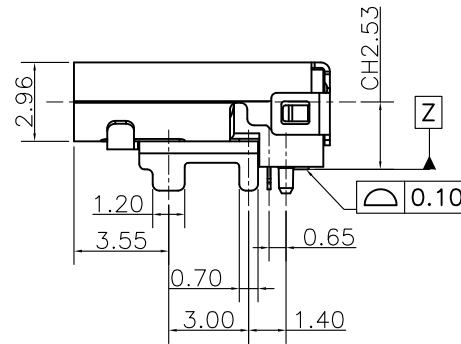
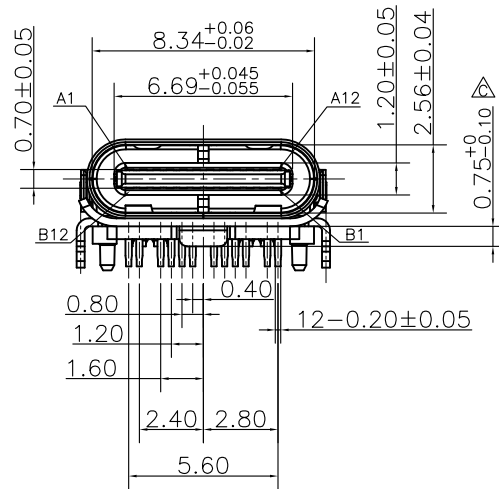
TID NO. 9900

REV	ECN No.	DATE	REMARK
C	---	2025.02.06	Add:0.75+0/-0.10



NOTE:

1. ELECTRICAL CHARACTERISTICS:
 - 1.1 CONTACT RESISTANCE: 40mΩ Max FOR INITIAL. 10mΩ CHANGE AFTER TEST. MEASURE AT 20mV, 100mA.
 - 1.2 CONTACT CURRENT RATING: 5A FOR VBUS PIN; 1.25A FOR VCONN PIN.
 - 1.3 DIELECTRIC WITHSTANDING VOLTAGE: 100V AC R.M.S.
 - 1.4 INSULATION RESISTANCE 100MΩ Min
 - 1.5 OPERATING TEMPERATURE: -40°C ~ 85°C
2. MECHANICAL CHARACTERISTICS:
 - 2.1 MATING FORCE: 5~20 N.
 - 2.2 UNMATED FORCE: 8~20N AFTER TEST
 - 2.3 DURABILITY: 10,000 CYCLES
3. PLATING
 - 3.1 TERMINAL CONTACT: (SEE TAB) GOLD PLATING ALL OVER 50u" Min NICKEL AND 80u"Min Tin ALL OVER 50u" Min NICKEL ON SOLDER AREA
 - 3.2 SHELL: 50u" Min. NICKEL ALL OVER,
4. SALT SPRAY: 24H



5. PART NUMBER CODE:

CF253-24 L B 02 R - 02
 ① ② ③ ④

- ① HOUSING MATERIAL:
L: LCP
- ② HOUSING COLOR:
B: BLACK
- ③ CONTACTS PLATED:
02: 半金锡3u"
- ④ PACKING OPTIONS
R: TAPE & REEL

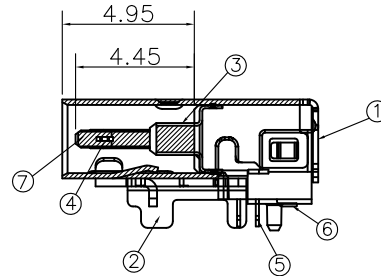
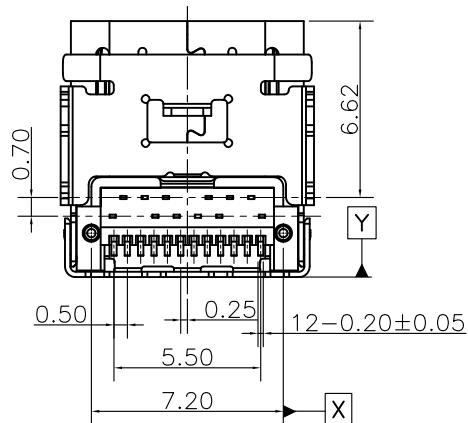


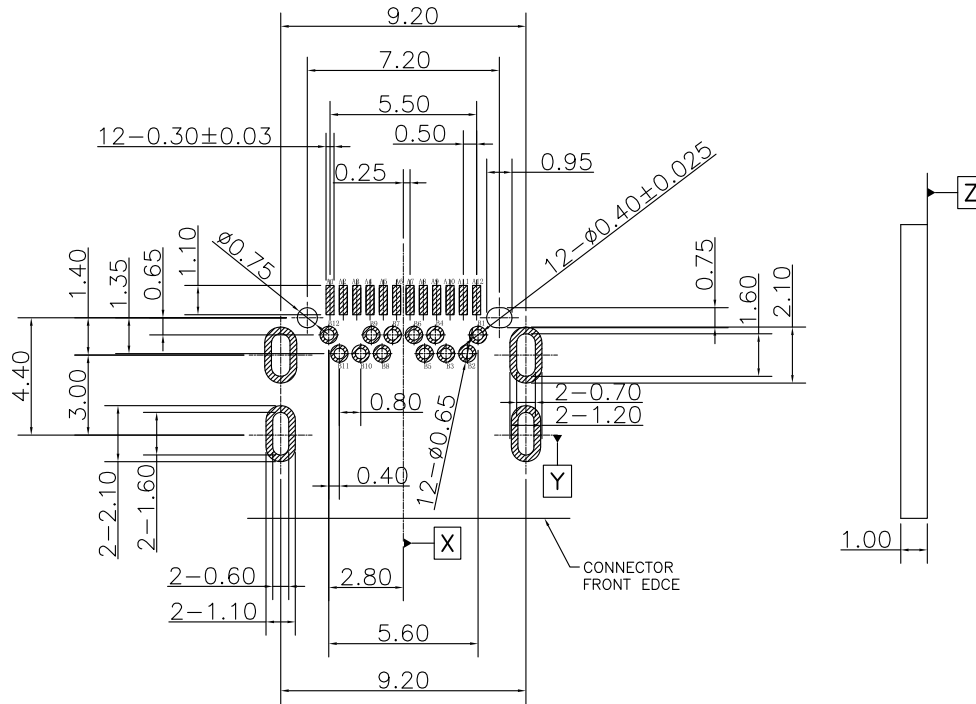
TABLE:

NO	PART	Q'TY	Material
1	SHELL	1	STAINLESS STEEL 304, NI 30u" MIN PLATED
2	DOWN SHELL	1	STAINLESS STEEL 304, NI 30u" MIN PLATED
3	EMI Plate	1	STAINLESS STEEL 301, NI 30u" MIN PLATED
4	MID PLATE	1	STAINLESS STEEL 301, NO PLATED
5	DIP CONTACT	12	COPPER STEEL C18400, Au Plated On Vontact Area GF Plated On Solder Area; Nickel 50u"Min Underplating Over All.
6	SMT CONTACT	12	COPPER STEEL C18400, Au Plated On Vontact Area GF Plated On Solder Area; Nickel 50u"Min Underplating Over All.
7	HOUSING	1	LCP BLACK UL94 V-0

GENERAL TOLERANCES (UNLESS SPECIFIED)		DRAWN BY: Date: HuangXiaoHao 2025.02.06		GOLDCONN TECHNOLOGIES COMPANY LIMITED	
X.XXX	±0.10	CHECKED BY: Date: liuzongliang 2025.02.06	TITLE		
X.XX	±0.15	APPROVED BY: Date: Jacky 2025.02.06	USB TYPE-C FEMALE REC 24PIN 板上L=9.6MM排距0.70MM侧高CH=2.53MM		
X.X	±0.25		PART NO.	DWG NO.	
ANGULAR	±3°		SEE THE PART NUMBER CODE	CF253-24-02	
THIRD ANGLE PROJECTION	UNT	SCALE	DRAWING	SHEET NO.	REV.
	mm	1:1	A4	1 OF 2	A

TID NO. 9900

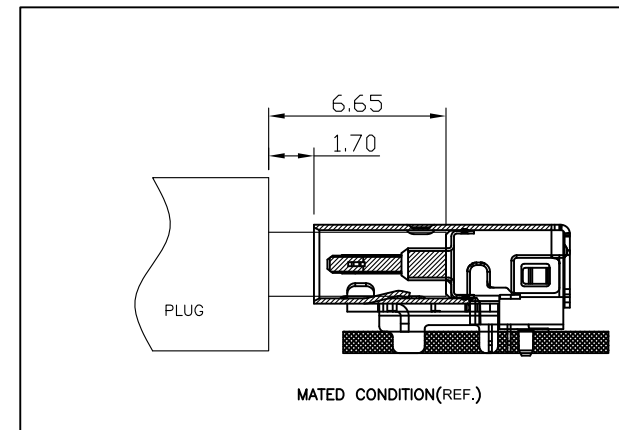
REV	ECN No.	DATE	REMARK
C	---	2025.02.06	Add:0.75+0/-0.10



RECOMMENDED P.C.B LAYOUT
PCB THICKNESS 1.0±0.05mm

PIN DEFINITION:

PIN No.	A1	A2	A3	A4	A5	A6	A7	A8	A9	A10	A11	A12
SIGNAL NAME	GND	TX1+	TX1-	VBus	CC1	D+	D-	SBU1	VBus	RX2-	RX2+	GND
PIN No.	B12	B11	B10	B9	B8	B7	B6	B5	B4	B3	B2	B1
SIGNAL NAME	GND	RX1+	RX1-	VBus	SBU2	D-	D+	CC2	VBus	TX2-	TX2+	GND



GENERAL TOLERANCES (UNLESS SPECIFIED)		DRAWN BY: HuangXiaoHao	Date: 2025.02.06	GOLDCONN TECHNOLOGIES COMPANY LIMITED	
X.XXX	±0.10	CHECKED BY: liuzongliang	Date: 2025.02.06	TITLE: USB TYPE-C FEMALE REC 24PIN	
X.XX	±0.15	APPROVED BY: Jacky		板上L=9.6MM排距0.70MM垫高CH=2.53MM	
X.X	±0.25	Date: 2025.02.06		PART NO. SEE THE PART NUMBER CODE	
ANGULAR	±3°	DRAWING		DWG NO. CF253-24-02	
THIRD ANGLE PROJECTION	UNT mm	SCALE 1:1		SHEET NO. 2 OF 2	
		DRAWING A4		REV. A	