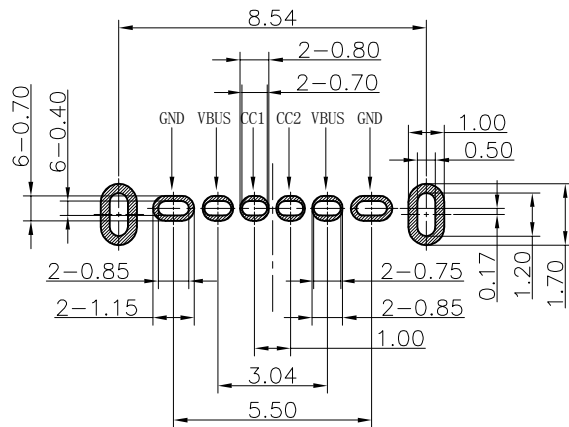
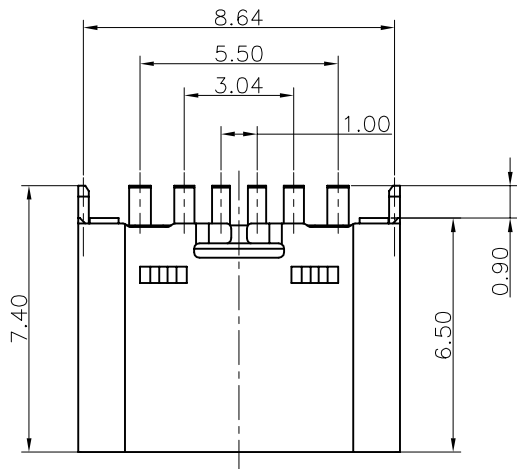


RoHS Compliant

REV	ECN No.	DATE	REMARK
A	NEW	2020.07.07	NEW RELEASE

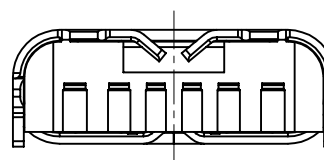
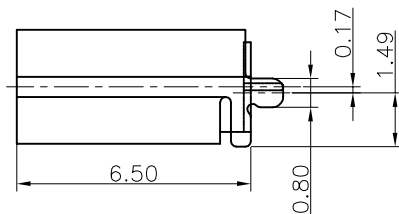
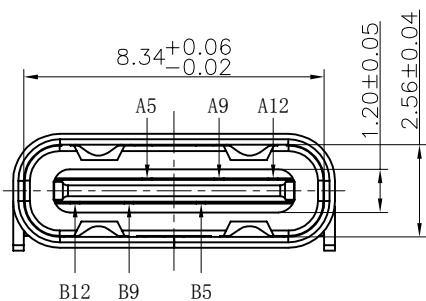


RECOMMEND P.C.B LAYOUT
TOLERANCE UNSPECIFIED ±0.05mm

- NOTES:
SPECIFICATION:
1.CURRENT RATING: 3.0A MAX
2.VOLTAGE: 100 VAC
3.TEMPERATURE RANGE: -30°C~+85°C
4.CONTACT RESISTANCE: 40 MILLIONHM MAX
5.INSULATION RESISTANCE: 100 MEGOHMS MIN
6.INSERTION FORCE: 5N~20N
7.UNMATING FORCE: 8N~20N
8.DURABILITY: 10000 CYCLES
9. PART NUMBER CODE:(产品料号)

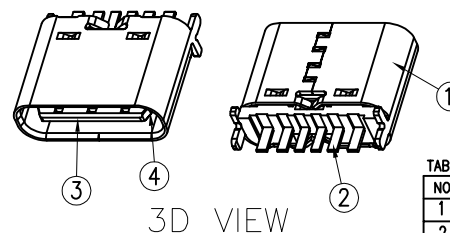
CF256-06 X X XX XX-02
(1) (2)(3) (4)

- (1) HOUSING MATERIAL:
L:LCP
(2) HOUSING COLOR:
B:BLACK
(3) CONTACTS PLATED:
11:接触镀金1u"其它GF
(4) PACKING OPTIONS
R:TAPE & REEL(常用料)
VR:卷装+真空包装(专用客户指定包规)

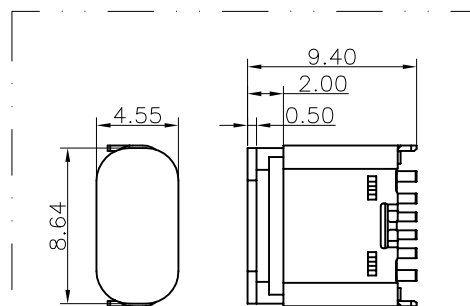
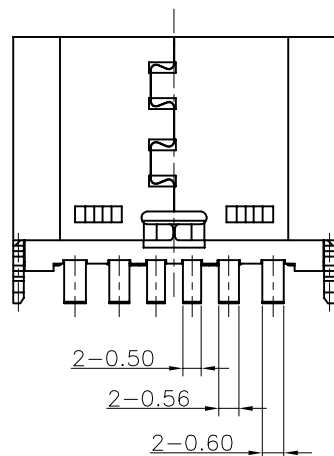


USB TYPE C PIN ASSIGNMENTS

PIN NUMBER	SIGNAL NAME	PIN NUMBER	SIGNAL NAME
A5	CC1	B12	GND
A9	VBUS	B9	VBUS
A12	GND	B5	CC2



NO	PART	Q'TY	Material
1	SHELL	1	STAINLESS STEEL,NI PLATED
2	CONTACT	6	COPPER STEEL,TIN/Au/NI PLATED
3	HOUSING	1	HIGH TEMPERATURE RESISTANT PLASTIC BLACK UL94 V-0
4	Latch	2	STAINLESS STEEL



加塞子示意图
SCALE 2:1

PART NO.: SEE THE PART NUMBER CODE		GOLDCONN TECHNOLOGIES COMPANY LIMITED		DRAWN BY SAM	DATE 2020.07.07
GENERAL TOLERANCES (UNLESS SPECIFIED)		TITLE TYPE CF 6P单排直立式DIP H=6.5(TO.3)		CHECKED BY JAY	DATE 2020.07.07
QUALITY SYMBOL	x.xxxxx	DWG.NO.	CF256-06-02	APPROVED BY JACKY	DATE 2020.07.07
	x.xxx	DIMENSION STYLE	MM ONLY	SCALE 1:1	
	x.xx	DESIGN UNITS	METRIC	THIRD ANGLE PROJECTION	
	x.x	SCALE	1:1	frame size: A4	
	ANGULAR				