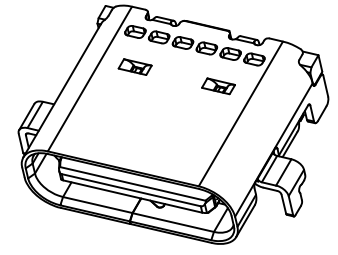
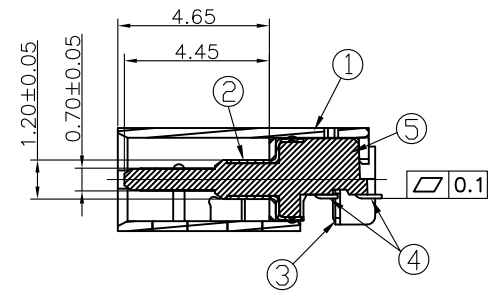
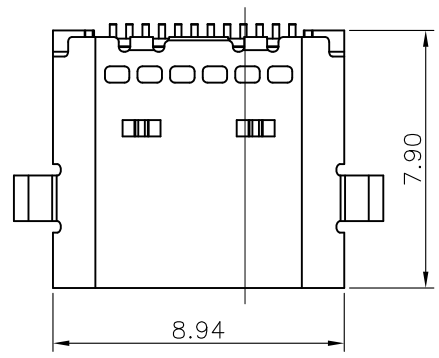


TID NO. 10565
IEC62680-1-3 24T04N002791-001-COM

REV	ECN No.	DATE	REMARK
A	NEW	2021.01.02	NEW RELEASE



SECTION A-A

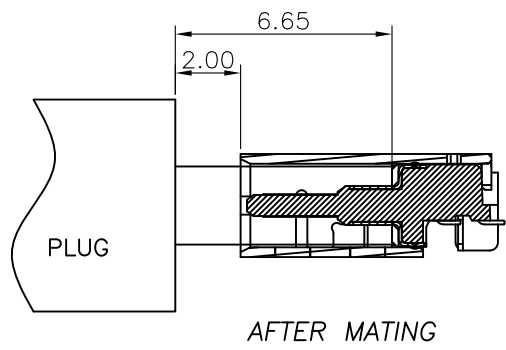
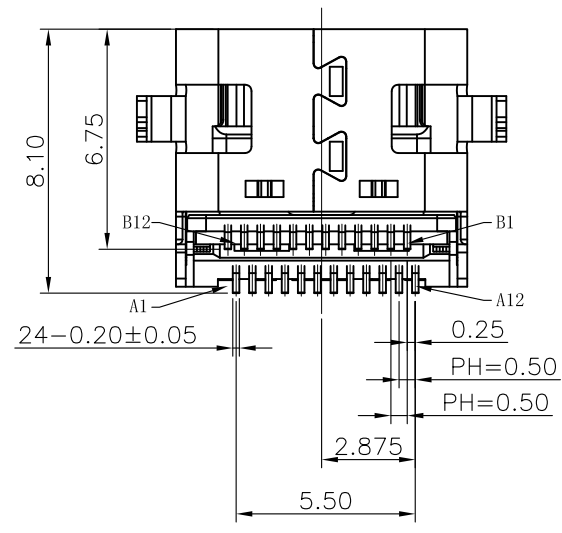
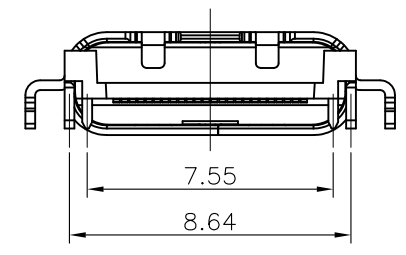
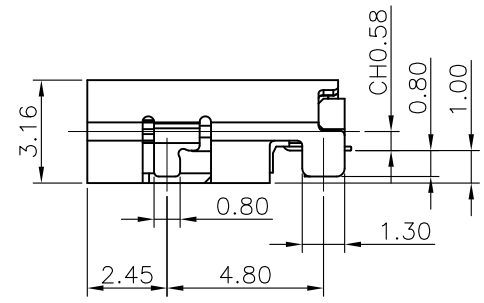
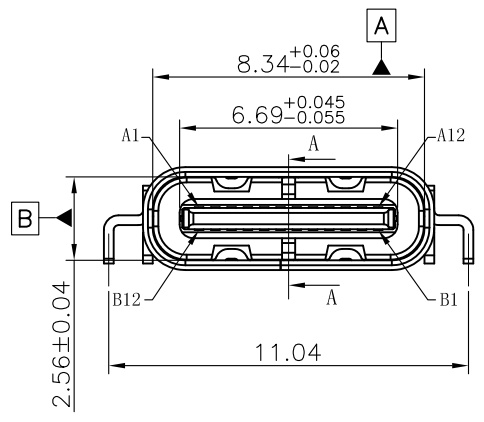


TABLE: $\triangle B$

NO	PART	Q'TY	Material
1	SHELL	1	Stainless Steel SUS304 T=0.30mm, NI 30u" MIN PLATED
2	EMI Plate	1	Stainless Steel SUS301 T=0.10mm, NI 30u" MIN PLATED
3	Mid Plate	1	Stainless Steel SUS301 T=0.15mm, Matte Tin plated 50u"min on solder area; Nickel 50u"min underplating over all.
4	CONTACT	24	COPPER STEEL C18400, Au plated on contact area GF Plated on solder area; Nickel 50u"min underplating over all.
5	HOUSING	1	LCP BLACK UL94 V-0

GENERAL TOLERANCES (UNLESS SPECIFIED)		DRAWN BY: Date: HuangXiaoHao 2023.09.25		GOLDCONN TECHNOLOGIES COMPANY LIMITED	
X.XXX	±0.10	CHECKED BY: liuzongliang	Date: 2023.09.25	TITLE: USB Type-C MID-MOUNT SINK 1.0mm DUAL ROW SMT, CH=0.58mm	
X.XX	±0.25	APPROVED BY: Date: Jacky 2023.09.25		PART NO. CF259-24LBXXR-02	DWG NO. CF259-24-02
X.X	±0.30	THIRD ANGLE PROJECTION		UNIT: mm	SCALE: 1:1
ANGULAR	±3°	DRAWING: A4	SHEET NO. 1 OF 2	REV. A	

REV	ECN No.	DATE	REMARK
A	NEW	2021.01.02	NEW RELEASE

NOTE:

- 1.ELECTRICAL PERFORMANCE,
 - 1-1. CURRENT RATING:5 AMPS. FOR TOTAL VBUS/GND PINS;
1.25AMPS FOR CC PIN,
0.25 AMPS. FOR ALL OTHER CONTACT.
 - 1-2. VOLTAGE RATING:20V DC/AC (RMS. MAX)
 - 1-3. CONTACT RESISTANCE: 40MΩ MAX INITIAL.
50MΩ MAX AFTER TEST
 - 1-4.DIELECTRIC WITHSTANDING VOLTAGE: 100V AC
 - 1-5.INSULATION RESISTANCE:100MΩ MIN
- 2.MECHANICAL PERFORMANCE,
 - 2-1.INSERTION FORCE: 5~20N.
 - 2-2.EXTRACTION FORCE: 8~20N.
 - 2-3.DURABILITY: 10000 CYCLES.
- 3.ENVIRONMENTAL PERFORMANCE:
OPERATING TEMPERATURE: -25°C~+85°C.
- 4.IR REFLOW:
THE PEAK TEMPERATURE ON THE BOARD SHALL
BE MAINTAINED FOR 10 SECONDS AT 260°C.
- 5.COMPLIANCE WITH ROHS REQUIREMENTS.

Pin Definition:

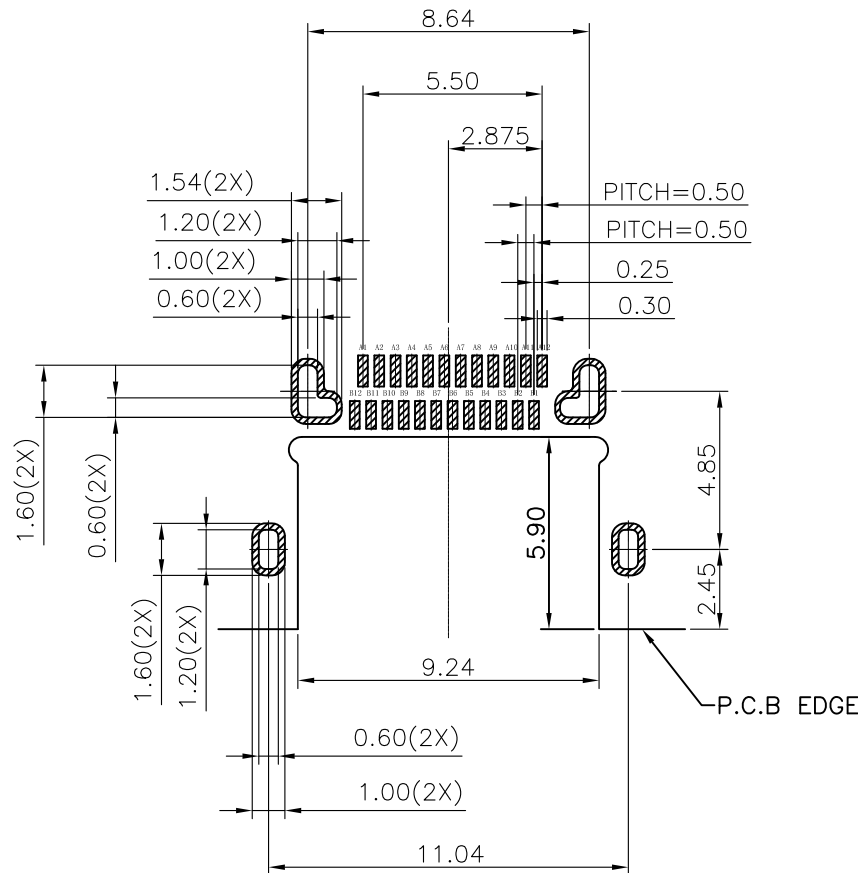
PIN No.	A1	A2	A3	A4	A5	A6	A7	A8	A9	A10	A11	A12
SIGNAL NAME	GND	TX1+	TX1-	VBus	CC1	D+	D-	SBU1	VBus	RX2-	RX2+	GND

PIN No.	B12	B11	B10	B9	B8	B7	B6	B5	B4	B3	B2	B1
SIGNAL NAME	GND	RX1+	RX1-	VBus	SBU2	D-	D+	CC2	VBus	TX2-	TX2+	GND

PART NUMBER CODE:

CF259-24 L B 12 R - 02
① ② ③

- ① HOUSING COLOR:
B:BLACK
- ② CONTACTS PLATED:
12:Contact Area: Au 3u"
Solder Tails:GF
- ③ PACKING OPTIONS:
R:TAPE & REEL



GENERAL TOLERANCES (UNLESS SPECIFIED)	DRAWN BY: HuangXiaoHao	Date: 2023.09.25	GOLDCONN TECHNOLOGIES COMPANY LIMITED		
X.XXX ±0.10	CHECKED BY: liuzongliang	Date: 2023.09.25	TITLE USB Type-C MID-MOUNT SINK1.0mm DUAL ROW SMT, CH=0.58mm		
X.X ±0.30	APPROVED BY: Jacky	Date: 2023.09.25	PART NO. CF259-24LBXXR-02	DWG NO. CF259-24-02	
ANGULAR ±3°	THIRD ANGLE PROJECTION	UNT mm	SCALE 1:1	DRAWING A4	SHEET NO. 2 OF 2
					REV. A