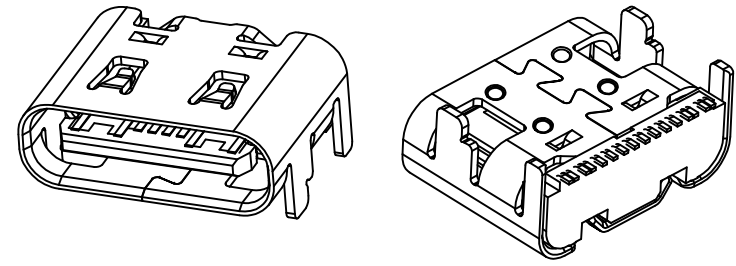
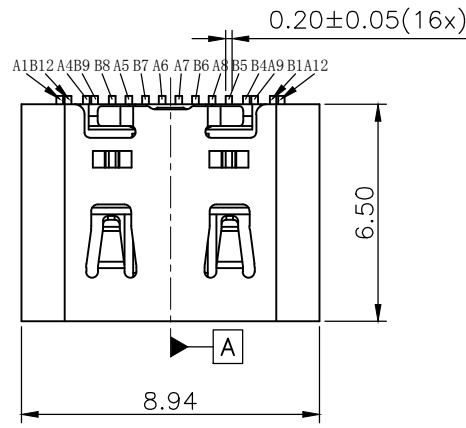
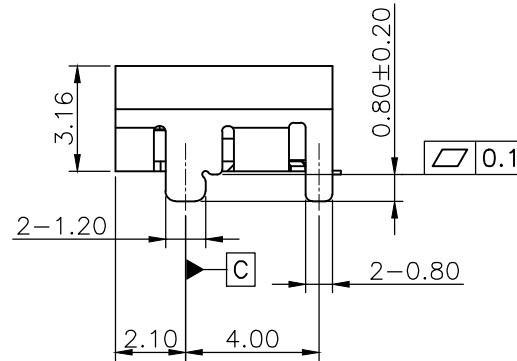
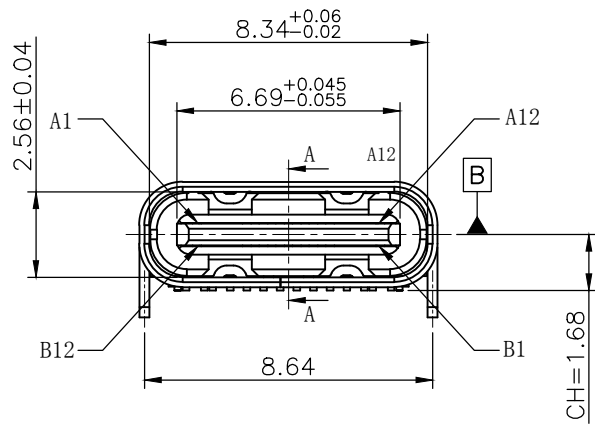


REV	ECN No.	DATE	REMARK
A	NEW	2024.10.10	NEW RELEASE



3D VIEW



PIN DEFINITION:

PIN No.	A1			A4	A5	A6	A7	A8	A9			A12
SIGNAL NAME	GND			VBus	CC1	D+	D-	SBU1	VBus			GND
PIN No.	B12			B9	B8	B7	B6	B5	B4			B1
SIGNAL NAME	GND			VBus	SBU2	D-	D+	CC2	VBus			GND

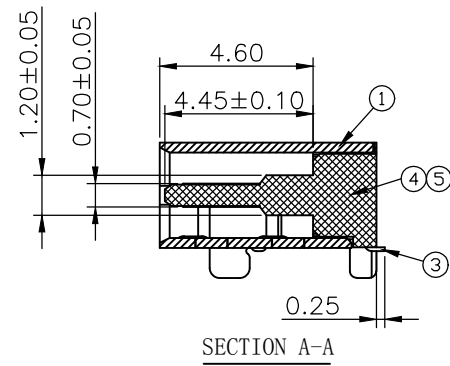
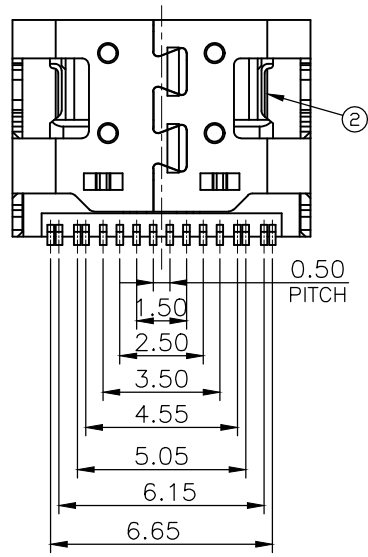


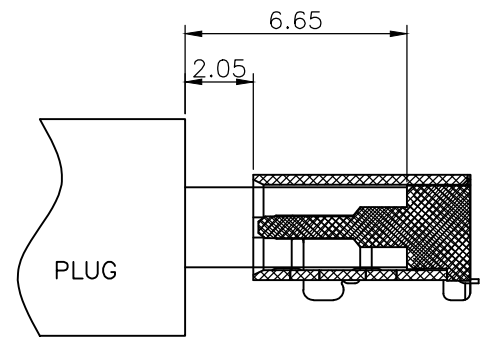
TABLE:

NO	PART	Q'TY	Material
1	SHELL	1	STAINLESS STEEL 304, NI 30u" MIN PLATED
2	Mid Plate	1	STAINLESS STEEL 301, NO PLATED
3	CONTACT	16	COPPER STEEL C18400,Au 3u"Plated On Vontact Area GF Plated On Solder Area;Nickel 50u"Min Underplating Over All.
4	1MD HOUSING	1	LCP/PA9T BLACK UL94 V-0
5	2MD HOUSING	1	LCP/PA9T BLACK UL94 V-0

GENERAL TOLERANCES (UNLESS SPECIFIED)		DRAWN BY: HuangXiaoHao	Date: 2024.01.25	GOLDCONN TECHNOLOGIES COMPANY LIMITED
X.XXX	±0.10	CHECKED BY: liuzongliang	Date: 2024.01.25	
X.XX	±0.25	APPROVED BY: Jacky	Date: 2024.01.25	TITLE USB TYPE-C Female 16Pin Top-Mount L=6.5 CH=1.68 Outer Shell With Shrapnel
X.X	±0.30			PART NO. SEE THE PART NUMBER CODE
ANGULAR	±3'			DWG NO. CF266-16-02

THIRD ANGLE PROJECTION	UNT	SCALE	DRAWING	SHEET NO.	REV.
	mm	1:1	A4	1 OF 2	A

REV	ECN No.	DATE	REMARK
A	NEW	2024.10.10	NEW RELEASE



AFTER MATING

NOTE:

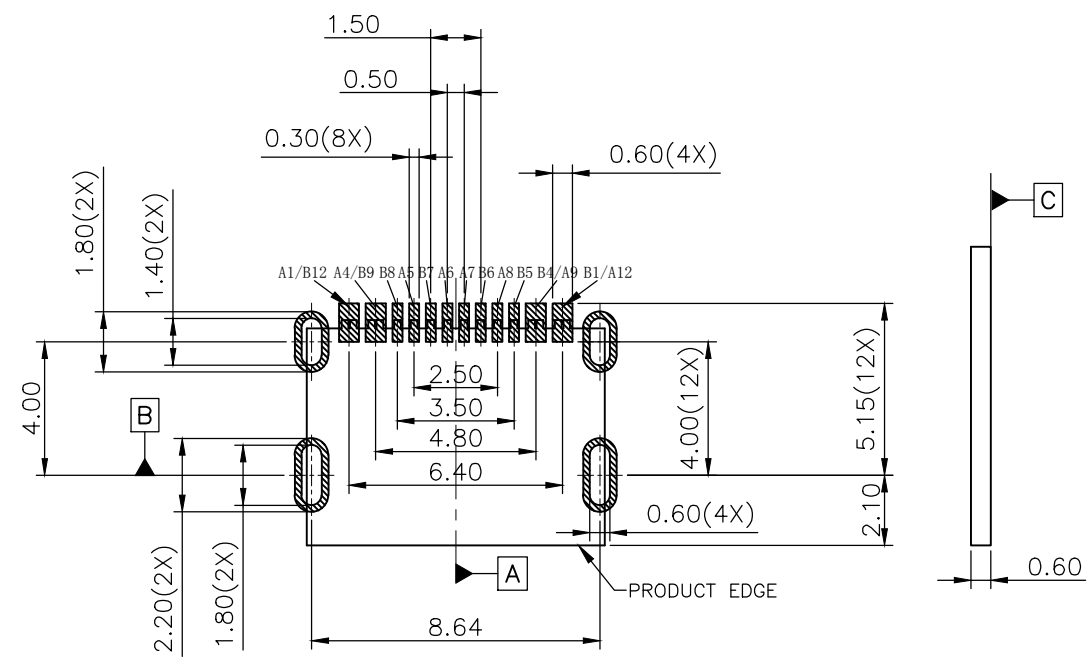
- ELECTRICAL PERFORMANCE,
 - CURRENT RATING:5 AMPS. FOR TOTAL VBUS/GND PINS; 1.25AMPS FOR CC PIN, 0.25 AMPS. FOR ALL OTHER CONTACT.
 - VOLTAGE RATING:20V DC/AC (RMS. MAX)
 - LLCR:.
VBUS & GND PINS AND OTHER PINS: 40MΩ/PIN MAX. SHIELD:50MΩ/MAX. LLCR MAX. CHANGE OF ALL PINS: 10MΩ.
 - INSULATION RESISTANCE: 100MΩ MIN
 - DIELECTRIC WITHSTAND VOLTAGE,AC 100V FOR 1 MINUTE.
- MECHANICAL PERFORMANCE,
 - INSERTION FORCE: 5~20N.
 - EXTRACTION FORCE: 8~20N.
 - DURABILITY: 10000 CYCLES.
- ENVIRONMENTAL PERFORMANCE:
OPERATING TEMPERATURE: -25°C~+85°C.
- IR REFLOW:
THE PEAK TEMPERATURE ON THE BOARD SHALL BE MAINTAINED FOR 10 SECONDS AT 260°C.
- COMPLIANCE WITH ROHS REQUIREMENTS.
- SALT SPRAY:48H

TID No. 11012

PART NUMBER CODE:
CF266-16 X B 12 R - 02

①②③

- ① HOUSING MATERIAL: L:LCP
C:PA9T
- ② HOUSING COLOR: B:BLACK
- ③ CONTACTS PLATED:
12:CONTACT AREA: AU 3U"
SOLDER TAILS:GF



RECOMMENDED PCB LAYOUT(TOP VIEW)
THICKNESS 0.60MM;DEFAULT TOLERANCE:±0.05

GENERAL TOLERANCES (UNLESS SPECIFIED)		DRAWN BY: HuangXiaoHao	Date: 2024.01.25	GOLDCONN TECHNOLOGIES COMPANY LIMITED	
X.XXX	±0.10	CHECKED BY: liuzongliang	Date: 2024.01.25	TITLE USB TYPE-C Female 16Pin Top-Mount L=6.5 CH=1.68 Outer Shell With Shrapnel	
X.XX	±0.25	APPROVED BY: Jacky	Date: 2024.01.25	PART NO. SEE THE PART NUMBER CODE	DWG NO. CF266-16-02
X.X	±0.30	THIRD ANGLE PROJECTION		SCALE 1:1	DRAWING A4
ANGULAR	±3°	UNT mm	SHEET NO. 2 OF 2	REV. A	