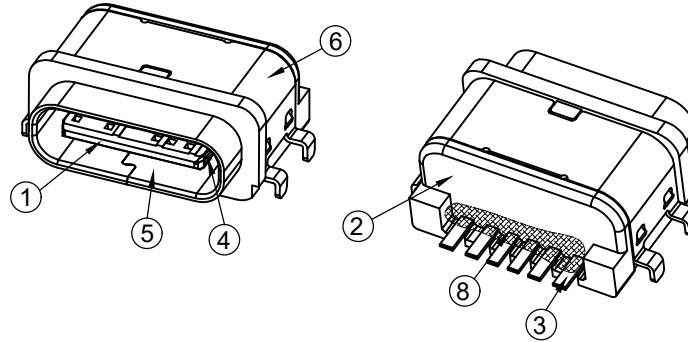
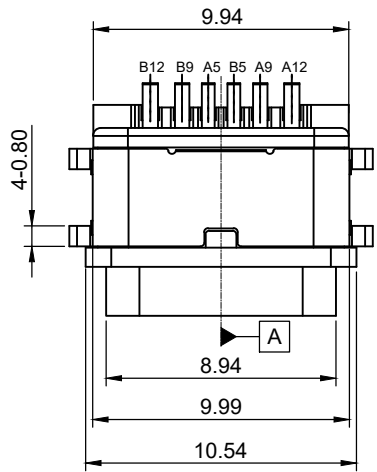


REV	ECN No.	DATE	REMARK
D	NEW	2024.10.07	修正2D与3D相符



SPECIFICATION:

- CURRENT RATING: 3.0A MAX.
- VOLTAGE: 100 VAC
- TEMPERATURE RANGE: -30 °C ~ 85 °C
- CONTACT RESISTANCE: 40 mΩ MAX.
- INSULATION RESISTANCE: 100 MΩ MIN.
- INSERTION FORCE: 5N~20N
- UNMATING FORCE: 8N~20N
- DURABILITY: 10,000 CYCLES
- WATER PROOFNESS: THIS PRODUCT IS BASED ON SEE THE PART NUMBER
- IR REFLOW: THE PEAK TEMPERATURE ON THE BOARD SHALL BE MAINTAINED FOR 10 SECONDS AT 260°C.
- SALT SPRAY: 24H
- WATERPROOF GRADE: IP68

PART NUMBER CODE:
CF306-003 S L B 01 VR - X - 02
1 2 3 4

1. HOUSING COLOR:
B: BLACK

2. CONTACTS PLATED:
01: CONTACT AREA: AU 1U", SOLDER TAILS: TIN

3. PACKING OPTIONS
VR: VR: TAPE & REEL + VACUUM PACKAGING

4. 防水等级选择:
无: 防水等级IP67(不打防水胶)
1: 防水等级IP45(不打防水胶)

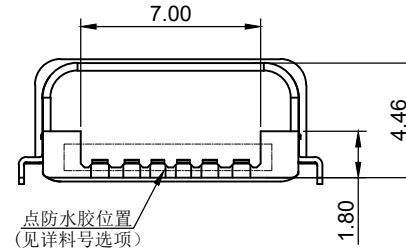
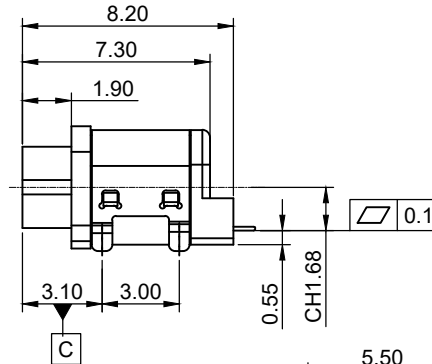
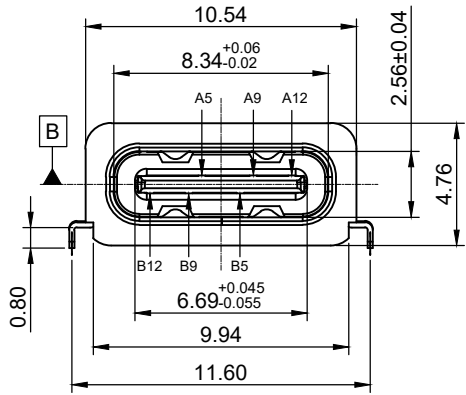
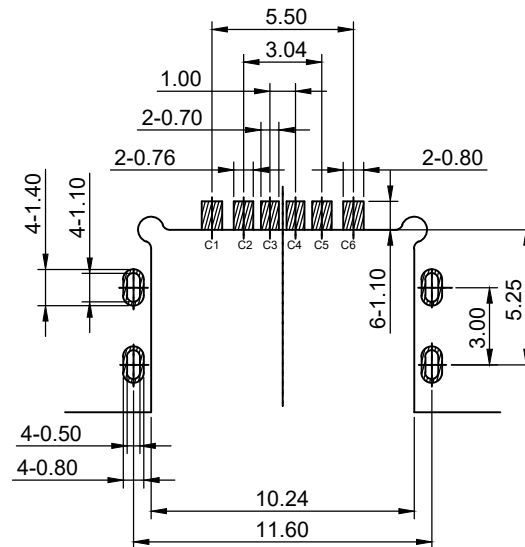
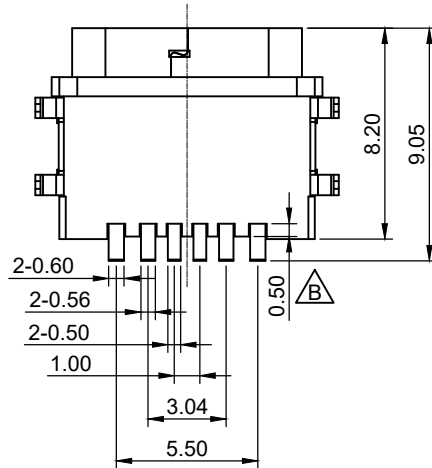


TABLE:

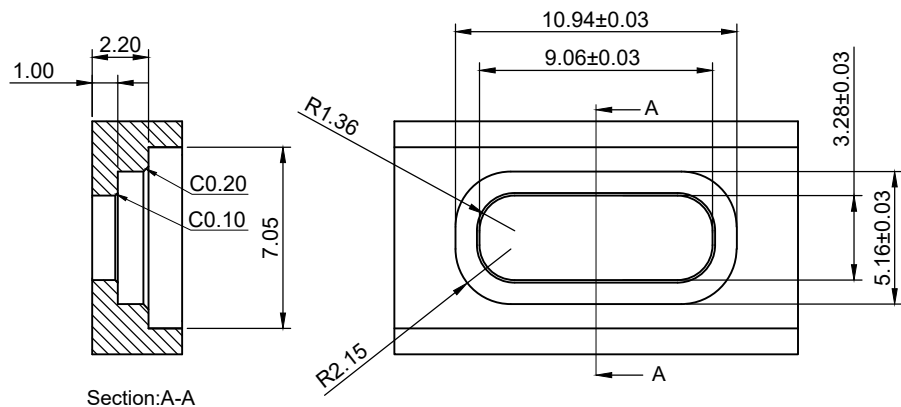
NO.	DESCRIPTION	MATERIAL	REMARKS	QTY
8	胶水	环氧胶	BLACK	--
7	O-RING	SILICONE RUBBER	BLACK 60A	1PCS
6	OUT SHELL	STAINLESS STEEL SUS304 T=0.30mm	NI 30u"MIN Plated	1PCS
5	INSIDE SHELL	STAINLESS STEEL SUS304 T=0.20mm	NI 30u"MIN Plated	1PCS
4	SHIELDING PLATE	STAINLESS STEEL SUS301 T=0.15mm	---	1PCS
3	CONTACT	COPPER ALLOY C2680 T=0.15mm	CONTACT AREA: AU 1U" SOLDER TAILS: Tin	1SET
2	SHELL HOUSING	HIGH TEMPERATURE PLASTIC LCP	UL94V-0 BLACK	1PCS
1	HOUSING	HIGH TEMPERATURE PLASTIC LCP	UL94V-0 BLACK	1PCS



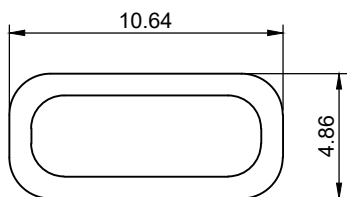
Recommended P.C.B. Layout Thickness: 0.80mm
Tolerance Unspecified ±0.05mm

GENERAL TOLERANCES (UNLESS SPECIFIED)		DRAWN BY: Date: HuangXiaoHao 2024.10.07		GOLDCONN TECHNOLOGIES COMPANY LIMITED	
X.XXX	±0.10	CHECKED BY: Date: liuzongliang 2024.10.07		TITLE: USB TYPE-C FEMALE 6PIN WATERPROOF IP68 MID-MOUNT 0.55 CH1.68	
X.XX	±0.25	APPROVED BY: Date: Jacky 2024.10.07		PART NO. SEE THE PART NUMBER CODE	DWG NO. CF306-003-02
X.X	±0.30	THIRD ANGLE PROJECTION	UNT mm	SCALE 1:1	DRAWING SHEET NO. A4 1 OF 2 REV. A

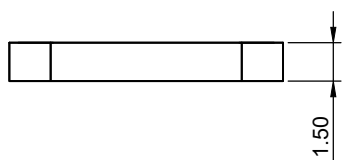
机壳开孔建议尺寸图



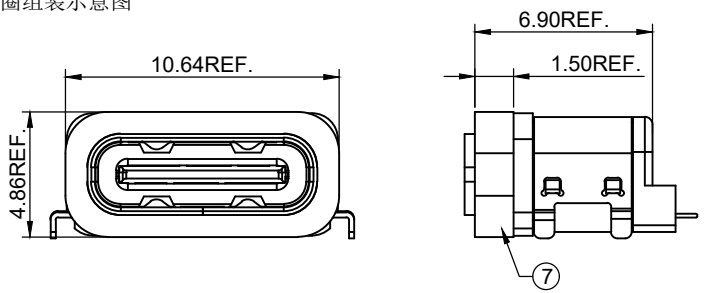
防水圈尺寸



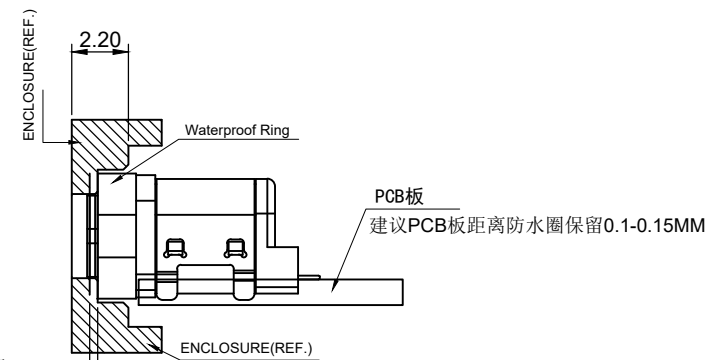
- 1.料号:GJ002GBP-02
- 2.材质:硅胶
- 3.硬度: 60A
- 4.颜色:黑色



防水圈组装示意图



REV	ECN No.	DATE	REMARK
D	NEW	2024.10.07	修正2D与3D相符



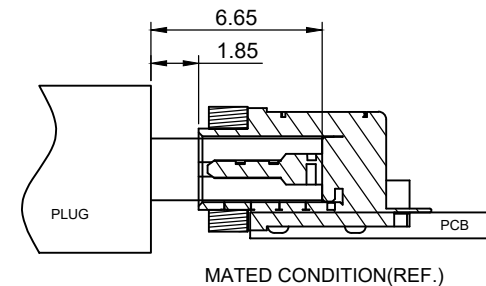
压缩量0.30

胶圈与机壳
建议周边干涉量

RECOMMENDED SCHEMATIC DRAWING
OF CONNECTOR MATCH CHASSIS

PIN ASSIGNMENT:

PIN NO	A1&B12	A4&B9	A5	B5	A9&B4	A12&B1
SIGNAL NAME	GND	VBUS	CC1	CC2	VBUS	GND
PCB PAD NO.	C1	C2	C3	C4	C5	C6



GENERAL TOLERANCES (UNLESS SPECIFIED)		DRAWN BY: HuangXiaoHao Date: 2024.10.07		GOLDCONN TECHNOLOGIES COMPANY LIMITED		
X.XXX	±0.10	CHECKED BY: liuzongliang Date: 2024.10.07		TITLE USB TYPE-C FEMALE 6PIN WATERPROOF IP68 MID-MOUNT 0.55 CH1.68		
X.XX	±0.25	APPROVED BY: Jacky Date: 2024.10.07		PART NO. SEE THE PART NUMBER CODE		DWG NO. CF306-003-02
X.X	±0.30	THIRD ANGLE PROJECTION		UNT mm	SCALE 1:1	DRAWING A4
ANGULAR	±3°			SHEET NO. 2 OF 2		REV. A