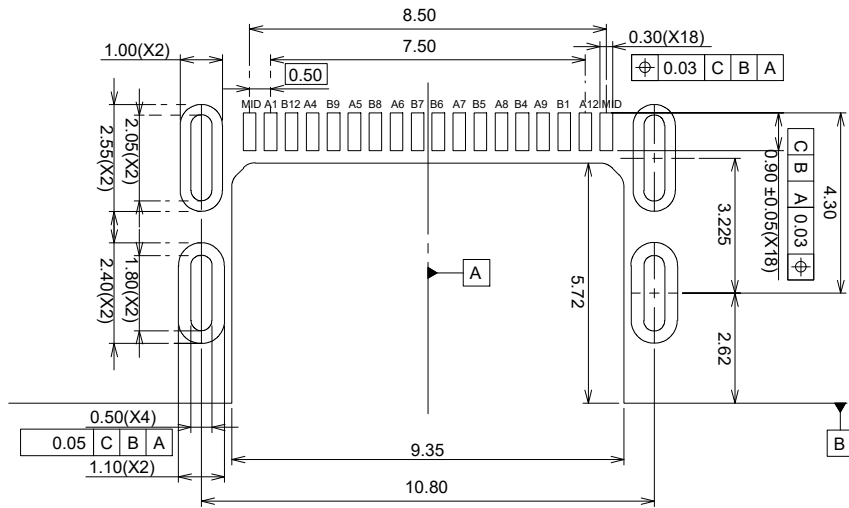




REV	ECN No.	DATE	REMARK
A	NEW	2024.11.15	NEW RELEASE



RECOMMENDED PCB LAYOUT THICKNESS IS 0.50mm TOLERANCE±0.05

**Specifications:**

1. Electrical Performance,
  - 1-1. Current Rating: 5 Amps. For Total VBUS/GND Pins; 0.5Amps For CC Pin, 0.25 Amps. For All Other Contact.
  - 1-2. Voltage Rating: 20V DC/AC (Rms. Max)
  - 1-3. Contact Resistance: 40mΩ Max Initial. 50mΩ Max After Test
  - 1-4. Dielectric Withstanding Voltage: 100V AV
  - 1-5. Insulation Resistance: 100MΩ Min
2. Mechanical Performance,
  - 2-1. Insertion Force: 5~20N.
  - 2-2. Extraction Force: 8~20N.
  - 2-3. Durability: 10000 Cycles.
3. Environmental Performance:
  - Operating Temperature: -25°C~+85°C.
4. IR Reflow:
  - The Peak Temperature On The Board Shall Be Maintained For 10 Seconds At 260°C.

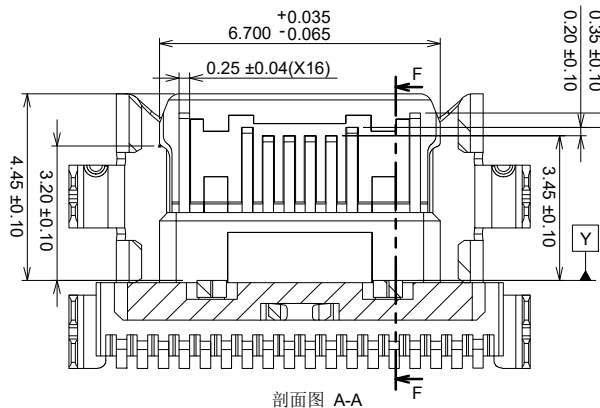
**Ordering Information:**

CF 3 16 - 023 S N X XX X - M4  
 1 2 3 4 5

1. Product Type:
  - 3: Mid-Mount
2. Pin No.:
  - 16: 16Pin
3. Housing Color:
  - B: Black
4. Contacts Plated:
  - 15: Contact Area: Au 30u", Solder Tails: Au 3u"
5. Packing Options:
  - R: Tape & Reel

USB Type-C Pin Assignments

Pin Number	Signal Name	Pin Number	Signal Name
A1	GND	B12	GND
A2		B11	
A3		B10	
A4	VBUS	B9	VBUS
A5	CC1	B8	SBU2
A6	Dp1	B7	Dn2
A7	Dn1	B6	Dp2
A8	SBU1	B5	CC2
A9	VBUS	B4	VBUS
A10		B3	
A11		B2	
A12	GND	B1	GND



GENERAL TOLERANCES (UNLESS SPECIFIED)	DRAWN BY: HuangXiaoHao Date: 2024.11.15	GOLDCONN TECHNOLOGIES COMPANY LIMITED		
X.XXX ±0.10	CHECKED BY: liuzongliang Date: 2024.11.15	TITLE: USB Type-C Female 16Pin L=6.55 CH=0.12		
X.XX ±0.25	APPROVED BY: Jacky Date: 2024.11.15	PART NO. Ordering Information	DWG NO. CF316-023-M4	
X.X ±0.30	THIRD ANGLE PROJECTION	UNIT: mm	SCALE: 1:1	DRAWING: A4
ANGULAR ±3°			SHEET NO. 2 OF 2	REV. A