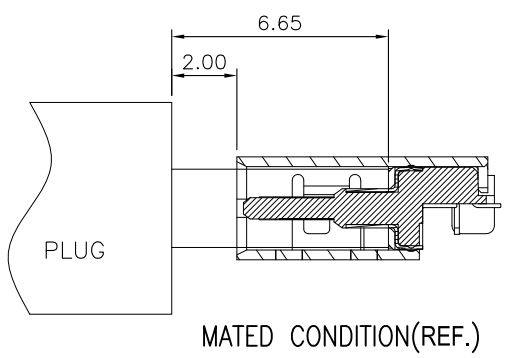
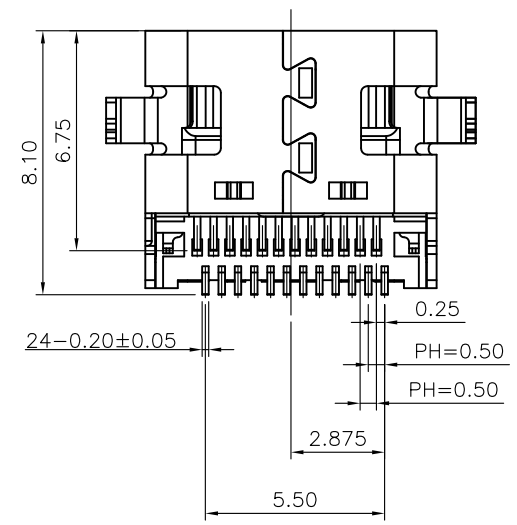
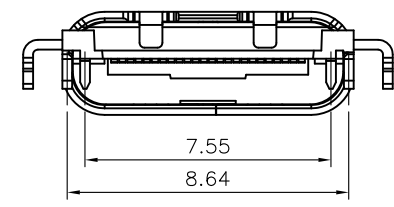
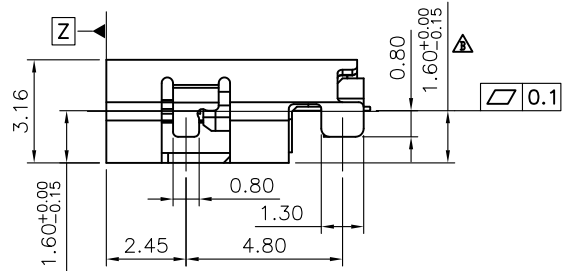
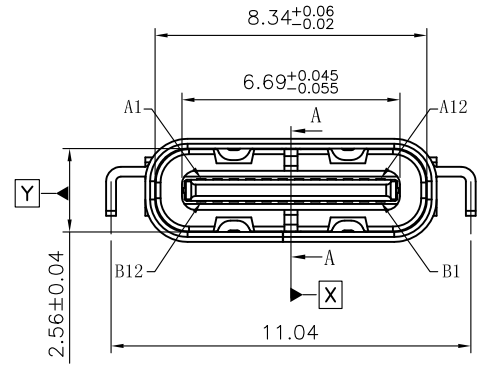
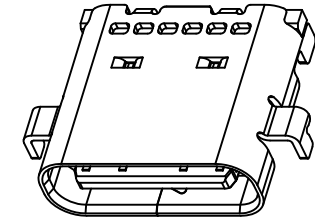
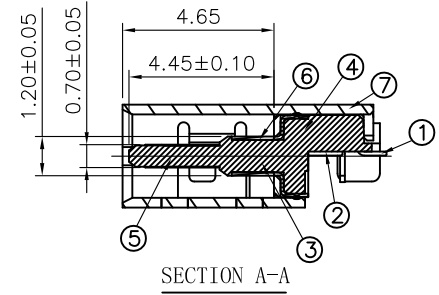
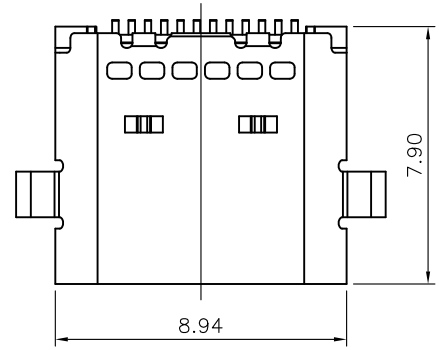


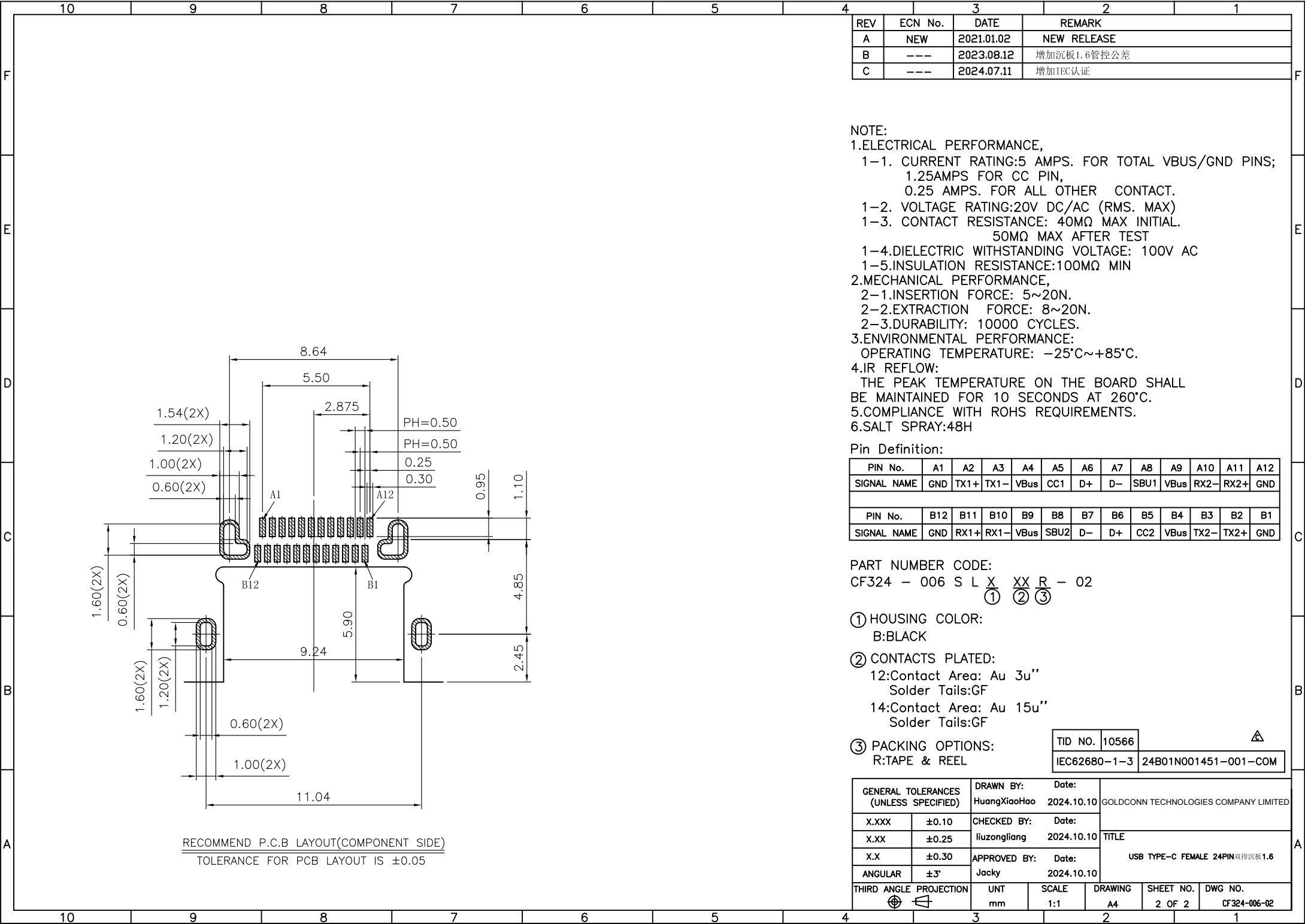
REV	ECN No.	DATE	REMARK
A	NEW	2021.01.02	NEW RELEASE
B	---	2023.08.12	增加沉板1.6管控公差
C	---	2024.07.11	增加IEC认证



No.	PART NAME	Q'TY	MATERIAL	FINISH
7	SHELL	1	SUS304 T=0.30	Ni 30u" MIN. UNDER PLATED OVER ALL
6	EMI	1	SUS304 T=0.10	Ni 30u" MIN. UNDER PLATED OVER ALL
5	SHIELDING PLATE	1	SUS301 T=0.15	Ni 30u" MIN. UNDER PLATED OVER ALL Sn 80u"MIN. PLATED OVER ALL
4	INSULATOR 2	1	LCP/PA9T UL94V-0	COLOR:BLACK
3	INSULATOR 1	1	LCP/PA9T UL94V-0	COLOR:BLACK
2	Down CONTACT	12	C18400 T=0.12	Ni 50u" MIN. UNDER PLATED OVER ALL
1	TOP CONTACT	12	C18400 T=0.12	Au PLATED ON CONTACT,GF/Sn PLATED ON SOLDERING

GENERAL TOLERANCES (UNLESS SPECIFIED)		DRAWN BY: HuangXiaoHao		Date: 2024.10.10	GOLDCONN TECHNOLOGIES COMPANY LIMITED
X.XXX	±0.10	CHECKED BY: liuzongliang	Date: 2024.10.10	TITLE	
X.XX	±0.25	APPROVED BY: Jacky	Date: 2024.10.10	USB TYPE-C FEMALE 24PIN双排沉板1.6	
X.X	±0.30				
ANGULAR	±3°				

THIRD ANGLE PROJECTION	UNIT	SCALE	DRAWING	SHEET NO.	DWG NO.
	mm	1:1	A4	2 OF 2	CF324-006-02



REV	ECN No.	DATE	REMARK
A	NEW	2021.01.02	NEW RELEASE
B	---	2023.08.12	增加沉板1.6管控公差
C	---	2024.07.11	增加IEC认证

NOTE:

- ELECTRICAL PERFORMANCE,
  - CURRENT RATING:5 AMPS. FOR TOTAL VBUS/GND PINS;  
1.25AMPS FOR CC PIN,  
0.25 AMPS. FOR ALL OTHER CONTACT.
  - VOLTAGE RATING:20V DC/AC (RMS. MAX)
  - CONTACT RESISTANCE: 40MΩ MAX INITIAL.  
50MΩ MAX AFTER TEST
  - DIELECTRIC WITHSTANDING VOLTAGE: 100V AC
  - INSULATION RESISTANCE:100MΩ MIN
- MECHANICAL PERFORMANCE,
  - INSERTION FORCE: 5~20N.
  - EXTRACTION FORCE: 8~20N.
  - DURABILITY: 10000 CYCLES.
- ENVIRONMENTAL PERFORMANCE:
 

OPERATING TEMPERATURE: -25°C~+85°C.
- IR REFLOW:
 

THE PEAK TEMPERATURE ON THE BOARD SHALL BE MAINTAINED FOR 10 SECONDS AT 260°C.
- COMPLIANCE WITH ROHS REQUIREMENTS.
- SALT SPRAY:48H

Pin Definition:

PIN No.	A1	A2	A3	A4	A5	A6	A7	A8	A9	A10	A11	A12
SIGNAL NAME	GND	TX1+	TX1-	VBUS	CC1	D+	D-	SBU1	VBUS	RX2-	RX2+	GND

PIN No.	B12	B11	B10	B9	B8	B7	B6	B5	B4	B3	B2	B1
SIGNAL NAME	GND	RX1+	RX1-	VBUS	SBU2	D-	D+	CC2	VBUS	TX2-	TX2+	GND

PART NUMBER CODE:  
CF324 - 006 S L X XX R - 02  
① ② ③

- ① HOUSING COLOR:  
B:BLACK
- ② CONTACTS PLATED:  
12:Contact Area: Au 3u"  
Solder Tails:GF  
14:Contact Area: Au 15u"  
Solder Tails:GF
- ③ PACKING OPTIONS:

TID NO.	10566	▲
IEC62680-1-3	24B01N001451-001-COM	

GENERAL TOLERANCES (UNLESS SPECIFIED)	DRAWN BY: HuangXiaoHao	Date: 2024.10.10	GOLDCONN TECHNOLOGIES COMPANY LIMITED		
X.XXX ±0.10	CHECKED BY: liuzongliang	Date: 2024.10.10	TITLE		
X.XX ±0.25	APPROVED BY: Jacky	Date: 2024.10.10	USB TYPE-C FEMALE 24PIN双排沉板1.6		
X.X ±0.30	ANGULAR ±3°				
THIRD ANGLE PROJECTION	UNT mm	SCALE 1:1	DRAWING A4	SHEET NO. 2 OF 2	DWG NO. CF324-006-02

RECOMMEND P.C.B LAYOUT(COMPONENT SIDE)  
TOLERANCE FOR PCB LAYOUT IS ±0.05