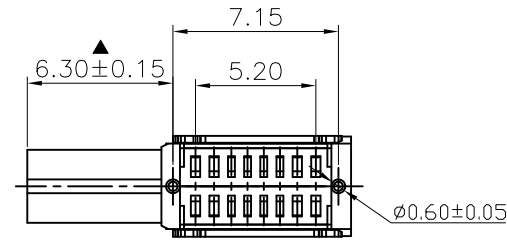
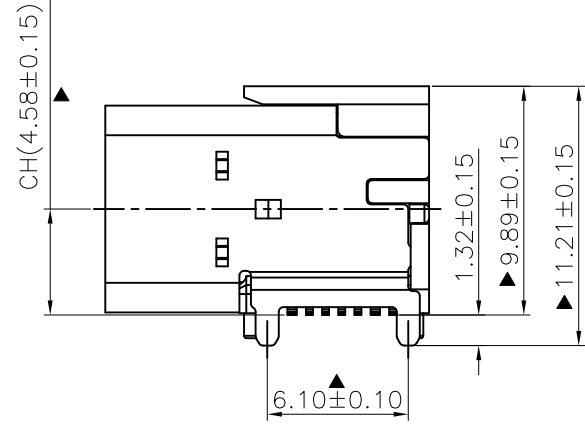
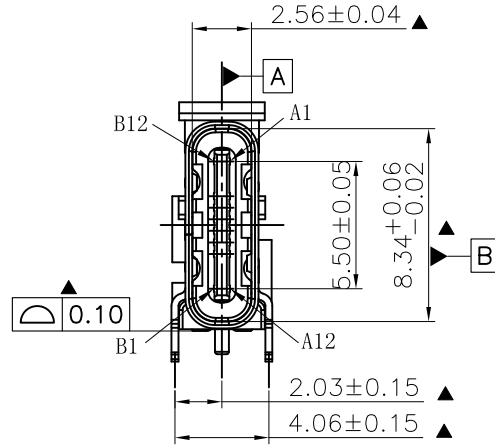
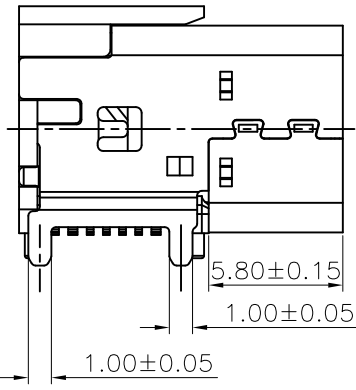
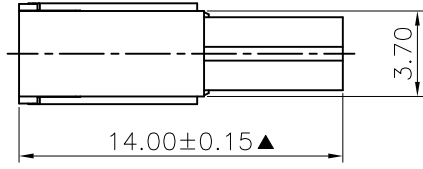


REV	ECN No.	DATE	REMARK
A	NEW	2023.08.12	NEW RELEASE
B	---	2024.07.12	增加焊盘后歪斜角度管控



NOTE:
1.ELECTRICAL PERFORMANCE,
 1-1. CURRENT RATING:5 AMPS. FOR TOTAL VBUS/GND PINS;
 1.25AMPS FOR CC PIN,
 0.25 AMPS. FOR ALL OTHER CONTACT.
 1-2. VOLTAGE RATING:20V DC/AC (RMS. MAX)
 1-3. LLCR:.
 VBUS & GND PINS AND OTHER PINS: 40MΩ/PIN MAX.
 SHIELD:50MΩ/MAX.
 LLCR MAX. CHANGE OF ALL PINS: 10MΩ.
 1-4.INSULATION RESISTANCE: 100MΩ MIN
 1-5.DIELECTRIC WITHSTAND VOLTAGE,AC 100V FOR 1 MINUTE.
2.MECHANIC PERFORMANCE,
 2-1.INSERTION FORCE: 5~20N.
 2-2.EXTRACTION FORCE: 8~20N.
 2-3.DURABILITY: 10000 CYCLES.
3.ENVIRONMENTAL PERFORMANCE:
 OPERATING TEMPERATURE: -55°C~+85°C.
4.IR REFLOW:
 THE PEAK TEMPERATURE ON THE BOARD SHALL
 BE MAINTAINED FOR 10 SECONDS AT 260°C.
5.COMPLIANCE WITH ROHS REQUIREMENTS.
6.SALT SPRAY:48H
 7. With ▲ for the key control size

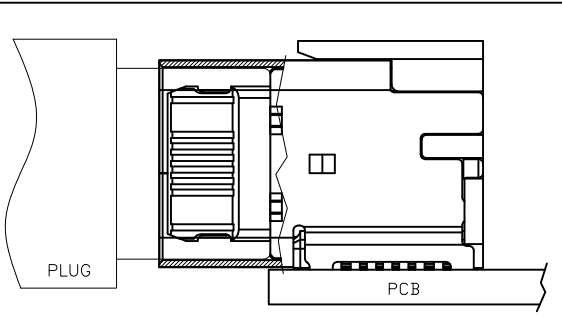
8.PART NUMBER CODE:
 CF 6 16-001S L B 11 R-02
 ①② ③④⑤⑥

- ① Product type:
6:侧立式
- ② Pin No.:
16:16Pin
- ③ HOUSING MATERIALS:
L:LCP
- ④ HOUSING COLOR:
B:BLACK
- ⑤ CONTACTS PLATED:
11:Contact Area: Au 1u"
Solder Tails:GF
- ⑥ PACKING OPTIONS:
R:TAPE & REEL

PIN DEFINITION:

PIN No.	A1	A4	A5	A6	A7	A8	A9	A12
SIGNAL NAME	GND	VBUS	CC1	D+	D-	SBU1	VBUS	GND

PIN No.	B12	B9	B8	B7	B6	B5	B4	B1
SIGNAL NAME	GND	VBUS	SBU2	D-	D+	CC2	VBUS	GND



MATED CONDITION(REF.)

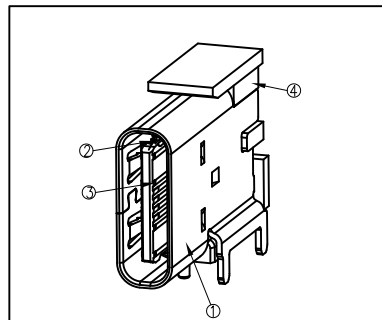
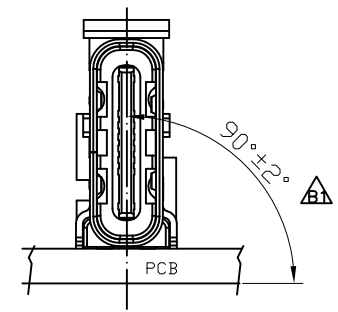
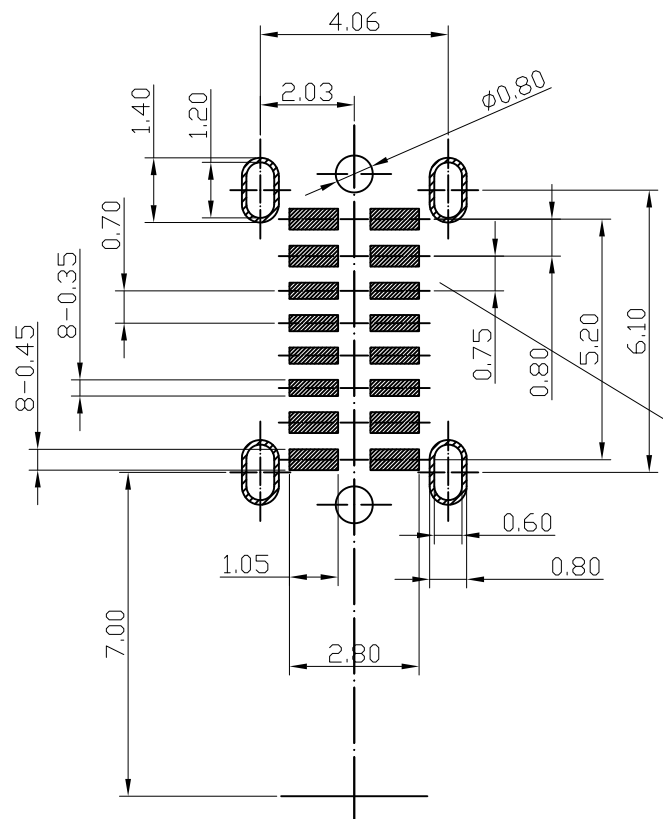


TABLE:

NO	PART	QTY	Material
①	SHELL	1	STAINLESS STEEL 304 T=0.30mm, BLACK Ni 30u" MIN PLATED
②	Mid Plate	1	STAINLESS STEEL 301 T=0.15mm, NO PLATED
③	CONTACT	16	COPPER STEEL C7025,Au 1u"Plated On Vontact Area GF Plated On Solder Area;Nickel 50u"Min Underplating Over All.
④	HOUSING	1	LCP UL94 V-0

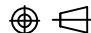
PART NO.:		DRAWN BY:		GOLDCONN TECHNOLOGIES COMPANY LIMITED
SEE THE PART NUMBER CODE		HuangXiaoHao		
GENERAL TOLERANCES		CHECKED BY:		TITLE
x.xxx		liuzongliang		
x.xxx		APPROVED BY:		USB TYPE-C FEMALE 16PIN侧插SMT CH=4.58
x.xx		Jacky		
x.x		THIRD ANGLE PROJECTION		DIMENSIONS SCALE DRAWING SHEET NO. DWG.NO.
ANGULAR ± 3'		mm 1:1 A4 1 OF 2 CF616-001-02		

REV	ECN No.	DATE	REMARK
A	NEW	2023.08.12	NEW RELEASE
B	---	2024.07.12	增加焊盘后歪斜角度管控



B12	A1
B9	A4
B8	A5
B7	A6
B6	A7
B5	A8
B4	A9
B1	A12

RECOMMEND P.C.B LAYOUT(TOW VIEW)
 TOLERANCE FOR PCB LAYOUT IS ± 0.05
 SCALE:2:1

PART NO.: SEE THE PART NUMBER CODE		DRAWN BY: HuangXiaoHao		GOLDCONN TECHNOLOGIES COMPANY LIMITED			
GENERAL TOLERANCES		CHECKED BY: liuzongliang		TITLE			
x.xxxx	\pm ---	APPROVED BY: Jacky		USB TYPE--C FEMALE 16PIN侧插SMT CH=4.58			
x.xxx	\pm 0.10	THIRD ANGLE PROJECTION		DIMENSIONS	SCALE	DRAWING	SHEET NO.
x.xx	\pm 0.15			mm	1:1	A4	2 OF 2
x.x	\pm 0.30						DWG.NO.
ANGULAR	\pm 3'						CF616-001-02