

| REV | ECN No. | DATE       | REMARK      |
|-----|---------|------------|-------------|
| A   | NEW     | 2023.09.04 | NEW RELEASE |
| B   | ---     | 2024.04.06 | 更换新图框       |
| C   | ---     | 2024.07.12 | 增加焊盘后歪斜角度管控 |

NOTE:  
 1.ELECTRICAL PERFORMANCE,  
 1-1. CURRENT RATING:5 AMPS. FOR TOTAL VBUS/GND PINS;  
 1.25AMPS FOR CC PIN,  
 0.25 AMPS. FOR ALL OTHER CONTACT.  
 1-2. VOLTAGE RATING:20V DC/AC (RMS. MAX)  
 1-3. LLCR:.  
 VBUS & GND PINS AND OTHER PINS: 40MΩ/PIN MAX.  
 SHIELD:50MΩ/MAX.  
 LLCR MAX. CHANGE OF ALL PINS: 10MΩ.  
 1-4.INSULATION RESISTANCE: 100MΩ MIN  
 1-5.DIELECTRIC WITHSTAND VOLTAGE,AC 100V FOR 1 MINUTE.  
 2.MECHANICAL PERFORMANCE,  
 2-1.INSERTION FORCE: 5~20N.  
 2-2.EXTRACTION FORCE: 8~20N.  
 2-3.DURABILITY: 10000 CYCLES.  
 3.ENVIRONMENTAL PERFORMANCE:  
 OPERATING TEMPERATURE: -55°C~+85°C.  
 4.IR REFLOW:  
 THE PEAK TEMPERATURE ON THE BOARD SHALL  
 BE MAINTAINED FOR 10 SECONDS AT 260°C.  
 5.COMPLIANCE WITH ROHS REQUIREMENTS.  
 6.SALT SPRAY:48H  
 7. With '▲' for the key control size

8.PART NUMBER CODE:  
 CF 6 16-002S L B 11 R-02  
 ①② ③④⑤⑥  
 ① Product type:  
 6:侧立式  
 ② Pin No.:  
 16:16Pin  
 ③ HOUSING MATERIALS:  
 L:LCP  
 ④ HOUSING COLOR:  
 B:BLACK  
 ⑤ CONTACTS PLATED:  
 11:Contact Area: Au 1u"  
 Solder Tails:GF  
 ⑥ PACKING OPTIONS:  
 R:TAPE & REEL

PIN DEFINITION:

| PIN No.     | A1  | A4   | A5  | A6 | A7 | A8   | A9   | A12 |
|-------------|-----|------|-----|----|----|------|------|-----|
| SIGNAL NAME | GND | VBUS | CC1 | D+ | D- | SBU1 | VBUS | GND |

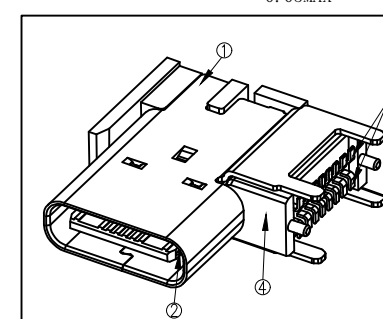
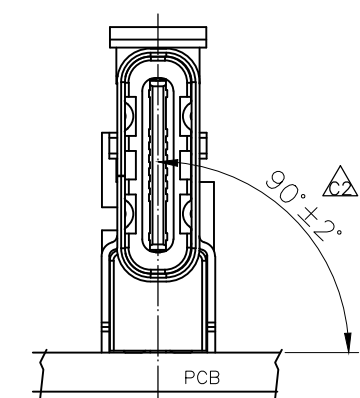
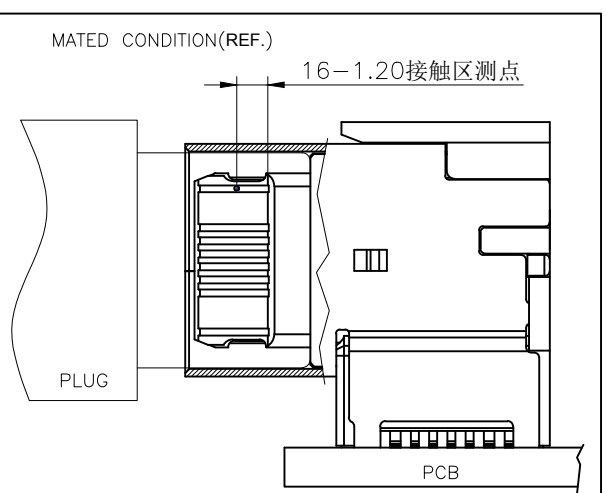
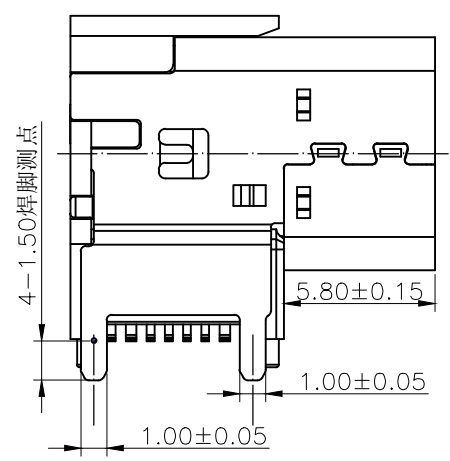
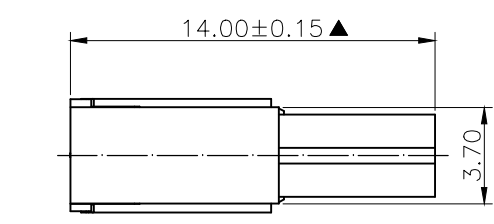
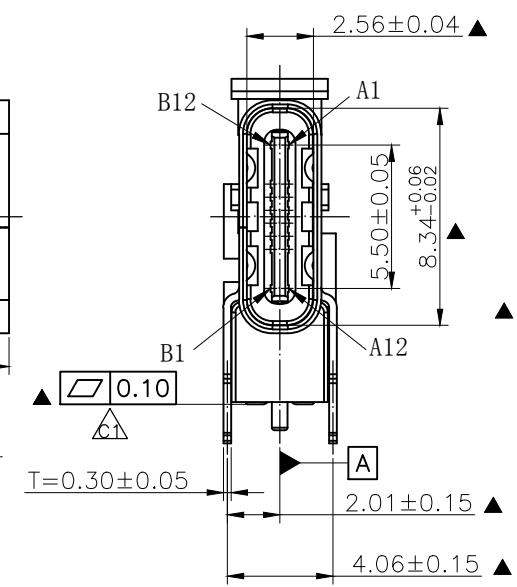
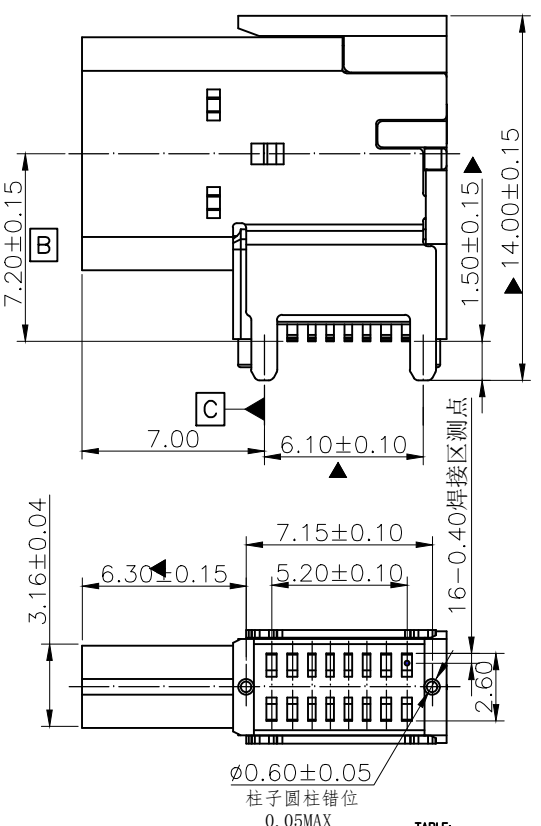
| PIN No.     | B12 | B9   | B8   | B7 | B6 | B5  | B4   | B1  |
|-------------|-----|------|------|----|----|-----|------|-----|
| SIGNAL NAME | GND | VBUS | SBU2 | D- | D+ | CC2 | VBUS | GND |

TABLE:

| NO | PART      | Q'TY | Material  |
|----|-----------|------|---|
| ①  | SHELL     | 1    | STAINLESS STEEL 304 T=0.30mm, BLACK NI 30u" MIN PLATED  |
| ②  | Mid Plate | 1    | STAINLESS STEEL 301 T=0.15mm, NO PLATED   |
| ③  | CONTACT   | 16   | COPPER STEEL C7025,Au 1u"Plated On Vontact Area<br>GF Plated On Solder Area;Nickel 50u"Min Underplating Over All. |
| ④  | HOUSING   | 1    | LCP UL94 V-0  |

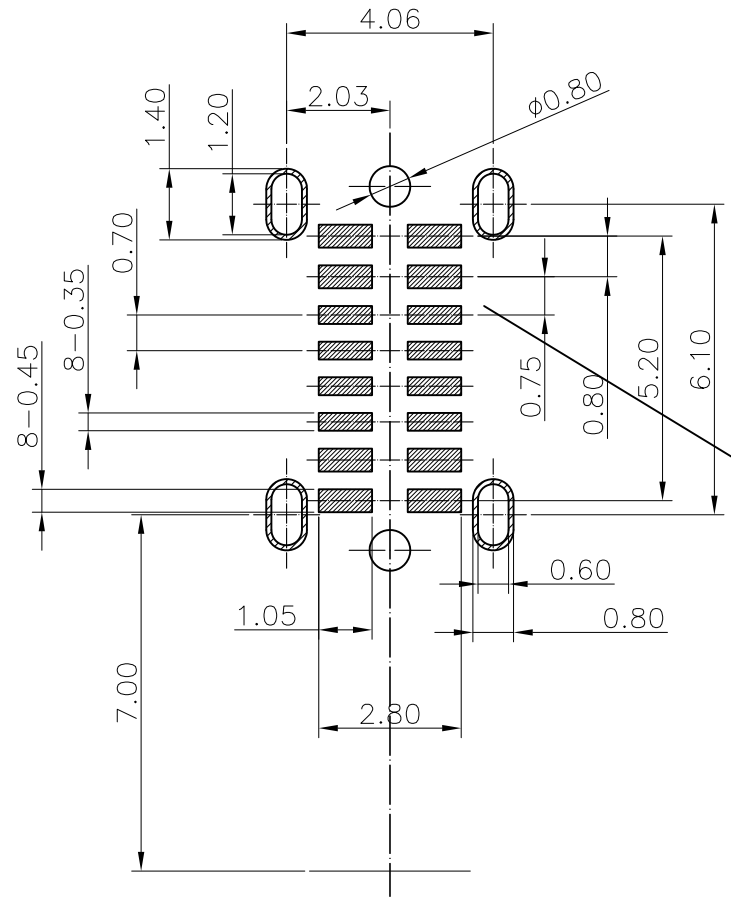
  

|                          |                        |                                       |       |         |           |              |
|--------------------------|------------------------|---------------------------------------|-------|---------|-----------|--------------|
| PART NO.:                | DRAWN BY:              | GOLDCONN TECHNOLOGIES COMPANY LIMITED |       |         |           |              |
| SEE THE PART NUMBER CODE | HuangXiaoHao           |                                       |       |         |           |              |
| GENERAL TOLERANCES       | CHECKED BY:            | TITLE                                 |       |         |           |              |
| x.xxxx ± ---             | liuzongliang           |                                       |       |         |           |              |
| x.xxx ± 0.10             | APPROVED BY:           |                                       |       |         |           |              |
| x.xx ± 0.15              | Jacky                  |                                       |       |         |           |              |
| x.x ± 0.30               | THIRD ANGLE PROJECTION | DIMENSIONS                            | SCALE | DRAWING | SHEET NO. | DWG.NO.      |
| ANGULAR ± 3'             |                        | mm                                    | 1:1   | A4      | 1 OF 2    | CF616-002-02 |



10 9 8 7 6 5 4 3 2 1

| REV | ECN No. | DATE       | REMARK      |
|-----|---------|------------|-------------|
| A   | NEW     | 2023.09.04 | NEW RELEASE |
| B   | ---     | 2024.04.06 | 更换新图框       |
| C   | ---     | 2024.07.12 | 增加焊盘后歪斜角度管控 |



|     |     |
|-----|-----|
| B12 | A1  |
| B9  | A4  |
| B8  | A5  |
| B7  | A6  |
| B6  | A7  |
| B5  | A8  |
| B4  | A9  |
| B1  | A12 |

RECOMMEND P.C.B LAYOUT(TOW VIEW)  
 TOLERANCE FOR PCB LAYOUT IS  $\pm 0.05$   
 SCALE:2:1

|                          |  |                        |  |                                       |  |       |         |           |              |
|--------------------------|--|------------------------|--|---------------------------------------|--|-------|---------|-----------|--------------|
| PART NO.:                |  | DRAWN BY:              |  | GOLDCONN TECHNOLOGIES COMPANY LIMITED |  |       |         |           |              |
| SEE THE PART NUMBER CODE |  | HuangXiaoHao           |  |                                       |  |       |         |           |              |
| GENERAL TOLERANCES       |  | CHECKED BY:            |  | TITLE                                 |  |       |         |           |              |
| x.xxxx $\pm$ ---         |  | liuzongliang           |  |                                       |  |       |         |           |              |
| x.xxx $\pm$ 0.10         |  | APPROVED BY:           |  | USB TYPE--C FEMALE 16PIN测试SMT CH=7.2  |  |       |         |           |              |
| x.xx $\pm$ 0.15          |  | Jacky                  |  |                                       |  |       |         |           |              |
| x.x $\pm$ 0.30           |  | THIRD ANGLE PROJECTION |  | DIMENSIONS                            |  | SCALE | DRAWING | SHEET NO. | DWG.NO.      |
| ANGULAR $\pm$ 3'         |  |                        |  | mm                                    |  | 1:1   | A4      | 2 OF 2    | CF616-002-02 |

10 9 8 7 6 5 4 3 2 1