

REV	ECN No.	DATE	REMARK
A	NEW	2023.09.04	NEW RELEASE

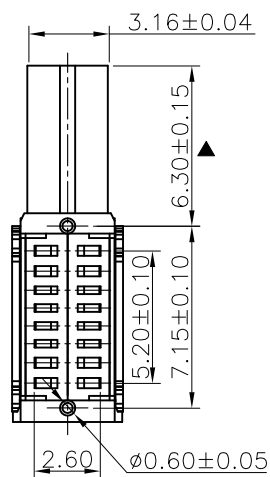
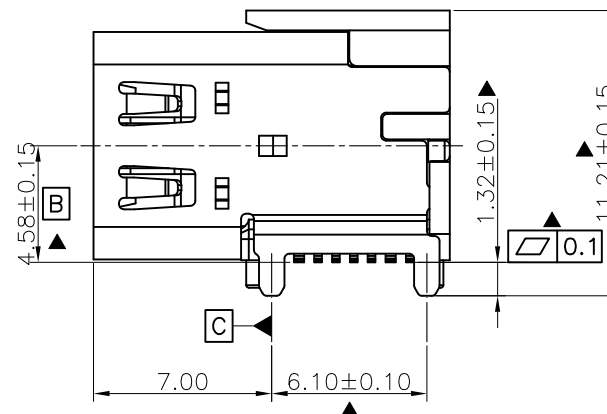
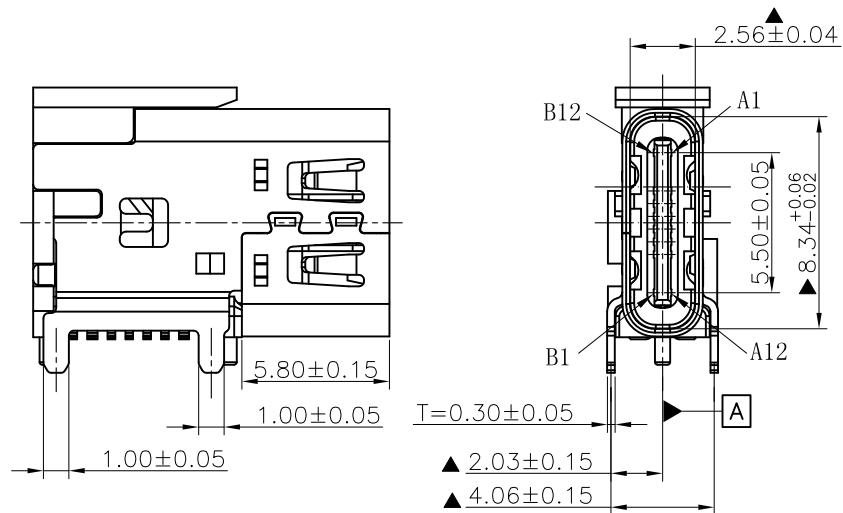
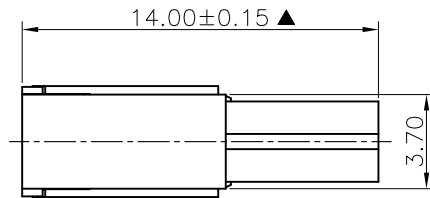
NOTE:

- ELECTRICAL PERFORMANCE,
 - CURRENT RATING:5 AMPS. FOR TOTAL VBUS/GND PINS; 1.25AMPS FOR CC PIN, 0.25 AMPS. FOR ALL OTHER CONTACT.
 - VOLTAGE RATING:20V DC/AC (RMS. MAX)
 - LLCR:
- MECHANICAL PERFORMANCE,
 - INSULATION RESISTANCE: 100MΩ MIN
 - DIELECTRIC WITHSTAND VOLTAGE,AC 100V FOR 1 MINUTE.
 - INSERTION FORCE: 5~20N.
 - EXTRACTION FORCE: 8~20N.
 - DURABILITY: 10000 CYCLES.
- ENVIRONMENTAL PERFORMANCE:
 - OPERATING TEMPERATURE: -55°C~+85°C.
- IR REFLOW:
 - THE PEAK TEMPERATURE ON THE BOARD SHALL BE MAINTAINED FOR 10 SECONDS AT 260°C.
- COMPLIANCE WITH ROHS REQUIREMENTS.
- SALT SPRAY:48H
- With "▲" for the key control size

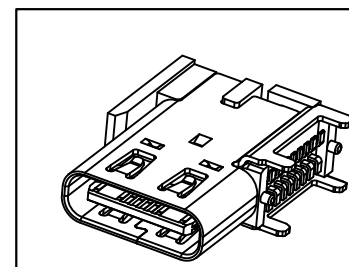
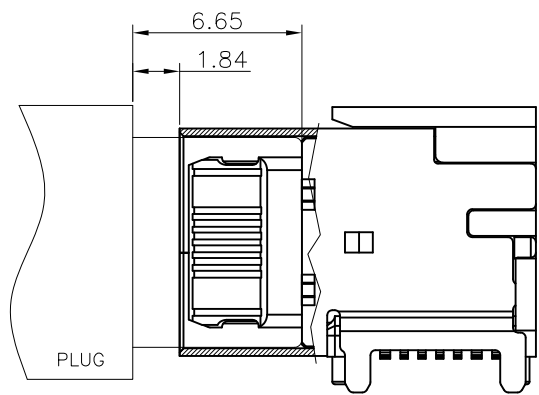
8.PART NUMBER CODE:

CF 6 16 - 003 S L B 11 R - 02

- PACKING OPTIONS:
R:TAPE & REEL
- CONTACTS PLATED:
11:Contact Area: Au 1u"
Solder Tails:GF
- HOUSING COLOR:
B:BLACK
- HOUSING MATERIALS:
L:LCP
- Pin No.:
16:16Pin
- Product type:
6:侧立式



MATED CONDITION(REF.)



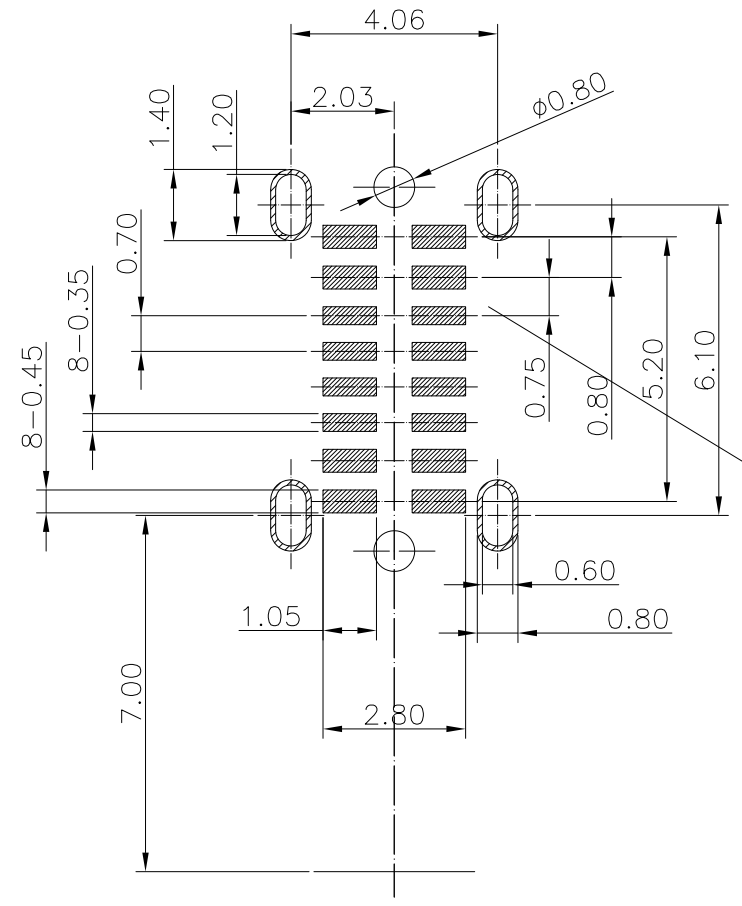
PIN DEFINITION:

PIN No.	A1			A4	A5	A6	A7	A8	A9			A12
SIGNAL NAME	GND			VBUS	CC1	D+	D-	SBU1	VBUS			GND
PIN No.	B12			B9	B8	B7	B6	B5	B4			B1
SIGNAL NAME	GND			VBUS	SBU2	D-	D+	CC2	VBUS			GND

TABLE:

NO	PART	QTY	Material
1	SHELL	1	STAINLESS STEEL 304 T=0.30mm, BLACK Ni 30u" MIN PLATED
2	Mid Plate	1	STAINLESS STEEL 301 T=0.15mm, NO PLATED
3	CONTACT	16	COPPER STEEL C7025,Au 1u"Plated On Vontact Area GF Plated On Solder Area;Nickel 50u"Min Underplating Over All.
4	HOUSING	1	LCP UL94 V-0
PART NO.:		DRAWN BY:	
SEE THE PART NUMBER CODE		HuangXiaoHao	
GENERAL TOLERANCES		CHECKED BY:	
x.xxxx ± ---		liuzongliang	
x.xxx ± 0.10		APPROVED BY:	
x.xx ± 0.15		Jacky	
x.x ± 0.30		THIRD ANGLE PROJECTION	
ANGULAR ± 3'		DIMENSIONS SCALE DRAWING SHEET NO. DWG.NO.	
		mm 1:1 A4 1 OF 2 CF616-003-02	

REV	ECN No.	DATE	REMARK
A	NEW	2023.09.04	NEW RELEASE



B12	A1
B9	A4
B8	A5
B7	A6
B6	A7
B5	A8
B4	A9
B1	A12

RECOMMEND P.C.B LAYOUT(TOW VIEW)
 TOLERANCE FOR PCB LAYOUT IS ± 0.05
 SCALE:2:1

PART NO.: SEE THE PART NUMBER CODE		DRAWN BY: HuangXiaoHao		GOLDCONN TECHNOLOGIES COMPANY LIMITED			
GENERAL TOLERANCES		CHECKED BY: liuzongliang		TITLE			
x.xxxx	\pm ---	APPROVED BY: Jacky		USB TYPE-C FEMALE 16PIN UPRIGHT SMT CH=4.58			
x.xxx	\pm 0.10	THIRD ANGLE PROJECTION		DIMENSIONS	SCALE	DRAWING	SHEET NO.
x.xx	\pm 0.15			mm	1:1	A4	2 OF 2
x.x	\pm 0.30			DWG.NO.			
ANGULAR	\pm 3'						CF616-003-02