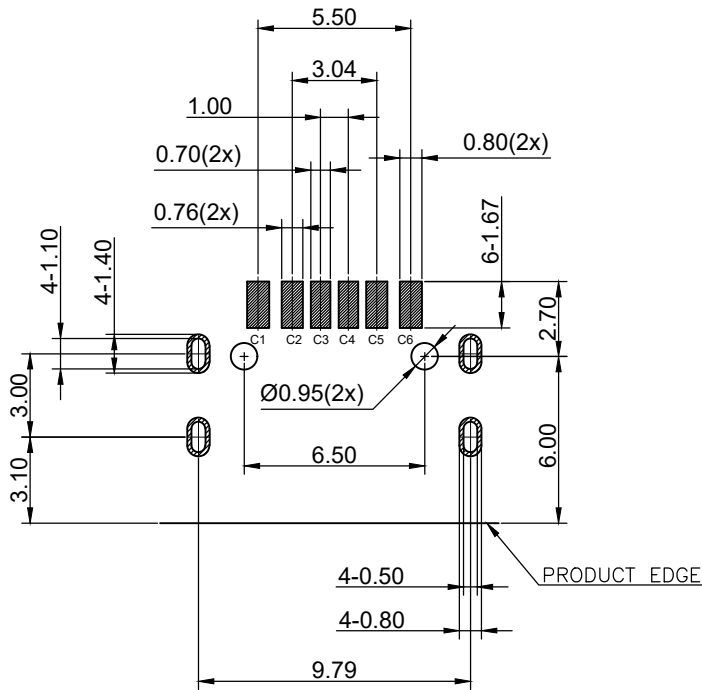


REV	ECN No.	DATE	REMARK
B	NEW	2024.03.29	增加防水机壳建议尺寸

7	胶水	---	环氧胶	BLACK
6	OUT SHELL	1PCS	STAINLESS STEEL SUS304 T=0.30mm	NI 30u"MIN Plated
5	INSIDE SHELL	1PCS	STAINLESS STEEL SUS301 T=0.20mm	NI 30u"MIN Plated
4	MID PLATE	2PCS	STAINLESS STEEL SUS301 T=0.15mm	--
3	CONTACT	1SET	COPPER ALLOY C2680 T=0.15mm	AU 1U"PLATED ON VCONTACT AREA TIN PLATED ON SOLDER AREA; NICKEL 50U"MIN UNDERPLATING OVER ALL.
2	SHELL HOUSING	1PCS	HIGH TEMPERATURE PLASTIC LCP	UL94V-0 BLACK
1	HOUSING	1PCS	HIGH TEMPERATURE PLASTIC LCP	UL94V-0 BLACK
NO.	DESCRIPTION	QTY	MATERIAL	REMARKS

GENERAL TOLERANCES (UNLESS SPECIFIED)		DRAWN BY: Date: HuangXiaoHao 2024.03.29		GOLDCONN TECHNOLOGIES COMPANY LIMITED	
X.XXX	±0.10	CHECKED BY: Date: liuzongliang 2024.03.29		TITLE USB TYPE-C FEMALE 6PIN TOP-MOUNT CH2.38 WATERPROOF IP68	
X.XX	±0.25	APPROVED BY: Date: Jacky 2024.03.29		PART NO. SEE THE PART NUMBER CODE	DWG NO. CFW06-008-02
X.X	±0.30	THIRD ANGLE PROJECTION		SCALE 1:1	DRAWING SHEET NO. A4 1 OF 3
ANGULAR	±3°	UNT mm	SCALE 1:1	DRAWING SHEET NO. A4 1 OF 3	REV. A



RECOMMEND P.C.B LAYOUT (COMPONENT SIDE)

TOLERANCE FOR PCB LAYOUT IS ± 0.05

PCB THICKNESS: 1.2MM

REV	ECN No.	DATE	REMARK
B	NEW	2024.03.29	增加防水机壳建议尺寸

SPECIFICATIONS:

1. ELECTRICAL PERFORMANCE,
 - 1-1. CURRENT RATING: 5 A
 - 1-2. VOLTAGE RATING: 20V DC/AC (RMS. MAX)
 - 1-3. CONTACT RESISTANCE: 40MΩ MAX INITIAL.
50MΩ MAX AFTER TEST
 - 1-4. DIELECTRIC WITHSTANDING VOLTAGE: 100V AC
 - 1-5. INSULATION RESISTANCE: 100MΩ MIN
2. MECHANICAL PERFORMANCE,
 - 2-1. INSERTION FORCE: 5~20N.
 - 2-2. EXTRACTION FORCE: 8~20N.
 - 2-3. DURABILITY: 10000 CYCLES.
3. ENVIRONMENTAL PERFORMANCE:
4. OPERATING TEMPERATURE: -30°C~+85°C.
5. IR REFLOW:

THE PEAK TEMPERATURE ON THE BOARD SHALL BE MAINTAINED FOR 10 SECONDS AT 260°C.
6. COMPLIANCE WITH ROHS REQUIREMENTS.
7. SALT SPRAY: 24H
8. WATERPROOF GRADE: IP68

Ordering Information:

CFW 06 - 008 S L B 01 X - 02
 1 2 3 4 5

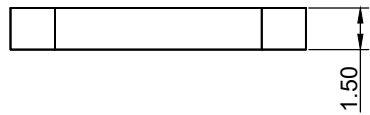
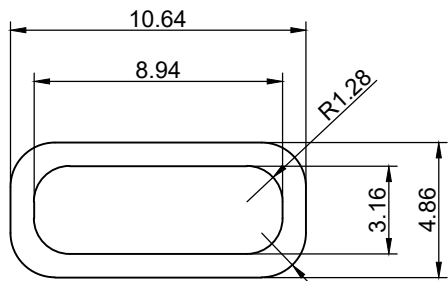
1. PRODUCT TYPE:
W: WATERPROOF
2. PIN NO.:
6: 6PIN
3. HOUSING COLOR:
B: BLACK
4. CONTACTS PLATED:
01: CONTACT AREA: AU 1U"
SOLDER TAILS: TIN
5. PACKING OPTIONS:
VR: TAPE & REEL + VACUUM PACKAGING

PIN ASSIGNMENT:

PIN NO	A1&B12	A4&B9	A5	B5	A9&B4	A12&B1
SIGNAL NAME	GND	VBUS	CC1	CC2	VBUS	GND
PCB PAD NO.	C1	C2	C3	C4	C5	C6

GENERAL TOLERANCES (UNLESS SPECIFIED)	DRAWN BY: HuangXiaoHao Date: 2024.03.29	GOLDCONN TECHNOLOGIES COMPANY LIMITED
X.XXX ±0.10	CHECKED BY: liuzongliang Date: 2024.03.29	TITLE USB TYPE-C FEMALE 6PIN TOP-MOUNT CH2.38 WATERPROOF IP68
X.XX ±0.25	APPROVED BY: Jacky Date: 2024.03.29	PART NO. SEE THE PART NUMBER CODE
X.X ±0.30		DWG NO. CFW06-008-02
ANGULAR ±3°		
THIRD ANGLE PROJECTION	UNT mm	SCALE 1:1
		DRAWING A4
		SHEET NO. 2 OF 3
		REV. A

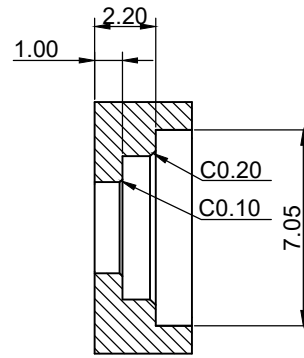
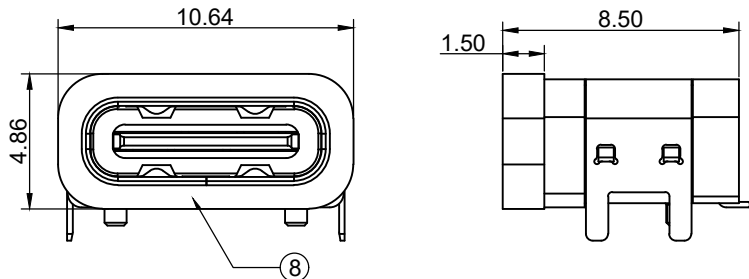
REV	ECN No.	DATE	REMARK
B	NEW	2024.03.29	增加防水机壳建议尺寸



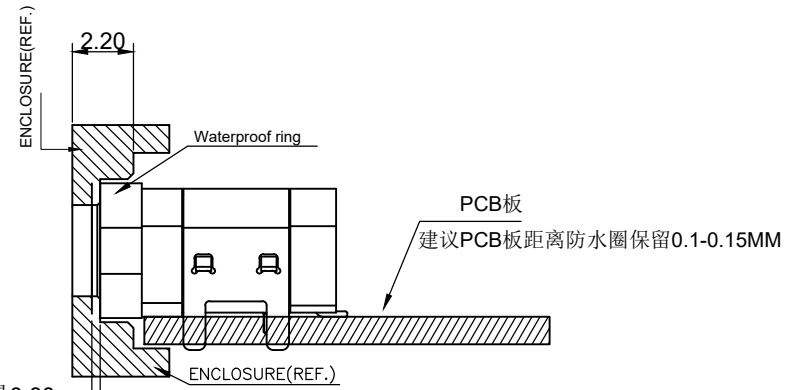
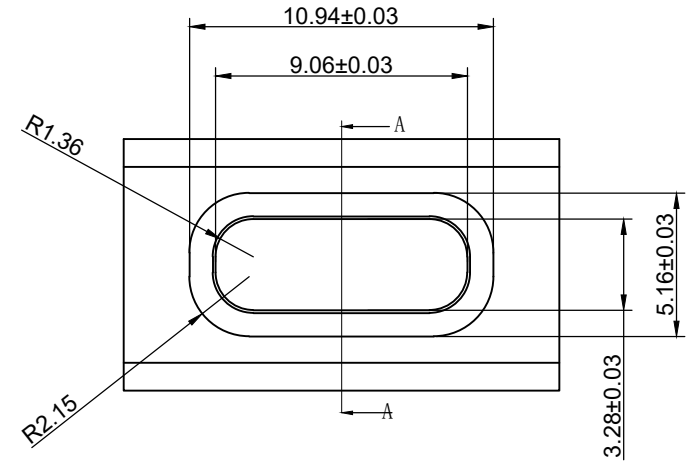
防水圈

1. 料号:GJ002GBP-02
2. 材质: 硅胶
3. 硬度: 60A
4. 颜色: 黑色

加防水圈示意图



SECTION:A-A



压缩量0.30
胶圈与机壳
建议周边干涉量

RECOMMENDED SCHEMATIC DRAWING OF CONNECTOR MATCH CHASSIS

GENERAL TOLERANCES (UNLESS SPECIFIED)		DRAWN BY: HuangXiaoHao		Date: 2024.03.29		GOLDCONN TECHNOLOGIES COMPANY LIMITED	
X.XXX	±0.10	CHECKED BY: liuzongliang		Date: 2024.03.29		TITLE: USB TYPE-C FEMALE 6PIN TOP-MOUNT CH2.38 WATERPROOF IP68	
X.XX	±0.25	APPROVED BY: Jacky		Date: 2024.03.29		PART NO. SEE THE PART NUMBER CODE	
X.X	±0.30	ANGULAR ±3°		SCALE 1:1		DWG NO. CFW06-008-02	
THIRD ANGLE PROJECTION		UNT mm	SCALE 1:1		DRAWING A4	SHEET NO. 3 OF 3	REV. A