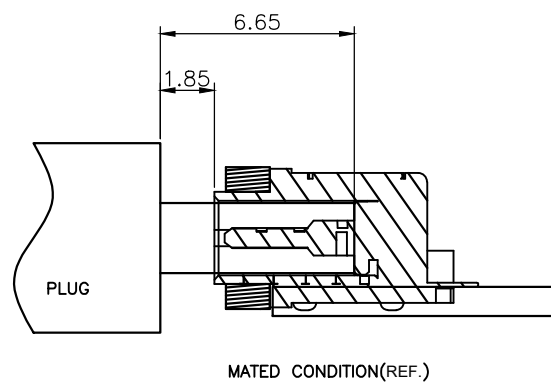
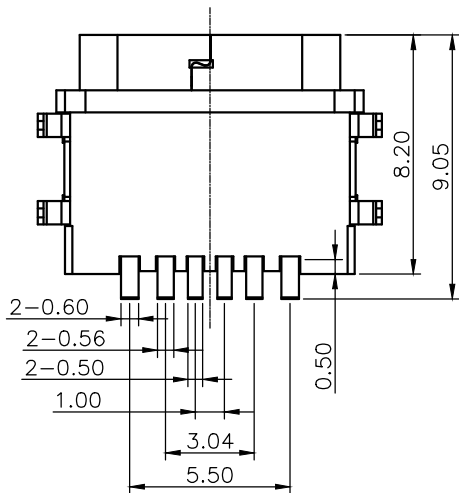
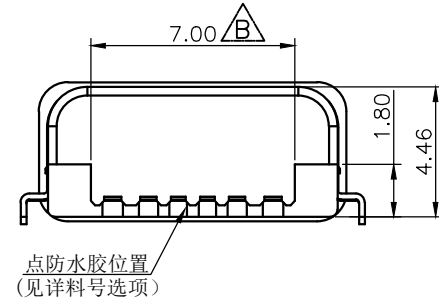
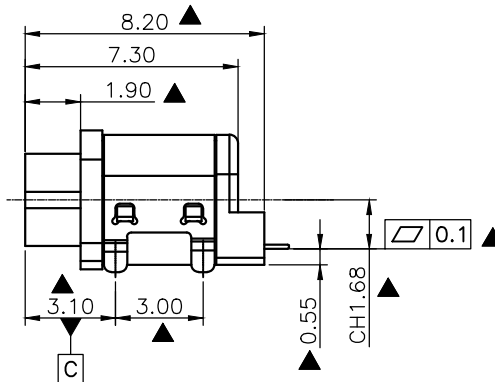
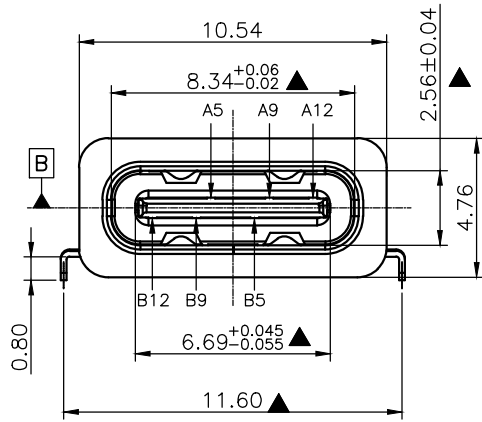
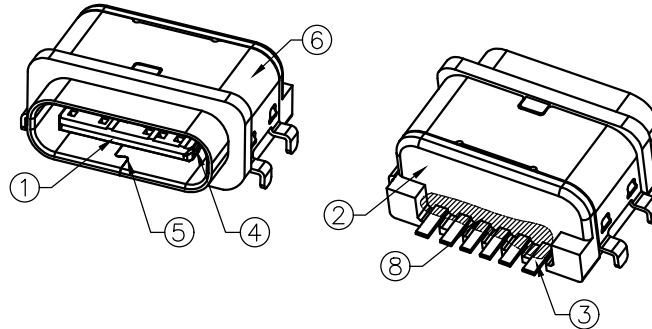
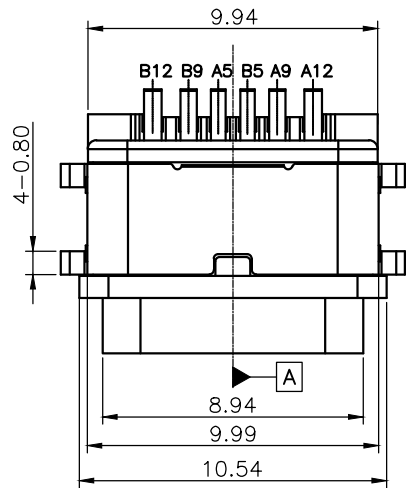




REV	ECN No.	DATE	REMARK
A	NEW	2022.02.18	NEW RELEASE
B	---	2024.10.07	修正2D与3D相符



PIN ASSIGNMENT:

PIN NO	A1&B12	A4&B9	A5	B5	A9&B4	A12&B1
SIGNAL NAME	GND	VBUS	CC1	CC2	VBUS	GND
PCB PAD NO.	C1	C2	C3	C4	C5	C6

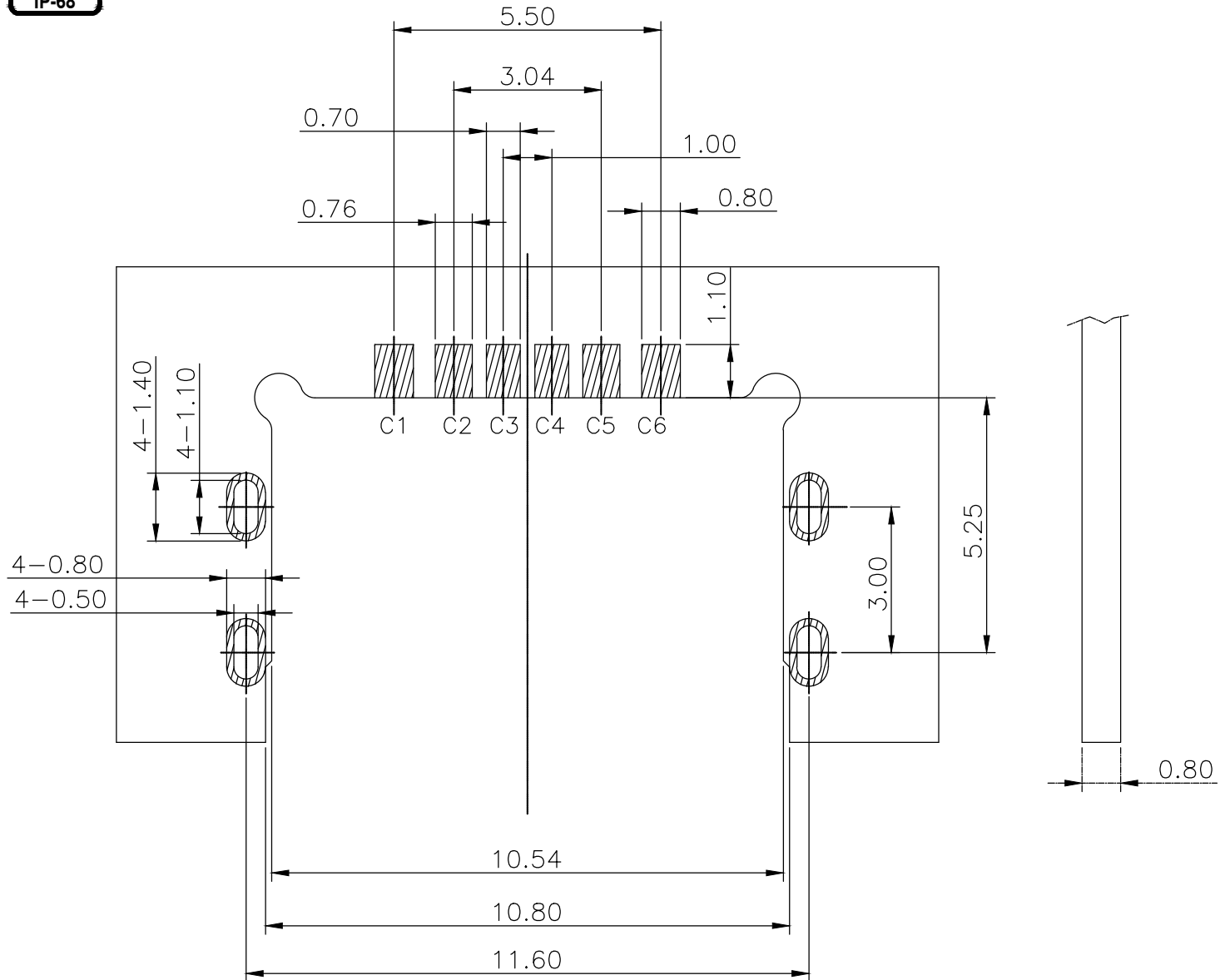
TABLE:

NO.	DESCRIPTION	MATERIAL	REMARKS	QTY
8	胶水	环氧树脂	BLACK	---
7	O-RING	SILICONE RUBBER	BLACK 60A	1PCS
6	OUT SHELL	STAINLESS STEEL SUS304 T=0.30mm	NI30u"MINPlated	1PCS
5	INSIDE SHELL	STAINLESS STEEL SUS304 T=0.20mm	NI30u"MINPlated	1PCS
4	SHIELDING PLATE	STAINLESS STEEL SUS301 T=0.15mm	---	1PCS
3	CONTACT	COPPER ALLOY C2680 T=0.15mm	接触区1u",焊接区雾锡50u"Min	1SET
2	SHELL HOUSING	HIGH TEMPERATURE PLASTIC LCP UL94V-0	BLACK	1PCS
1	HOUSING	HIGH TEMPERATURE PLASTIC LCP UL94V-0	BLACK	1PCS

PART NO.:	SEE THE PART NUMBER CODE	DRAWN BY:	HuangXiaoHao	GOLDCONN TECHNOLOGIES COMPANY LIMITED
GENERAL TOLERANCES		CHECKED BY:	liuzongliang	
x.xxx	± ---	APPROVED BY:	Jacky	TITLE
x.xxx	± 0.10			USB TYPE-C FEMALE 6PIN(两侧无缺口)
x.xx	± 0.25			MID-MOUNT 0.55 CH1.68 WATERPROOF IP68
x.x	± 0.30	THIRD ANGLE PROJECTION		DIMENSIONS
ANGULAR	± 3°			SCALE
				DRAWING
				SHEET NO.
				DWG.NO.



REV	ECN No.	DATE	REMARK
A	NEW	2022.02.18	NEW RELEASE
B	---	2024.10.07	修正2D与3D相符



- NOTES:  
 SPECIFICATION:  
 1. CURRENT RATING: 3.0A MAX.  
 2. VOLTAGE: 100 VAC  
 3. TEMPERATURE RANGE: -30 °C ~ 85 °C  
 4. CONTACT RESISTANCE: 40 MILLIONHM MAX.  
 5. INSULATION RESISTANCE: 100 MEGOHMS MIN.  
 6. LNSERTION FORCE: 5N~20N  
 7. UNMATING FORCE: 8N~20N  
 8. DURABILITY: 10,000 CYCLES  
 9. WATER PROOFNESS:THISPRODUCTIS BASED ON SEE THE PART NUMBER  
 10.IR REFLOW:  
 THE PEAK TEMPERATURE ON THE BOARD SHALL BE MAINTAINED FOR 10 SECONDS AT 260°C.  
 11.SALT SPRAY:24H  
 12.WATERPROOF GRADE: IP68  
 13.With" ▲ " for the key control size  
 14.PART NUMBER CODE:  
 CFW 06 - 018 S L B 01 VR - 02  
 (1)(2)(3)  
 (1) HOUSING COLOR:  
 B:BLACK  
 (2) CONTACTS PLATED:  
 01:半金锡1u"  
 (3) PACKING OPTIONS  
 VR:卷装+真空包装

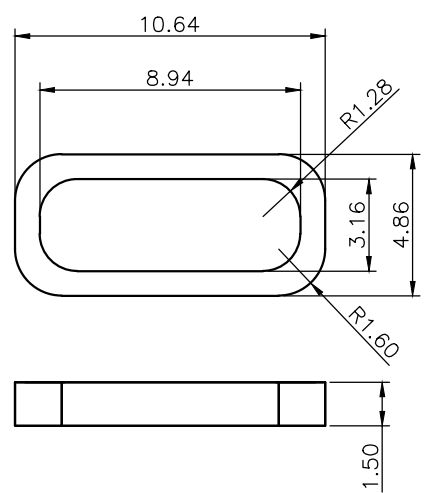
RECOMMENDED P.C.B. LAYOUT  
 TOLERANCE UNSPECIFIED ±0.05mm  
 SCALE:2:1

PART NO.: SEE THE PART NUMBER CODE		DRAWN BY: HuangXiaoHao		GOLDCONN TECHNOLOGIES COMPANY LIMITED	
GENERAL TOLERANCES		CHECKED BY: liuzongliang		TITLE	
x.xxxx	± ---	APPROVED BY: Jacky		USB TYPE-C FEMALE 6PIN(两侧无缺口) MID-MOUNT 0.55 CH1.68 WATERPROOF IP68	
x.xxx	± 0.10	THIRD ANGLE PROJECTION		DIMENSIONS	SCALE
x.xx	± 0.25	mm		1:1	DRAWING
x.x	± 0.30	mm		A4	SHEET NO.
ANGULAR	± 3°	mm		2 OF 3	DWG.NO.
				CFW06-018-02	



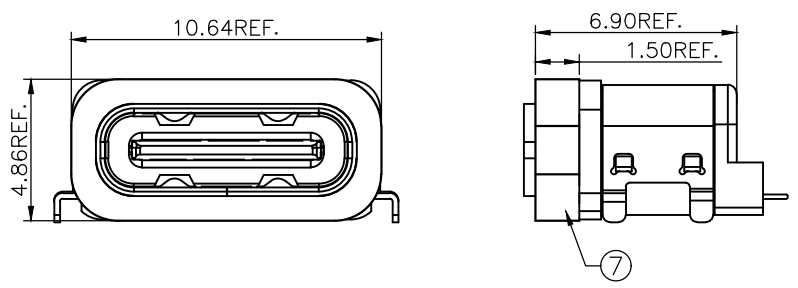
REV	ECN No.	DATE	REMARK
A	NEW	2022.02.18	NEW RELEASE
B	---	2024.10.07	修正2D与3D相符

防水圈尺寸图  
GJ002GBP-02

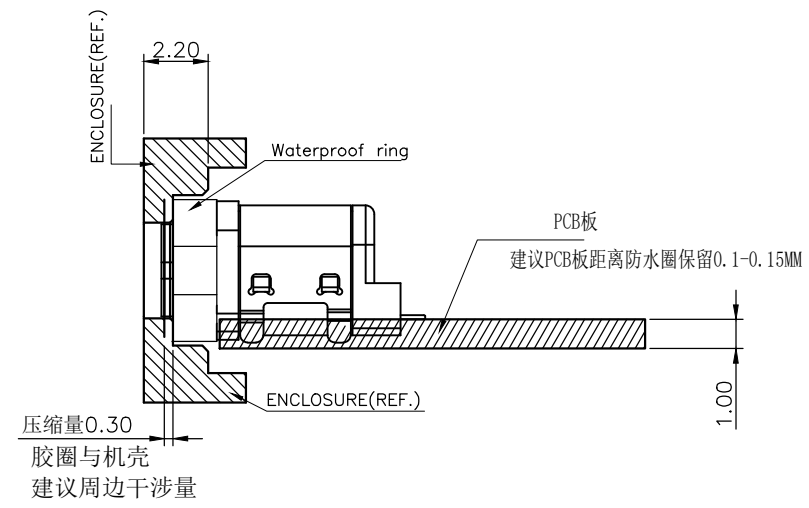
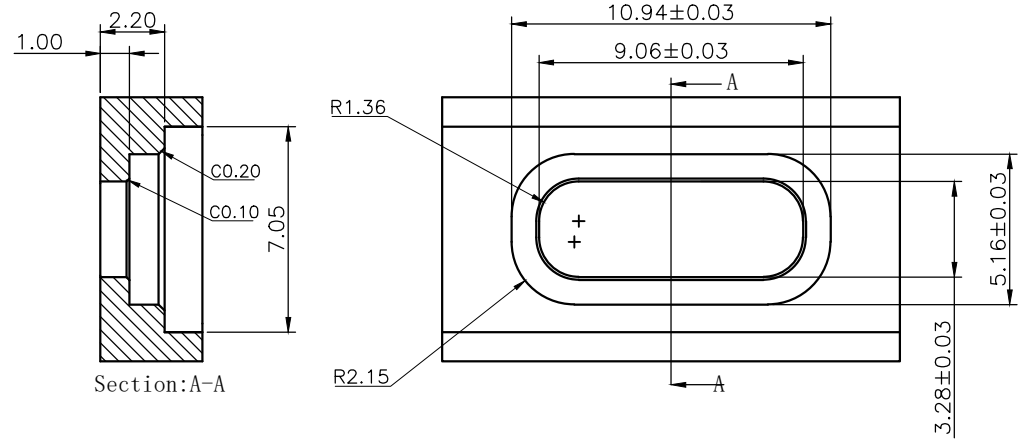


1. 材质: 硅胶
2. 硬度: 60A
3. 颜色: 黑色

防水圈组装示意图



机壳开孔建议尺寸图



RECOMMENDED SCHEMATIC DRAWING  
OF CONNECTOR MATCH CHASSIS

PART NO.: SEE THE PART NUMBER CODE		DRAWN BY: HuangXiaoHao		GOLDCONN TECHNOLOGIES COMPANY LIMITED				
GENERAL TOLERANCES		CHECKED BY: liuzongliang		TITLE				
x.xxxx	± ---	APPROVED BY: Jacky		USB TYPE-C FEMALE 6PIN(两侧无缺口) MID-MOUNT 0.55 CH1.68 WATERPROOF IP68				
x.xxx	± 0.10	THIRD ANGLE PROJECTION		DIMENSIONS	SCALE	DRAWING	SHEET NO.	DWG.NO.
x.xx	± 0.25	mm		1:1	A4	3 OF 3	CFW06-018-02	
x.x	± 0.30							
ANGULAR	± 3°							