

REV	ECN No.	DATE	REMARK
A	NEW	2022.11.23	NEW RELEASE
B	---	2023.10.10	修改防水机壳建议尺寸
C	---	2023.12.04	修正端子料厚描述与实物0.15相符, 0.12=>0.15
D	---	2024.12.12	修改防水圈内圈尺寸与实物相符

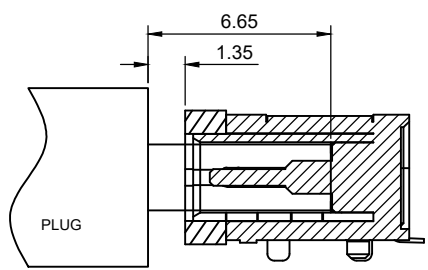
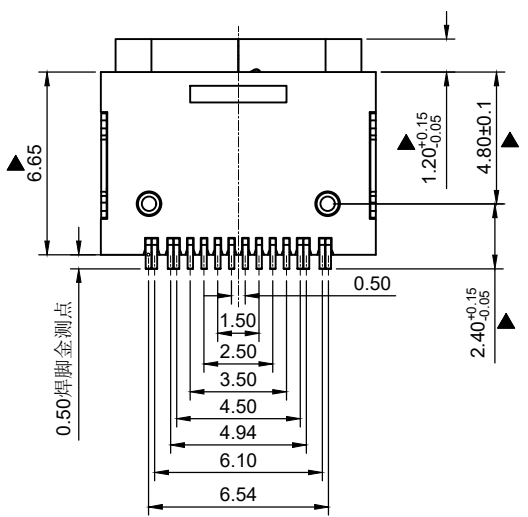
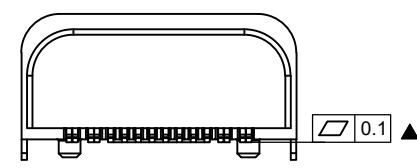
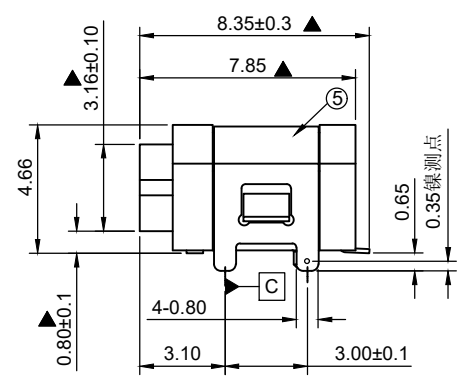
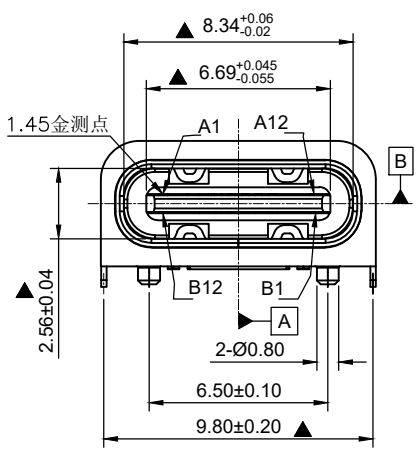
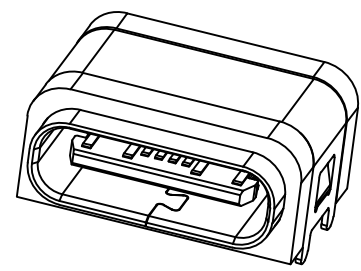
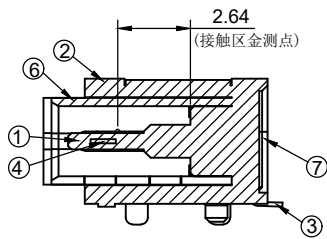
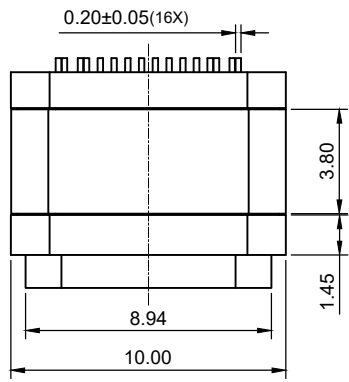
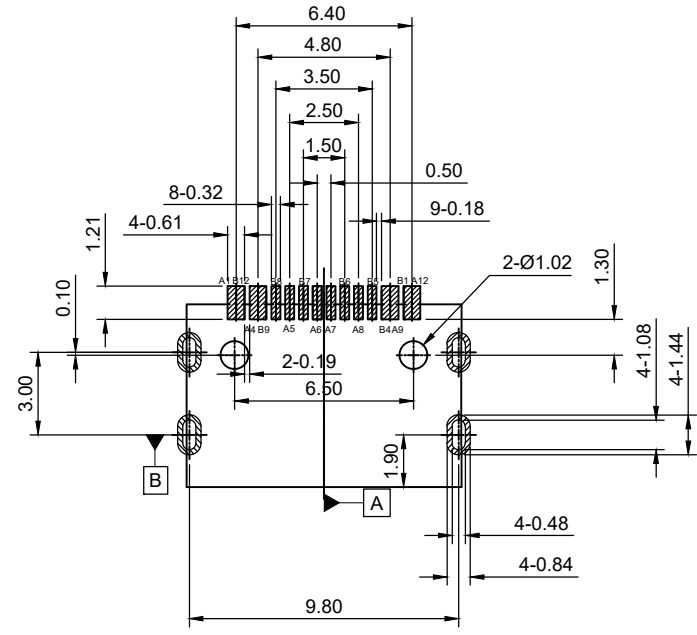


Table:

No.	Description	QTY	Material	Remarks
8	Run-Ring	1PCS	Silica Gel	Black
7	Glue	1PCS	环氧胶	Black
6	Inside Shell	1PCS	Stainless Steel SUS304 T=0.3mm	Ni Plated:40U*Min
5	Out Shell	1PCS	Stainless Steel SUS304 T=0.2mm	Ni Plated:40U*Min
4	Shield Ding Plate	1PCS	Stainless Steel SUS301 T=0.15mm	---
3	Contact	1SET	C7025 T=0.15mm	Au 1u" Plated on Contact Area; Au GF Plated on Solder Area; Nickel 30u"Min Underplating Over All.
2	Shell Housing	1PCS	PA46/PA9T UL94V-0	Black
1	Housing	1PCS	LCP UL94V-0	Black

GENERAL TOLERANCES (UNLESS SPECIFIED)		DRAWN BY: Date: HuangXiaoHao 2024.12.12		GOLDCONN TECHNOLOGIES COMPANY LIMITED	
X.XXX	±0.10	CHECKED BY: Date: liuzongliang 2024.12.12		TITLE	
X.XX	±0.15	APPROVED BY: Date: Jacky 2024.12.12		Type-C Female 16Pin Top-Mount Waterproof IP68 CH=2.38, L7.85,Solder TAB=0.65	
X.X	±0.20	THIRD ANGLE PROJECTION		PART NO. Ordering Information	DWG NO. CFW16-018-22
ANGULAR	±3°	UNT	SCALE 1:1	DRAWING A4	SHEET NO. 1 OF 3
		mm			REV. D

REV	ECN No.	DATE	REMARK
A	NEW	2022.11.23	NEW RELEASE
B	---	2023.10.10	修改防水机壳建议尺寸
C	---	2023.12.04	修正端子料厚描述与实物0.15相符, 0.12=>0.15
D	---	2024.12.12	修改防水圈内圈尺寸与实物相符



Recommended PCB Layout
Tolerance:±0.05mm

- Note:
- Electrical:
 - Current Rating: 5A
 - Voltage Rating: 20V DD/AC (Rms. Max)
 - Initial Contact Resistance :40 mΩ
 - Insulation Resistance: 100MΩ Min
 - Dielectric Withstanding Voltage: 100V AC Min;
 - Mechanical Characteristics:
 - Mating Force: 5~20N
 - Unmating Force: 8~20N(Initial), 6~20N(After 10000 Cycles)
 - Frequency: 10000 Cycles
 - Operating Temperature ;-30℃~85℃.
 - Salt Spray: 24H
 - Waterproof: IP68 1.5M@30Minutes.
 - The Size With "▲" Is The Key Control Size

Ordering Information:

CF W $\frac{16}{1 \ 2}$ - 018 S X B $\frac{11}{3 \ 4 \ 5}$ VR - 22

- Product Type:
 - W: Waterproof
- Pin No.:
 - 16: 16Pin
- Shell Housing:
 - C: PA9T
 - L: PA46
- Housing Color:
 - B: Black
- Contacts Plated:
 - 11: Contact Area: Au 1u", Solder Tails: GF
- Packing Options:
 - VR: Tape & Teel+ Vacuum Packaging

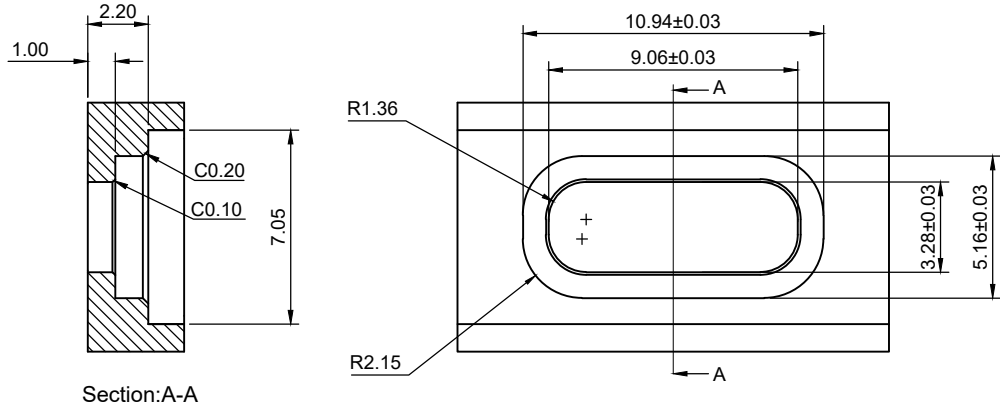
USB Type-C Pin Assignments

Pin Number	Signal Name	Pin Number	Signal Name
A1	GND	B12	GND
---	---	---	---
---	---	---	---
A4	VBUS	B9	VBUS
A5	CC1	B8	SBU2
A6	Dp1	B7	Dn2
A7	Dn1	B6	Dp2
A8	SBU1	B5	CC2
A9	VBUS	B4	VBUS
---	---	---	---
---	---	---	---
A12	GND	B1	GND

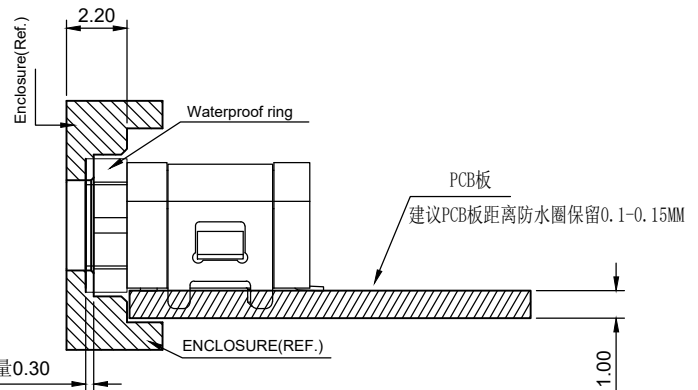
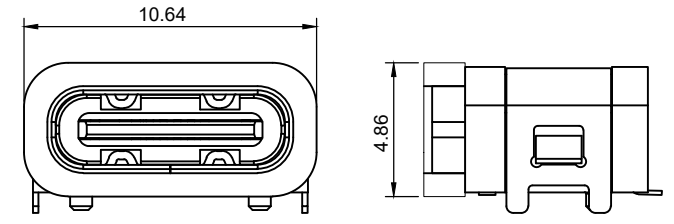
GENERAL TOLERANCES (UNLESS SPECIFIED)		DRAWN BY: HuangXiaoHao Date: 2024.12.12		GOLDCONN TECHNOLOGIES COMPANY LIMITED	
X.XXX	±0.10	CHECKED BY: liuzongliang Date: 2024.12.12		TITLE	
X.XX	±0.25	APPROVED BY: Jacky Date: 2024.12.12		Type-C Female 16Pin Top-Mount Waterproof IP68 CH=2.38, L7.85, Solder TAB=0.65	
X.X	±0.30	THIRD ANGLE PROJECTION		PART NO. Ordering Information	DWG NO. CFW16-018-22
ANGULAR	±3°	UNT mm	SCALE 1:1	DRAWING A4	SHEET NO. 2 OF 3
				REV. D	

REV	ECN No.	DATE	REMARK
A	NEW	2022.11.23	NEW RELEASE
B	---	2023.10.10	修改防水机壳建议尺寸
C	---	2023.12.04	修正端子料厚描述与实物0.15相符, 0.12=>0.15
D	---	2024.12.12	修改防水圈内圈尺寸与实物相符

机壳开孔建议尺寸图 $\triangle B$



组装防水圈示意图

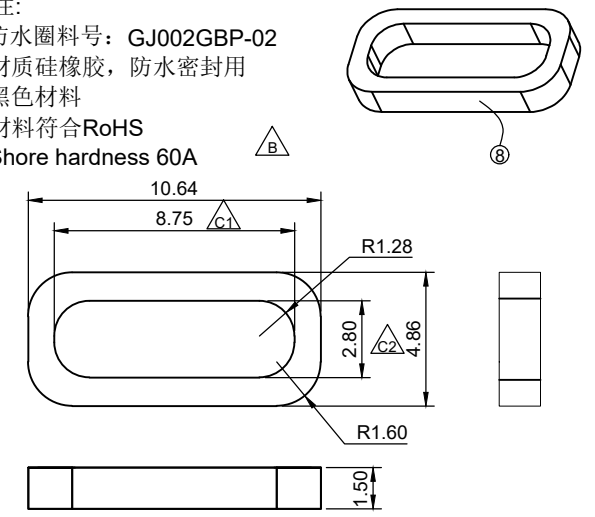


压缩量0.30
胶圈与机壳
建议周边干涉量

Recommended Schematic Drawing
of Connector Match Chassis

O-RING VIEW

- 备注:
 1.防水圈料号: GJ002GBP-02
 2.材质硅橡胶, 防水密封用
 3.黑色材料
 4.材料符合RoHS
 5.Shore hardness 60A



GENERAL TOLERANCES (UNLESS SPECIFIED)		DRAWN BY: Date: HuangXiaoHao 2024.12.12		GOLDCONN TECHNOLOGIES COMPANY LIMITED	
X.XXX	±0.10	CHECKED BY: Date: liuzongliang 2024.12.12		TITLE Type-C Female 16Pin Top-Mount Waterproof IP68 CH=2.38, L7.85,Solder TAB=0.65	
X.XX	±0.25	APPROVED BY: Date: Jacky 2024.12.12		PART NO. Ordering Information	DWG NO. CFW16-018-22
X.X	±0.30	THIRD ANGLE PROJECTION	UNT mm	SCALE 1:1	DRAWING A4
ANGULAR	±3°			SHEET NO. 3 OF 3	REV. D