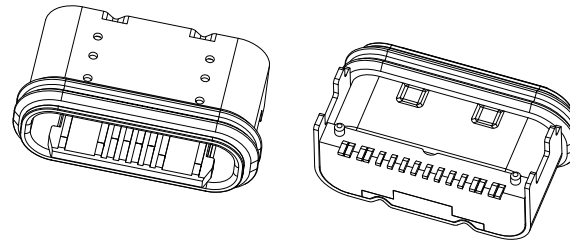
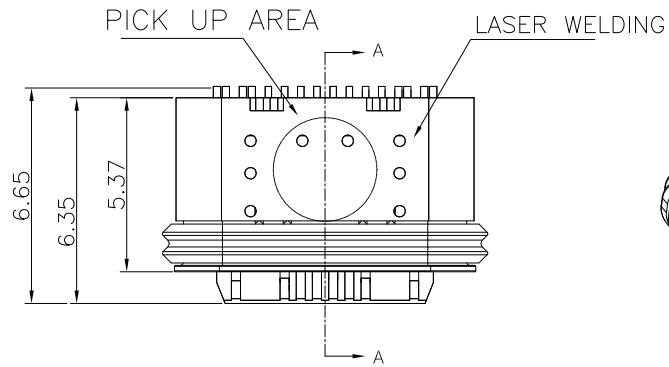


TID No. 11435

REV	ECN No.	DATE	REMARK
A1	NEW	2022.03.28	NEW RELEASE



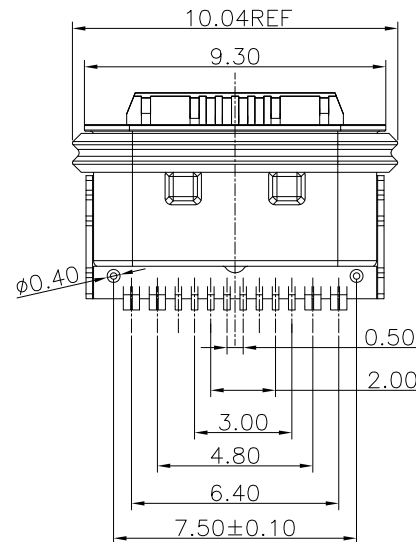
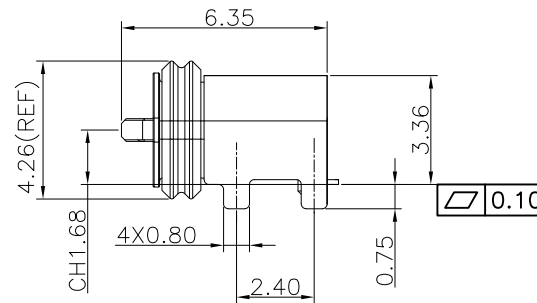
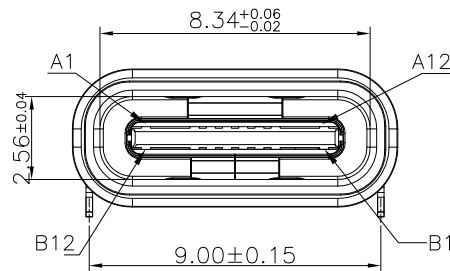
SPECIFICATION:

- CURRENT RATING: 5.0 A
- VOLTAGE RATING: 5.0 V
- VBUS & GND PINS AND OTHER PINS: 40mΩ/PIN MAX
SHIELD: 50mΩ/MAX
LLCR MAX. CHANGE OF ALL PINS: 10Ωm
- INSULATION RESISTANCE: 100MΩ MIN
- DIELECTRIC WITHSTAND VOLTAGE, AC 100V FOR 1MINUTE
- INSERTION FORCE: 0.5~2.0kgf
- UNMATING FORCE: 0.8~2.0kgf
- DURABILITY: 10000 CYCLES
- OPERATING TEMPERATURE: -25°C~+85°C
- THE PEAK TEMPERATURE ON THE BOARD SHALL BE MAINTAINED FOR 10 SECONDS AT 260°C
- WATERPROOF: IPX5

PART NUMBER CODE:

CF W 16 - 041 S L B 11 R - 22
① ② ③ ④ ⑤

- ① PRODUCT TYPE:
W:WATERPROOF
- ② PIN NO.:
16:16Pin
- ③ HOUSING COLOR:
B:BLACK
- ④ CONTACTS PLATED:
11:CONTACT PLATING: AU 1U"
SOLDERING PLATING: G/F
- ⑤ PACKING OPTIONS:
R:TAPE & REEL



PIN DEFINITION:

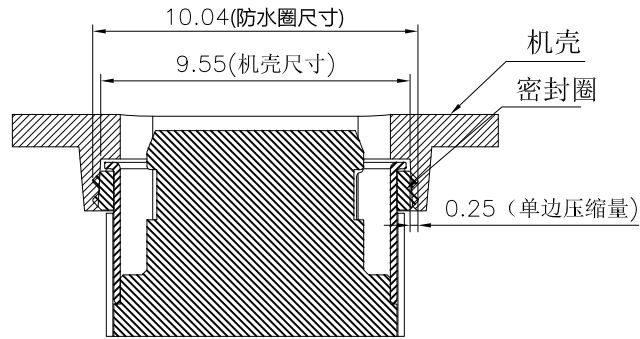
PIN No.	A1			A4	A5	A6	A7	AB	A9			A12
SIGNAL NAME	GND			VBus	CC1	D+	D-	SBU1	VBus			GND
PIN No.	B12			B9	B8	B7	B6	B5	B4			B1
SIGNAL NAME	GND			VBus	SBU2	D-	D+	CC2	VBus			GND

TABLE:

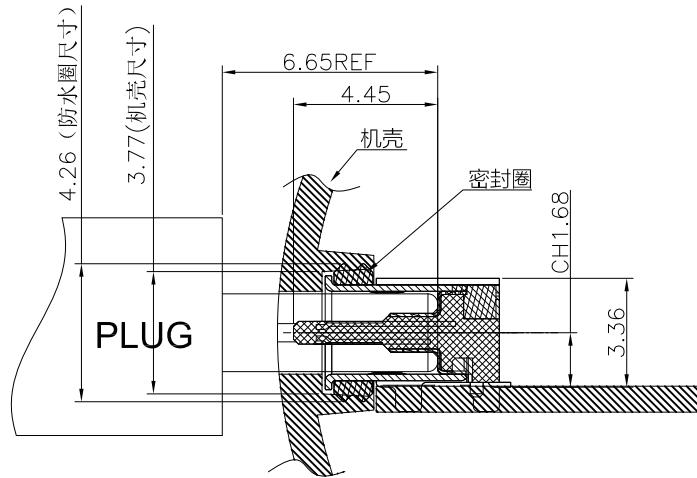
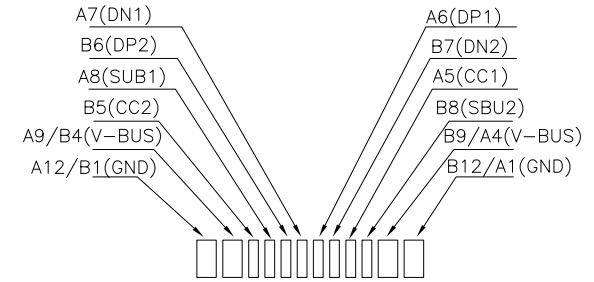
1	INNER Shell	STAINLESS STEEL	SUS316 Ni PLATED 50u"
2	Out shell	STAINLESS STEEL	SUS304 Ni PLATED 50u"
3	MID PLATE	STAINLESS STEEL	SUS304 NO PLATED
4	EMI	STAINLESS STEEL	SUS304 NO PLATED
5	HOUSING	HIGH TEMPERATURE PLASTIC	PA9T BLACK UL 94 V-0
6	CONTACT	COPPER ALLOY(C7025)	Au Plated On Vontact Area GF Plated On Solder Area; Nickel 50u"Min Underplating Over All.
7	WATERPROOF RING	SILICA GEL	/
8	GLUE	SL407	/
NO.	PARTS	MATERIAL	REMARKS

PART NO.: SEE THE PART NUMBER CODE HuangXiaoHao		DRAWN BY: HuangXiaoHao		GOLDCONN TECHNOLOGIES COMPANY LIMITED			
GENERAL TOLERANCES		CHECKED BY: liuzongliang					
x.xxxx	± ---	APPROVED BY: Jacky		USB TYPE-C 16PIN SMT版上防水IPX5 L=5.37			
x.xxx	± 0.10	THIRD ANGLE PROJECTION		DIMENSIONS SCALE DRAWING SHEET NO. DWG.NO.			
x.xx	± 0.15	mm 1:1 A4		1 OF 2 CFW16-041-22			
x.x	± 0.20						
ANGULAR	± 3°						

REV	ECN No.	DATE	REMARK
A	NEW	2022.03.28	NEW RELEASE

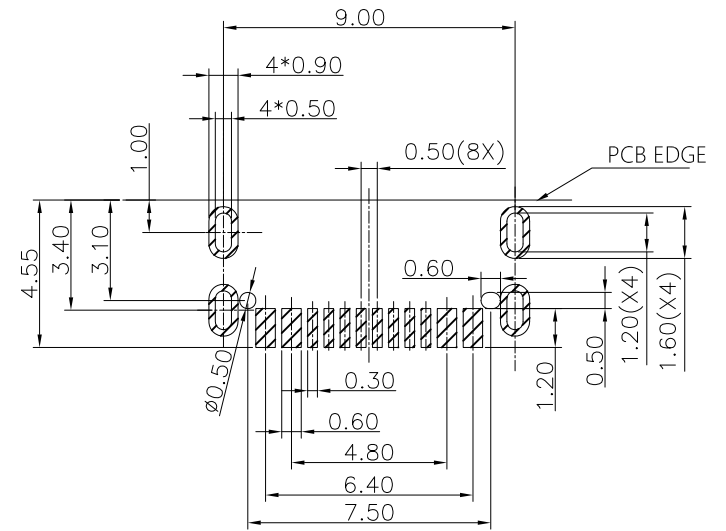


装配示意图



SECTION A-A

装配示意图



PART NO.:		DRAWN BY:		GOLDCONN TECHNOLOGIES COMPANY LIMITED	
SEE THE PART NUMBER CODE		HuangXiaoHao			
GENERAL TOLERANCES		CHECKED BY:		TITLE	
x.xxxx	± ---	liuzongliang		USB TYPE-C 16PIN SMT板上防水IPX5 L=5.37	
x.xxx	± 0.10	APPROVED BY:			
x.xx	± 0.15	Jacky			
x.x	± 0.20	THIRD ANGLE PROJECTION		DIMENSIONS SCALE DRAWING SHEET NO. DWG.NO.	
ANGULAR	± 3°			mm	1:1 A4 2 OF 2 CFW16-041-22