

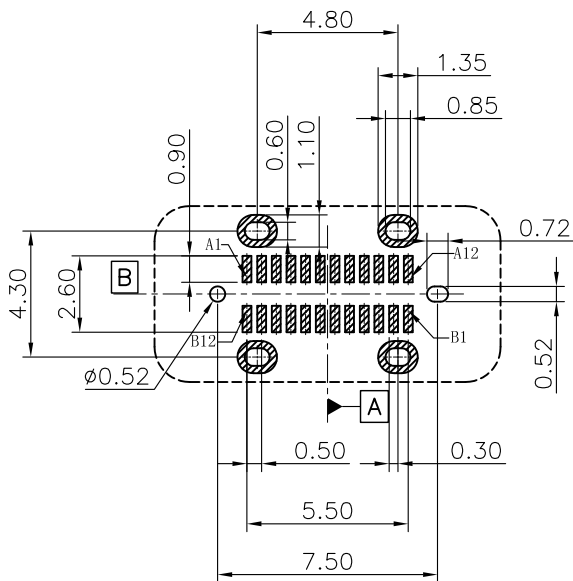
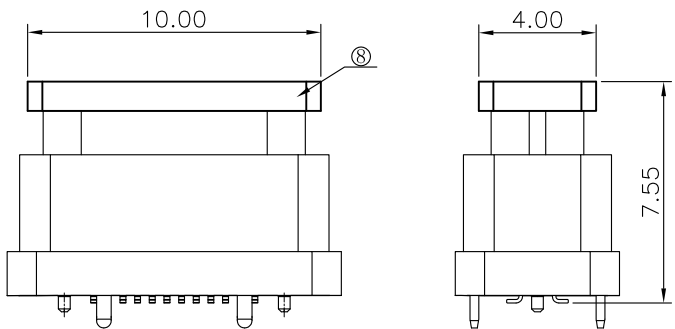
REV	ECN No.	DATE	REMARK
A	NEW	2023.03.13	NEW RELEASE
B	---	2023.06.20	变更新料号WCF24002-02=>CFW24-010-02
C	---	2023.08.01	增加机壳面板尺寸示意图
D	---	2023.12.28	优化产品结构, 改善胶水爬胶不良
E	---	2024.06.12	依客户要求增加部份尺寸公差标注
F	---	2024-08-15	增加两排端子落差0.08mm MAX管控

TABLE:

NO	PART	Q'TY	Material
1	SHELL	1	STAINLESS STEEL 304, NI 30u" MIN PLATED
2	EMI Plate	1	STAINLESS STEEL 301, NI 30u" MIN PLATED
3	Mid Plate	1	STAINLESS STEEL 301, NO PLATED
4	CONTACT	24	COPPER STEEL C18400, CONTACT AREA: Au 3u" Min; SOLDER TAIL: G/F, OVER ALL: 50u" Min NI UNDERPLATED
5	1MD HOUSING	1	LCP BLACK UL94 V-0
6	2MD HOUSING	1	LCP BLACK UL94 V-0
7	PLASTIC SHELL	1	NYLON BLACK UL94 V-0
8	CAP	1	LCP BLACK UL94 V-0
9	GLUE	-	SILICONE

GENERAL TOLERANCES (UNLESS SPECIFIED)		DRAWN BY: HuangXiaoHao		Date: 2024.08.15	
X.XXX	±0.10	CHECKED BY: liuzongliang	Date: 2024.08.15	GOLDCONN TECHNOLOGIES COMPANY LIMITED	
X.XX	±0.20				
X.X	±0.30				
ANGULAR	±3°	APPROVED BY: Jacky	Date: 2024.08.15	TITLE USB TYPE-C RECEPTACLE 24PIN VERTICALH=6.5 WATERPROOF IPX7	
THIRD ANGLE PROJECTION	UNT	SCALE	DRAWING		
	mm	1:1	A4	1 OF 3	CFW24-010-02

CAP尺寸图



RECOMMEND P.C.B LAYOUT (COMPONENT SIDE)
TOLERANCE FOR PCB LAYOUT IS ± 0.05

REV	ECN No.	DATE	REMARK
A	NEW	2023.03.13	NEW RELEASE
B	---	2023.06.20	变更新料号WCF24002-02=>CFW24-010-02
C	---	2023.08.01	增加机壳面板尺寸示意图
D	---	2023.12.28	优化产品结构, 改善胶水爬胶不良
E	---	2024.06.12	依客户要求增加部份尺寸公差标注
F	---	2024-08-15	增加两排端子落差0.08mm MAX管控

NOTE:

1.ELECTRICAL PERFORMANCE,

1-1. CURRENT RATING:5 AMPS. FOR TOTAL VBUS/GND PINS;
1.25AMPS FOR CC PIN,0.25 AMPS. FOR ALL OTHER CONTACT.

1-2. VOLTAGE RATING:20V DC/AC (RMS. MAX)

1-3. LLCR:.

VBUS & GND PINS AND OTHER PINS: 40MΩ/PIN MAX.

SHIELD:50MΩ/MAX.

LLCR MAX. CHANGE OF ALL PINS: 10MΩ.

1-4.INSULATION RESISTANCE: 100MΩ MIN

1-5.DIELECTRIC WITHSTAND VOLTAGE,AC 100V FOR 1 MINUTE.

2.MECHANICAL PERFORMANCE,

2-1.INSERTION FORCE: 5~20N.

2-2.EXTRACTION FORCE: 8~20N.

2-3.DURABILITY: 10000 CYCLES.

3.ENVIRONMENTAL PERFORMANCE:

OPERATING TEMPERATURE: -25°C~+85°C.

4.IR REFLOW:

THE PEAK TEMPERATURE ON THE BOARD SHALL

BE MAINTAINED FOR 10 SECONDS AT 260°C.

5.COMPLIANCE WITH ROHS REQUIREMENTS.

6.WATERPROOF IPX7,1.0M@30MINUTES.

7.SALT SPRAY:48H

PIN DEFINITION:

PIN No.	A1	A2	A3	A4	A5	A6	A7	A8	A9	A10	A11	A12
SIGNAL NAME	GND	TX1+	TX1-	VBUS	CC1	D+	D-	SBU1	VBUS	RX2-	RX2+	GND

PIN No.	B12	B11	B10	B9	B8	B7	B6	B5	B4	B3	B2	B1
SIGNAL NAME	GND	RX1+	RX1-	VBUS	SBU2	D-	D+	CC2	VBUS	TX2-	TX2+	GND

PART NUMBER CODE:

CF W 24 - 010 S C B 12 XX - 02

① ② ③ ④ ⑤

① Product type:
W:WATERPROOF

② Pin No.:
24:24Pin

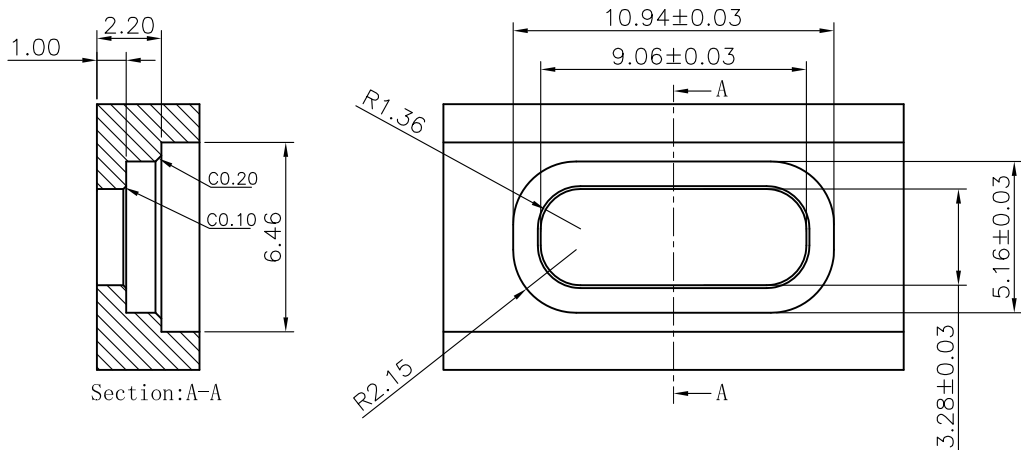
③ HOUSING COLOR:
B:BLACK

④ CONTACTS PLATED:
12:Contact Area: Au 3u"
Solder Tails:GF

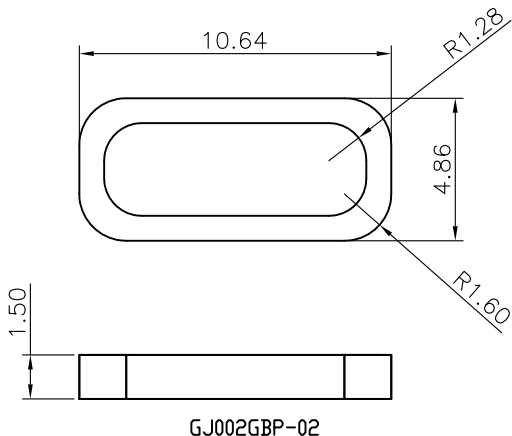
⑤ PACKING OPTIONS
VR:TAPE & REEL+VACUUM PACKAGING

GENERAL TOLERANCES (UNLESS SPECIFIED)	DRAWN BY: HuangXiaoHao	Date: 2024.08.15	GOLDCONN TECHNOLOGIES COMPANY LIMITED		
X.XXX ±0.10	CHECKED BY: liuzongliang	Date: 2024.08.15	TITLE		
X.XX ±0.20	APPROVED BY: Jacky	Date: 2024.08.15	USB TYPE-C RECEPTACLE 24PIN VERTICALH=6.5 WATERPROOF IPX7		
X.X ±0.30	ANGULAR ±3°				
THIRD ANGLE PROJECTION	UNT mm	SCALE 1:1	DRAWING A4	SHEET NO. 2 OF 3	DWG NO. CFW24-010-02

机壳开孔尺寸图
SIZE DRAWING OF OPENING HOLE OF HOUSING



防水圈尺寸图
DIMENSION DIAGRAM OF WATERPROOF RING



备注:

1. 材质: 硅胶黑色无卤, 耐高温270度, 硬度60+/-5 UL94V-2
2. 不可缺胶, 变形, 毛边, 脏污。

NOTES:

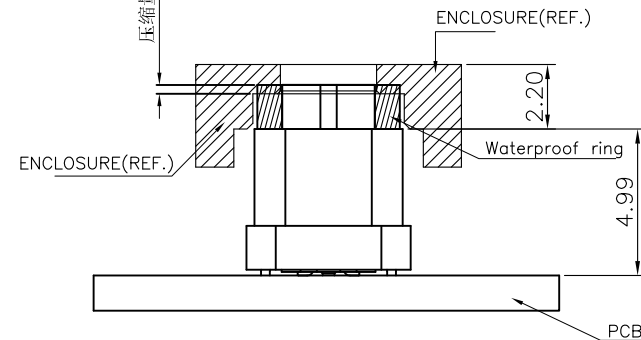
1. MATERIAL: SILICA GEL SI70A BLACK HALOGEN-FREE, HIGH TEMPERATURE RESISTANCE 270 DEGREES, HARDNESS 60 +/-5 UL94V-2
2. INDISPENSABLE GLUE, DEFORMATION, BURRS, DIRT.

REV	ECN No.	DATE	REMARK
A	NEW	2023.03.13	NEW RELEASE
B	---	2023.06.20	变更新料号WCF24002-02=>CFW24-010-02
C	---	2023.08.01	增加机壳面板尺寸示意图
D	---	2023.12.28	优化产品结构, 改善胶水爬胶不良
E	---	2024.06.12	依客户要求增加部份尺寸公差标注
F	---	2024-08-15	增加两排端子落差0.08mm MAX管控

SUGGESTED PERIMETER INTERFERENCE

BETWEEN APRONS AND HOUSING

胶圈与机壳建议周边干涉量



RECOMMENDED SCHEMATIC DRAWING
OF CONNECTOR MATCH CHASSIS

GENERAL TOLERANCES (UNLESS SPECIFIED)		DRAWN BY: HuangXiaoHao		Date: 2024.08.15		GOLDCONN TECHNOLOGIES COMPANY LIMITED	
X.XXX	±0.10	CHECKED BY: liuzongliang		Date: 2024.08.15		TITLE	
X.XX	±0.20	APPROVED BY: Jacky		Date: 2024.08.15		USB TYPE-C RECEPTACLE 24PIN VERTICALH=6.5 WATERPROOF IPX7	
X.X	±0.30	THIRD ANGLE PROJECTION		UNT	SCALE	DRAWING	SHEET NO.
ANGULAR	±3°	mm		1:1	A4	3 OF 3	DWG NO.
							CFW24-010-02