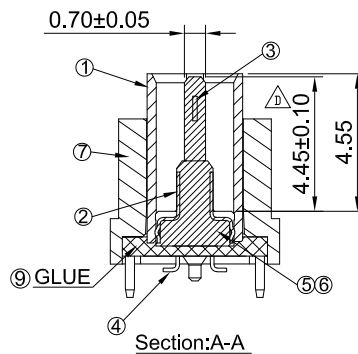
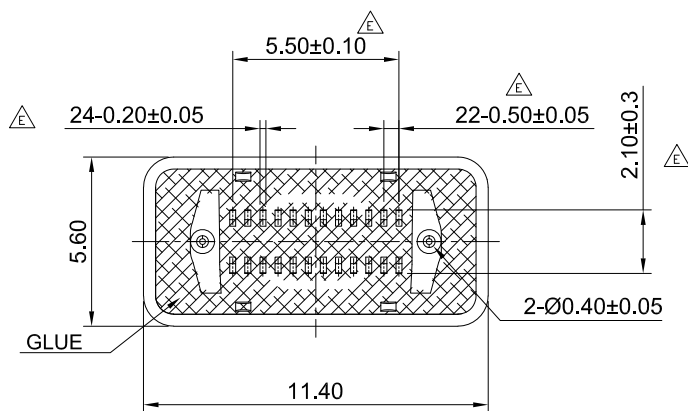


3D VIEW

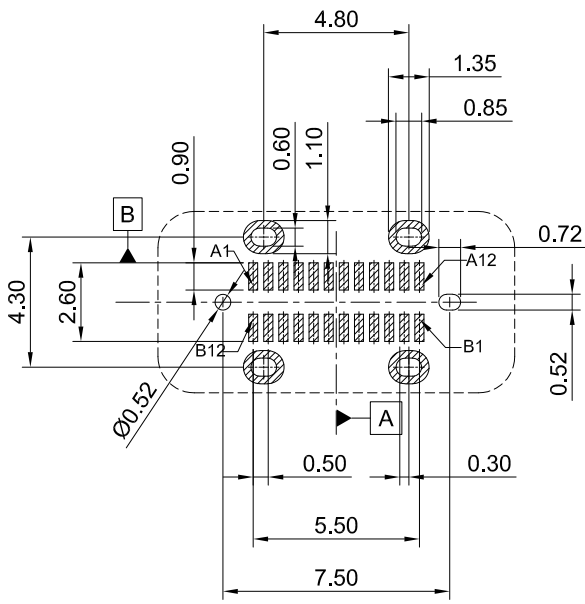


REV	ECN No.	DATE	REMARK
A	NEW	2023.03.13	NEW RELEASE
B	--	2023.06.20	变更新料号WCF24002-02=>CFW24-010-02
C	--	2023.08.01	增加机壳面板尺寸示意图
D	--	2023.12.28	优化产品结构, 改善胶水爬胶不良
E	--	2024.06.12	依客户要求增加部份尺寸公差标注
F	--	2024-08-15	增加两排端子落差0.08mm MAX管控

TABLE:

NO	PART	Q'TY	Material
1	SHELL	1	STAINLESS STEEL 304, NI 30u" MIN PLATED
2	EMI Plate	1	STAINIESS STEEL 301,NI 30u" MIN PLATED
3	Mid Plate	1	STAINIESS STEEL 301, NO PLATED
4	CONTACT	24	COPPER STEEL C18400, CONTACT AREA: Au 3u" Min; SOLDER TAIL: G/F, OVER ALL: 50u" Min Ni UNDERPLATED
5	1MD HOUSING	1	LCP BLACK UL94 V-0
6	2MD HOUSING	1	LCP BLACK UL94 V-0
7	PLASTIC SHELL	1	NYLON BLACK UL94 V-0
8	CAP	1	LCP BLACK UL94 V-0
9	GLUE	-	SILICONE

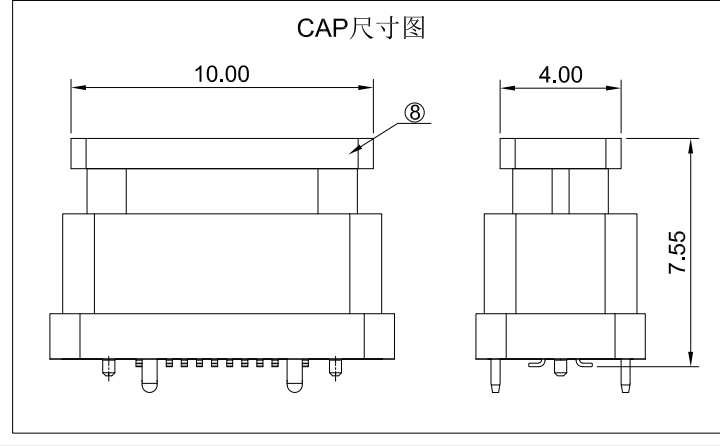
GENERAL TOLERANCES (UNLESS SPECIFIED)		DRAWN BY: Date: HuangXiaoHao 2024-08-15		GOLDCONN TECHNOLOGIES COMPANY LIMITED	
X.XXX	±0.10	CHECKED BY: Date: lluzongllang 2024-08-15		TITLE	
X.XX	±0.20	APPROVED BY: Date: Jacky 2024-08-15		USB TYPE-C RECEPTACLE 24PIN VERTICALH=6.5 WATERPROOF IP68	
X.X	±0.30	THIRD ANGLE PROJECTION		PART NO. Ordering Information	DWG NO. CFW24-010-02
ANGULAR	±3°	UNT mm	SCALE 1:1	DRAWING A4	SHEET NO. 1 OF 3
				REV. F	



RECOMMEND P.C.B LAYOUT (COMPONENT SIDE)
TOLERANCE FOR PCB LAYOUT IS ±0.05

USB Type-C Pin Assignments

Pin Number	Signal Name	Pin Number	Signal Name
A1	GND	B12	GND
A2	SSTXp1	B11	SSRXp1
A3	SSTXn1	B10	SSRXn1
A4	VBUS	B9	VBUS
A5	CC1	B8	SBU2
A6	Dp1	B7	Dn2
A7	Dn1	B6	Dp2
A8	SBU1	B5	CC2
A9	VBUS	B4	VBUS
A10	SSRXn2	B3	SSTXn2
A11	SSRXp2	B2	SSTXp2
A12	GND	B1	GND



REV	ECN No.	DATE	REMARK
A	NEW	2023.03.13	NEW RELEASE
B	--	2023.06.20	变更新料号WCF24002-02=>CFW24-010-02
C	--	2023.08.01	增加机壳面板尺寸示意图
D	--	2023.12.28	优化产品结构, 改善胶水爬胶不良
E	--	2024.06.12	依客户要求增加部份尺寸公差标注
F	--	2024-08-15	增加两排端子落差0.08mm MAX管控

NOTE:

- ELECTRICAL PERFORMANCE,
 - CURRENT RATING:5 AMPS. FOR TOTAL VBUS/GND PINS; 1.25AMPS FOR CC PIN,0.25 AMPS. FOR ALL OTHER CONTACT.
 - VOLTAGE RATING:20V DC/AC (RMS. MAX)
 - LLCR:
 - VBUS & GND PINS AND OTHER PINS: 40mΩ/PIN MAX. SHIELD:50mΩ/MAX.
 - LLCR MAX. CHANGE OF ALL PINS: 10mΩ.
 - INSULATION RESISTANCE: 100MΩ MIN
 - DIELECTRIC WITHSTAND VOLTAGE,AC 100V FOR 1 MINUTE.
- MECHANICAL PERFORMANCE,
 - INSERTION FORCE: 5~20N.
 - EXTRACTION FORCE: 8~20N.
 - DURABILITY: 10000 CYCLES.
- ENVIRONMENTAL PERFORMANCE:
 - OPERATING TEMPERATURE: -25°C~+85°C.
- IR REFLOW:
 - THE PEAK TEMPERATURE ON THE BOARD SHALL BE MAINTAINED FOR 10 SECONDS AT 260°C.
- COMPLIANCE WITH ROHS REQUIREMENTS.
- WATERPROOF IP68,1.5M@30MINUTES.
- SALT SPRAY:48H

TID No.12179
IEC62680-1-3: 24B01N001457-001-COM

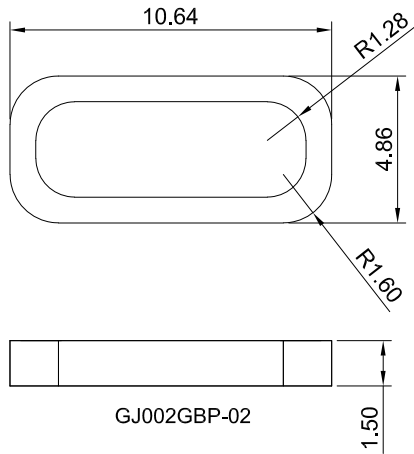
Ordering Information:

CF W 24 - 010 S C B 12 XX - 02
1 2 3 4 5

- Product type:
W:WATERPROOF
- Pin No.:
24:24Pin
- HOUSING COLOR:
B:BLACK
- CONTACTS PLATED:
12>Contact Area: Au 3u"Solder Tails:GF
- PACKING OPTIONS
VR:TAPE & REEL+VACUUM PACKAGING

GENERAL TOLERANCES (UNLESS SPECIFIED)	DRAWN BY: HuangXiaoHao	Date: 2024-08-15	GOLDCONN TECHNOLOGIES COMPANY LIMITED		
X.XXX ±0.10	CHECKED BY: lluzongllang	Date: 2024-08-15	TITLE USB TYPE-C RECEPTACLE 24PIN VERTICALH=6.5 WATERPROOF IP68		
X.XX ±0.20	APPROVED BY: Jacky	Date: 2024-08-15	PART NO. Ordering Information	DWG NO. CFW24-010-02	
X.X ±0.30	THIRD ANGLE PROJECTION	UNT mm	SCALE 1:1	DRAWING A4	SHEET NO. 2 OF 3
ANGULAR ±3°				REV. F	

防水圈尺寸图
DIMENSION DIAGRAM OF WATERPROOF RING

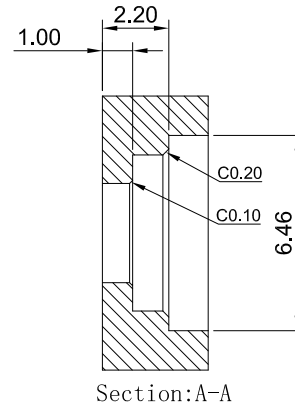


备注:

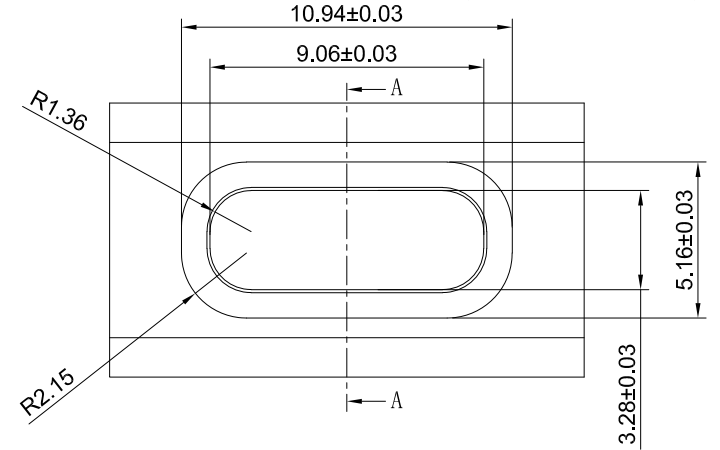
1. 材质: 硅胶黑色无卤, 耐高温270度, 硬度60+/-5 UL94V-2
2. 不可缺胶, 变形, 毛边, 脏污。

NOTES:

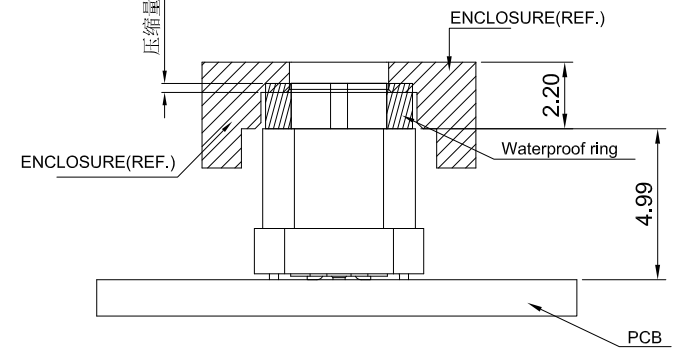
1. MATERIAL: SILICA GEL SI70A BLACK HALOGEN-FREE, HIGH TEMPERATURE RESISTANCE 270 DEGREES, HARDNESS 60 +/-5 UL94V-2
2. INDISPENSABLE GLUE, DEFORMATION, BURRS, DIRT.



机壳开孔尺寸图
SIZE DRAWING OF OPENING HOLE OF HOUSING



SUGGESTED PERIMETER INTERFERENCE BETWEEN APRONS AND HOUSING
胶圈与机壳建议周边干涉量



RECOMMENDED SCHEMATIC DRAWING OF CONNECTOR MATCH CHASSIS

GENERAL TOLERANCES (UNLESS SPECIFIED)		DRAWN BY: Date: HuangXiaoHao 2024-08-15		GOLDCONN TECHNOLOGIES COMPANY LIMITED	
X.XXX	±0.10	CHECKED BY: Date: lluzonglang 2024-08-15		TITLE USB TYPE-C RECEPTACLE 24PIN VERTICALH=6.5 WATERPROOF IP68	
X.XX	±0.20	APPROVED BY: Date: Jacky 2024-08-15		PART NO. Ordering Information	DWG NO. CFW24-010-02
X.X	±0.30	THIRD ANGLE PROJECTION	UNT mm	SCALE 1:1	DRAWING A4
ANGULAR	±3°			SHEET NO. 3 OF 3	REV. F

REV	ECN No.	DATE	REMARK
A	NEW	2023.03.13	NEW RELEASE
B	--	2023.06.20	变更新料号WCF24002-02=>CFW24-010-02
C	--	2023.08.01	增加机壳面板尺寸示意图
D	--	2023.12.28	优化产品结构, 改善胶水爬胶不良
E	--	2024.06.12	依客户要求增加部份尺寸公差标注
F	--	2024-08-15	增加两排端子落差0.08mm MAX管控