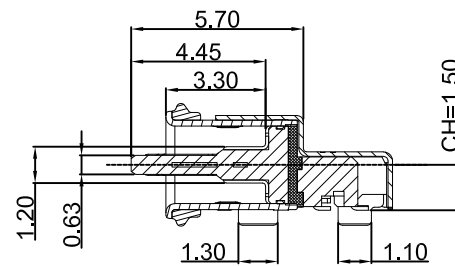
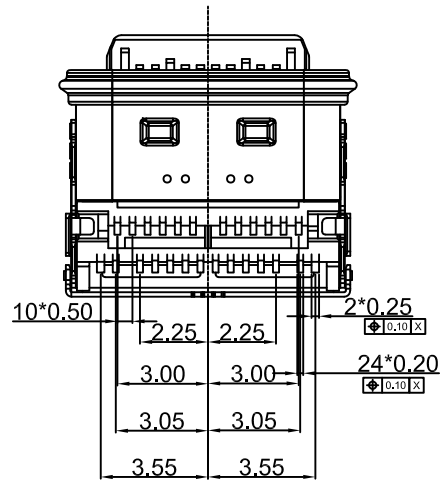
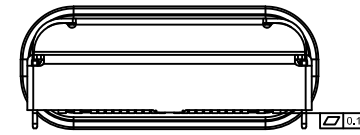
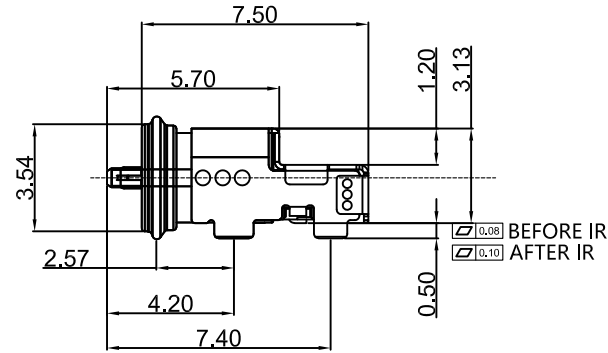
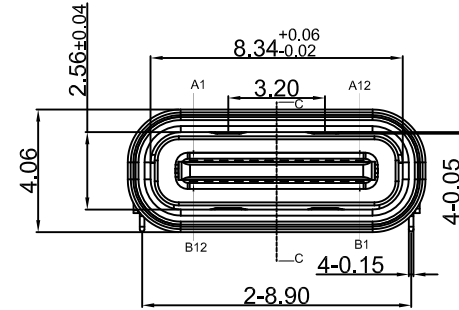
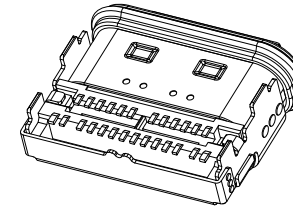
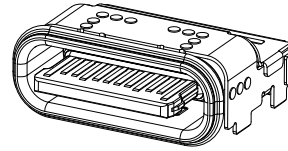
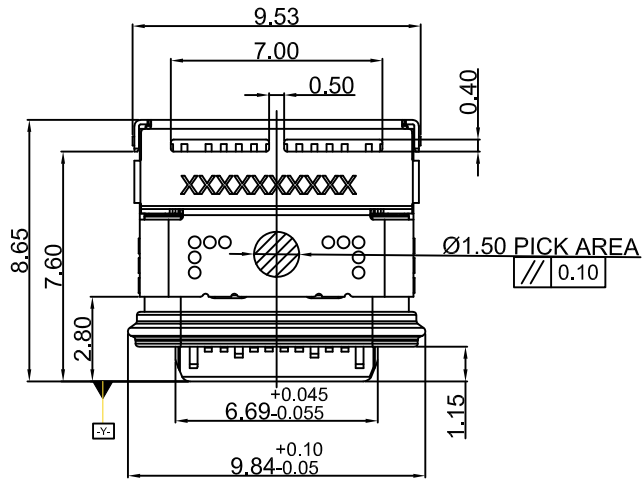


REV	ECN No.	DATE	REMARK
A	NEW	2023.10.20	NEW RELEASE



SECTION C-C (SCALE 1:1)

Table:

NO.	Description	QTY	Material	Remarks
7	LIM	1PCS	CHN-LIMS	BLACK
6	Outor Shell	1PCS	Stainless Steel SUS316	SOLDER NICKEL: NI PLATE
5	Main SHELL	1PCS	Stainless Steel SUS304	NI PLATED OR CLEANING
4	Small SHELL	1PCS	Stainless Steel SUS304	NI PLATED OR CLEANING
3	Contact	24PCS	Copper Alloy C7025	Au Plated On Vontact Area Au Plated On Solder Area; Nickel Under Plating Over All.
2	MID PLATE	1PCS	Stainless Steel SUS301	NI PLATED
1	Housing	1PCS	High Temperature Plastic PA9T	UL94V-0 Black

GENERAL TOLERANCES (UNLESS SPECIFIED)		DRAWN BY: Date: HuangXiaoHao 2023.10.20		GOLDCONN TECHNOLOGIES COMPANY LIMITED	
X.XXX	±0.10	CHECKED BY: Date: lluzongflang 2023.10.20		TITLE USB Type-C Female 24Pin 板上双贴 CH=1.5 IPX8	
X.XX	±0.25	APPROVED BY: Date: Jacky 2023.10.20		PART NO. Ordering Information	
X.X	±0.30			DWG NO. CFW24-017-22	
ANGULAR	±3°	UNT	SCALE	DRAWING	SHEET NO.
		mm	1:1	A4	1 OF 3
				REV.	A

REV	ECN No.	DATE	REMARK
A	NEW	2023.10.20	NEW RELEASE

Specifications:

- Electrical Performance,
  - Current Rating:5 Amps. For Total VBUS/GND Pins;  
0.5Amps For CC Pin,  
0.25 Amps. For All Other Contact.
  - Voltage Rating:5 V DC/AC (Rms. Max)
  - Contact Resistance: 40mΩ Max Initial.  
50mΩ Max After Test
  - Dielectric Withstanding Voltage: 100V AV
  - Insulation Resistance:100mΩ Min
- Mechanical Performance,
  - Insertion Force: 5~20N.
  - Extraction Force: 8~20N.
  - Durability: 10000 Cycles.
- Environmental Performance:
 

Operating Temperature: -25°C~+85°C.
- IR Reflow:
 

The Peak Temperature On The Board Shall Be Maintained For 10 Seconds At 260°C.
- Salt Spray:48H
- TID:13832

Ordering Information:

CF W 24 - 017 S C X XX X - 22  
 1 2 3 4 5

1.Product Type:

W:防水型

2.Pin No.:

24:24Pin

3.Housing Color:

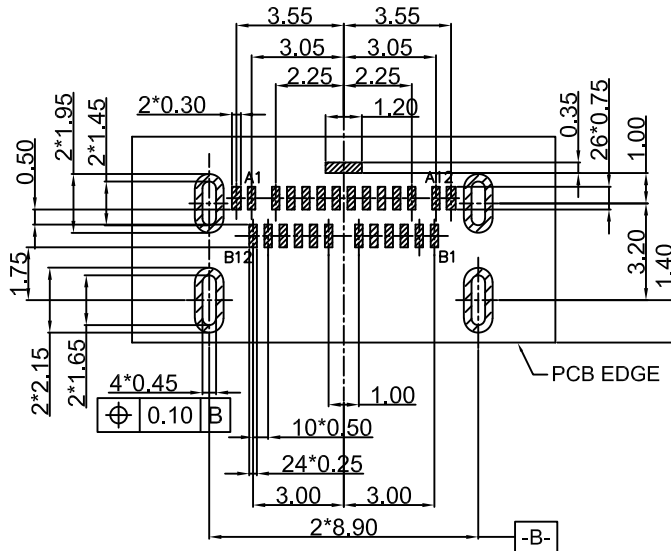
B:Black

4.Contacts Plated:

- 11:Contact Area: Au 1u",Solder Tails:GF  
 12:Contact Area: Au 3u",Solder Tails:Au  
 14:Contact Area: Au 15u",Solder Tails:Au  
 15:Contact Area: Au 30u",Solder Tails:Au

5.Packing Options:

VR:Tape & Teel+Vacuum Packaging



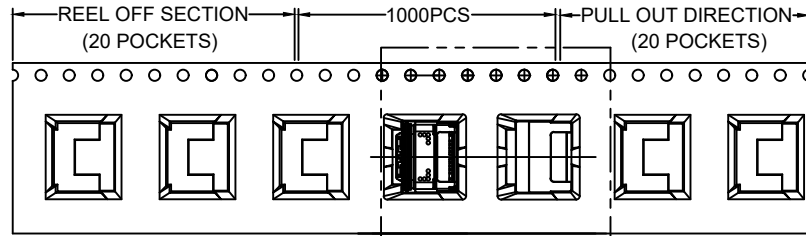
RECOMMENDED PCB LAYOUT  
(Tolerance=±0.05)

USB Type-C Pin Assignments

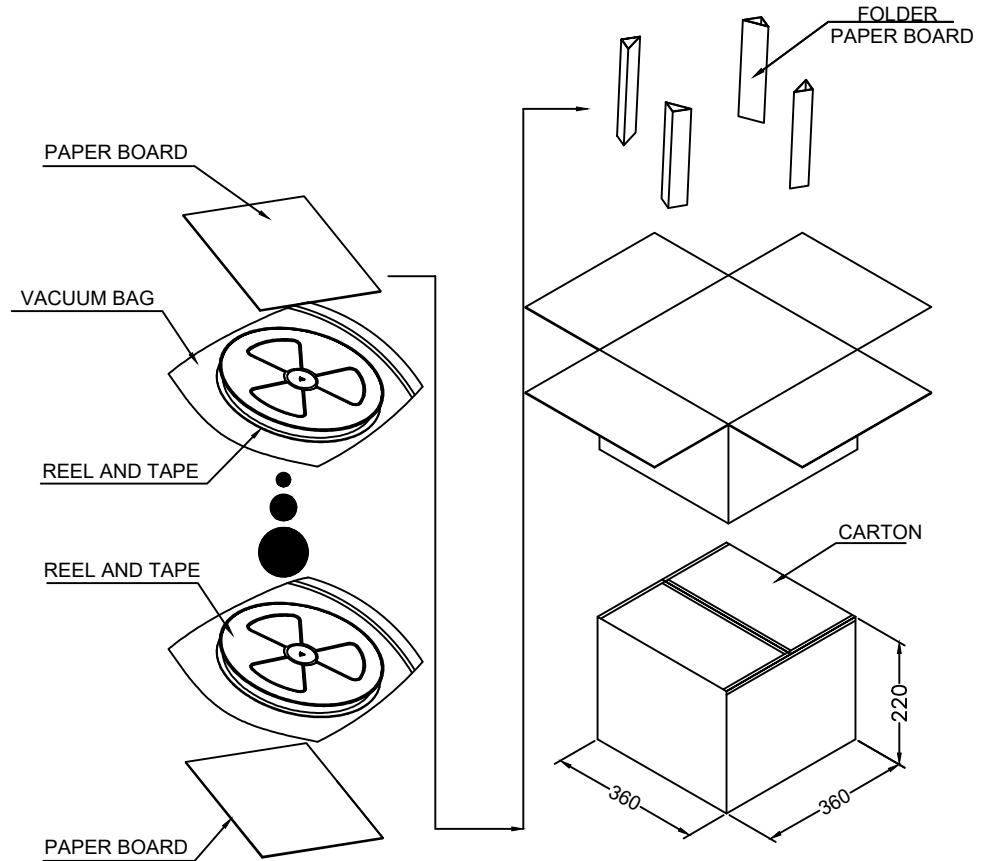
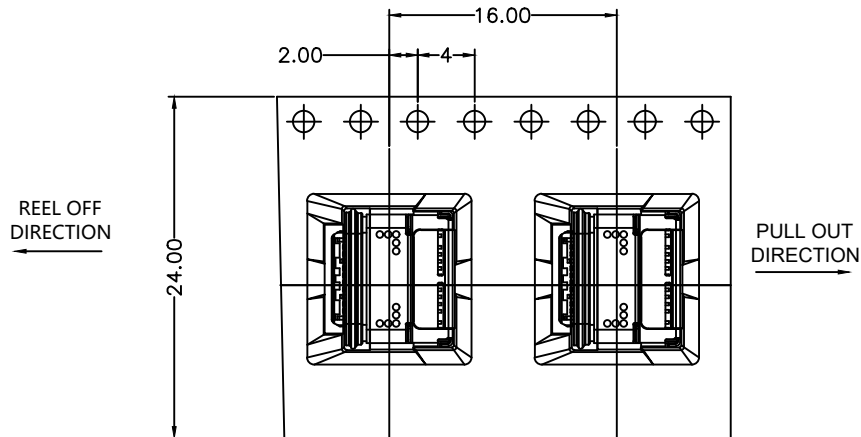
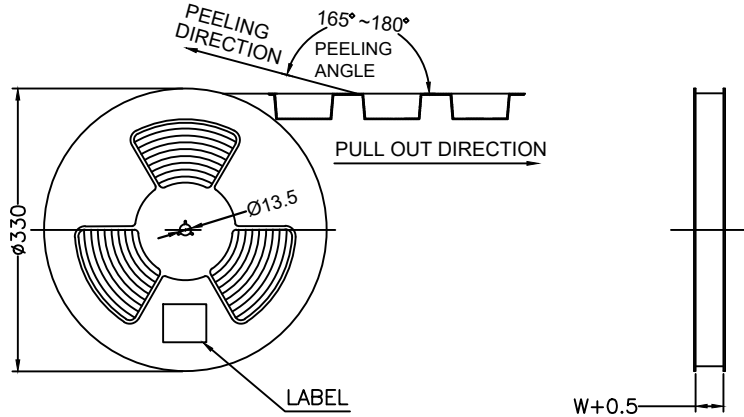
Pin Number	Signal Name	Pin Number	Signal Name
A1	GND	B12	GND
A2	SSTXp1	B11	SSRXp1
A3	SSTXn1	B10	SSRXn1
A4	VBUS	B9	VBUS
A5	CC1	B8	SBU2
A6	Dp1	B7	Dn2
A7	Dn1	B6	Dp2
A8	SBU1	B5	CC2
A9	VBUS	B4	VBUS
A10	SSRXn2	B3	SSTXn2
A11	SSRXp2	B2	SSTXp2
A12	GND	B1	GND

GENERAL TOLERANCES (UNLESS SPECIFIED)		DRAWN BY: Date: HuangXiaoHao 2023.10.20		GOLDCONN TECHNOLOGIES COMPANY LIMITED	
X.XXX	±0.10	CHECKED BY: Date: lluzongllang 2023.10.20		TITLE USB Type-C Female 24Pin 板上双贴 CH=1.5 IPX8	
X.XX	±0.25	APPROVED BY: Date: Jacky 2023.10.20		PART NO. Ordering Information	
X.X	±0.30	THIRD ANGLE PROJECTION		DWG NO. CFW24-017-22	
ANGULAR	±3°	UNT mm	SCALE 1:1	DRAWING A4	SHEET NO. 2 OF 3
				REV. A	

REV	ECN No.	DATE	REMARK
A	NEW	2023.10.20	NEW RELEASE



SEE DETAIL X



	REEL	CARTON
CONNECTOR (PCS)	1000	8000

GENERAL TOLERANCES (UNLESS SPECIFIED)		DRAWN BY: HuangXiaoHao Date: 2023.10.20		GOLDCONN TECHNOLOGIES COMPANY LIMITED	
X.XXX	±0.10	CHECKED BY: liuzongliang Date: 2023.10.20		TITLE: USB Type-C Female 24Pin 板上双贴 CH=1.5 IPX8	
X.XX	±0.25	APPROVED BY: Jacky Date: 2023.10.20		PART NO. Ordering Information	
X.X	±0.30			DWG NO. CFW24-017-22	
ANGULAR	±3°	THIRD ANGLE PROJECTION	UNT mm	SCALE 1:1	DRAWING A4 SHEET NO. 3 OF 3 REV. A