

RoHS Compliant

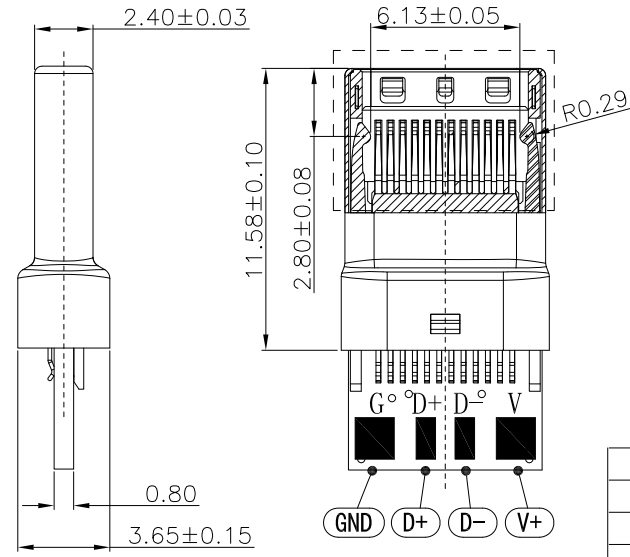
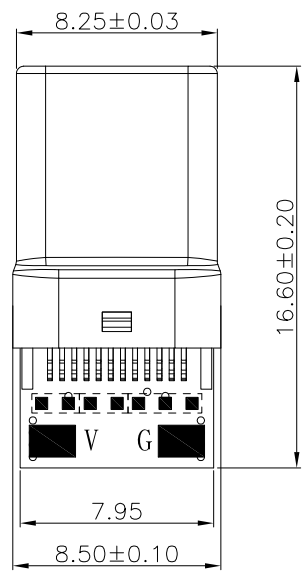
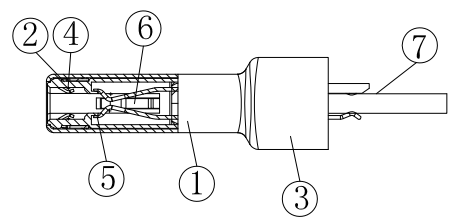
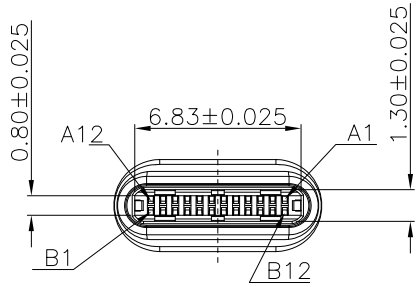
THIS DRAWING CONTAINS INFORMATION THAT IS PROPRIETARY TO ZDT TECHNOLOGY, AND SHOULD NOT BE USED WITHOUT WRITTEN PERMISSION

TID NO. 7685

REV	ECN No.	DATE	REMARK
A	NEW	2020.05.22	NEW RELEASE

备注:
 1.电性参数
 电流: 3.0A Max
 接触电阻: 最初40mΩ Max, 寿命测试后变化±10
 绝缘阻抗: 100MΩ Min
 耐压: 100V AC
 2.机械参数
 插入力: 5-20N MAX.
 拔出力: 8-20N MIN.
 耐久性: 10000 Cycles 500 cycles per hour
 3.沾锡性: 温度250±5°, 时间5±0.5s
 4. PCB双层板
 5. PART NUMBER CODE: (产品料号)

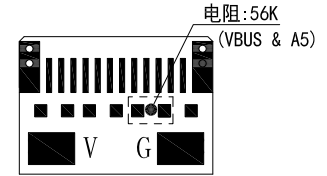
No.	PART NO.	REMARKS	PACKING
1	CM087-24LB02U-02-02	带板2.0,电阻56KLCP黑色半金锡3u"	胶管



No.	NAME	Q'TY	MATERIAL	FINISH
7	PCB	1PCS	FR-4 PCB线路板 绿油 T=0.8mm +电阻	
6	LATCH	1PCS	SUS 301 T=0.4	SPRING卡勾: SUS301;T=0.4, 半雾锡
5	TERMINAL	24PCS	C7025 T=0.15	镍底30-50U, 锡60-100U, 接触点镀金
4	EMI PLATE	2PCS	SUS 304;T=0.10	清洗
3	FRONT SHELL	1PCS	SUS316;T=0.15	外表镀镍50U以上
2	EMI-Molding	2PCS	LCP+30%G.F BLACK UL94-V0	
1	TERMINAL-Molding	2PCS	LCP+30%G.F BLACK UL94-V0	

Type_C 2.0充电数据-56k电阻 线路原理图

PLUG端	PCB焊盘
A1, A12, B1, B12, Shell	GND
A4, A9, B4, B9	VBUS
A5	
A6	Dp1
A7	Dn1



PART NO.: SEE THE PART NUMBER CODE

GOLDCONN TECHNOLOGIES COMPANY LIMITED

DRAWN BY SAM DATE 2020.05.22

QUALITY SYMBOL	GENERAL TOLERANCES (UNLESS SPECIFIED)	
	x.xxxxx	± ---
	x.xxx	± 0.10
	x.xx	± 0.25
	x.x	± 0.30
ANGULAR	± ---°	

TITLE: USB Type C M焊板2.0双层板系列

CHECKED BY JAY DATE 2020.05.22

DWG.No. CM087-24-02 SHEET No. 1 OF 1

APPROVED BY JACKY DATE 2020.05.22

DIMENSION STYLE: MM ONLY DESIGN UNITS: METRIC SCALE: 1:1

THIRD ANGLE PROJECTION