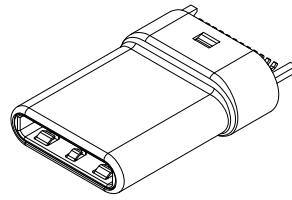
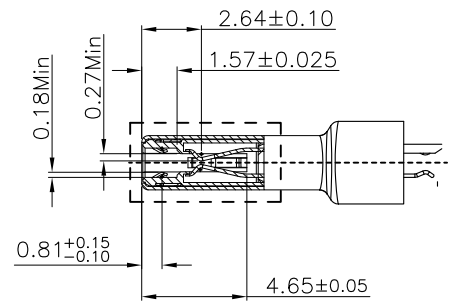
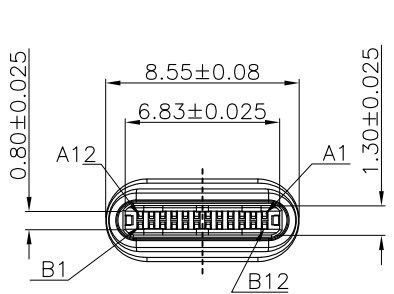


10	9	8	7	6	5	4	3	2	1
TID NO.	IEC62680-1-3								
7685	24B01N001453-001-COM								

REV	ECN No.	DATE	REMARK
A	NEW	2020.05.22	NEW RELEASE
B	---	2023.06.14	增加绿色规格
C	---	2023.12.26	修改厚度3.78与实物3.65相符



NOTES:

1. MECHANICAL: (机械性能)

1.1 MATING FORCE: 5-20N
插入力: 5-20N

1.2 UNMATING FORCE: 8-20N
拔出力: 8-20N

1.3 DURABILITY: 10000 CYCLES
耐久: 10000次

2. ELECTRICAL: (电气性能)

2.1 CONTACT CURRENT RATING: 1.25A/PIN FOR VBUS AND GND, 0.25A/PIN FOR ALL OTHER CONTACT.
电流: 对VBUS和GND为1.25A/PIN, 其它为0.25A/PIN.

2.2 DIELECTRIC WITHSTANDING VOLTAGE: 100V AC AT SEA LEVEL.
耐电压: 100V AC AT SEA LEVEL.

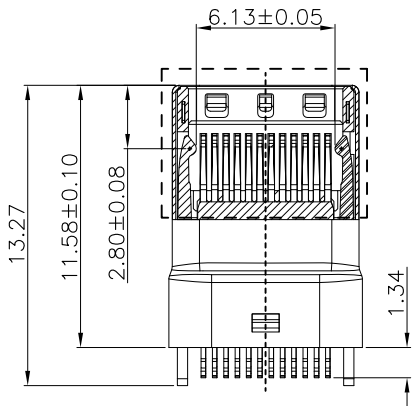
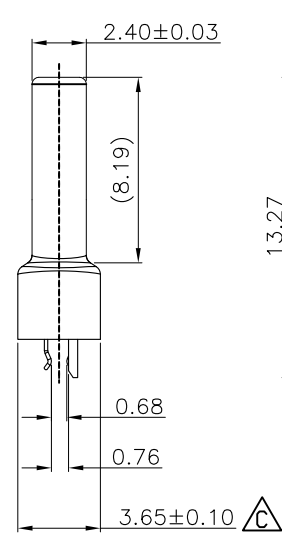
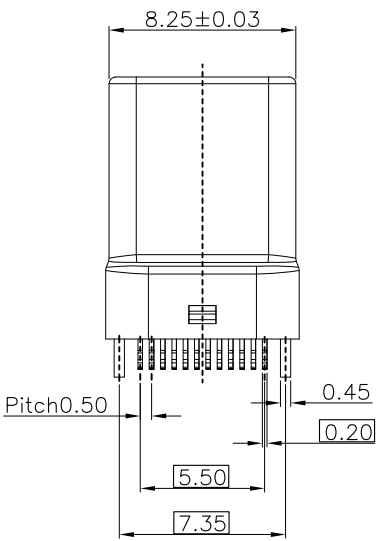
2.3 LOW LEVEL CONTACT RESISTANCE: 40mΩ MAX FOR VBUS AND GND, 50mΩ MAX FOR OTHER CONTACTS.
接触阻抗: VBUS和GND, 40mΩ 最大; 其它为50mΩ.

2.4 INSULATION RESISTANCE: 100MΩ MIN AT 250VDC.
绝缘阻抗: 在电压250VDC, 100MΩ 最小.

2.5. OPERATING TEMPRATUR: -55°~85° E

3. COMPLANARITY OF SMT TERMIANL IS 0.10MAX.
焊接端子平面度最大不超过0.10MM.

4.COMPLIANCE WITH ROHS&HF REQUIREMENTS



PART NUMBER CODE:

NO.	PART NO.	REMARKS	PACKING
1	CM090-24LB01U-02	LCP黑色半金锡1u"	TUBE
2	CM090-24LB02U-02	LCP黑色半金锡3u"	TUBE
3	CM090-24LN02U-02	LCP本色半金锡3u"	TUBE
4	CM090-24LG02U-02	前段LCP绿色(802C), 后段LCP黑色半金锡3u"	TUBE

PLUG PIN DEFINITION:

PIN No.	A12	A11	A10	A9	A8	A7	A6	A5	A4	A3	A2	A1
SIGNAL NAME	GND	RX2+	RX2-	VBUS	SBU1	D-	D+	CC1	VBUS	TX1-	TX1+	GND

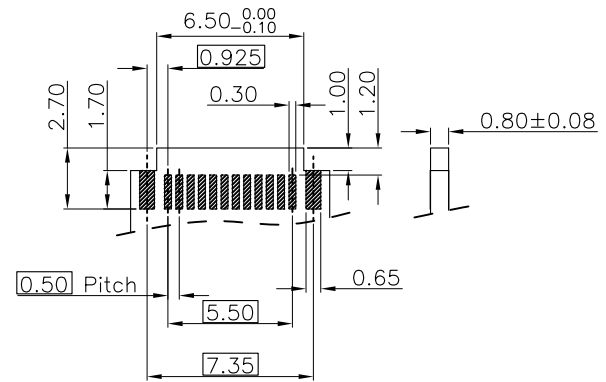
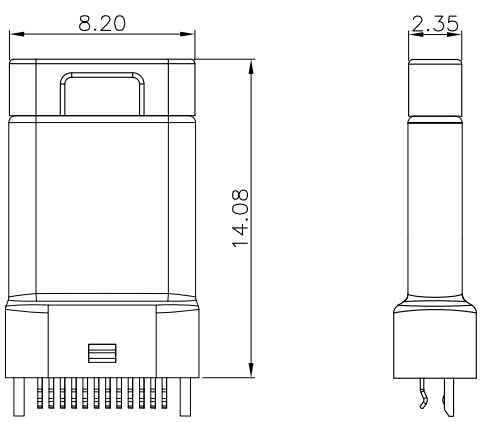
PIN No.	B1	B2	B3	B4	B5	B6	B7	B8	B9	B10	B11	B12
SIGNAL NAME	GND	TX2+	TX2-	VBUS	CC2	D+	D-	SBU2	VBUS	RX1-	RX1+	GND

TABLE:

No.	NAME	Q'TY	MATERIAL	FINISH
7	CAP	1PCS	LCP UL94V-0	BALCK
6	SPRING	1PCS	SUS 301 T=0.4	SPRING卡勾: SUS301;T=0.4, 半剪嘴
5	TERMINAL	24PCS	C7025 T=0.15	锡底50-150U, 锡100-200U, 接触点镀金
4	EMI PLATE	2PCS	SUS 304 T=0.10	清洗
3	FRONT SHELL	1PCS	SUS 316L T=0.15	电镀半光镍, 镀镍50U以上, 盐雾48H
2	EMI-Molding	2PCS	LCP UL94V-0	SEE THE PART NUMBER CODE
1	TERMINAL-Molding	2PCS	LCP UL94V-0	BALCK

PART NO.: SEE THE PART NUMBER CODE		DRAWN BY: HuangXiaoHao		Date: 2024.10.10		GOLDCONN TECHNOLOGIES COMPANY LIMITED				
GENERAL TOLERANCES		CHECKED BY: liuzongliang		Date: 2024.10.10		TITLE				
x.xxxx	± ---	APPROVED BY: Jacky		Date: 2024.10.10		USB TYPE-C M 24Pin WHIT EMI				
x.xxx	± 0.10	THIRD ANGLE PROJECTION		SCALE		DRAWING		SHEET NO.		DWG.NO.
x.xx	± 0.25	ANGULAR		mm		A4		1 OF 1		DW90-24-02
x.x	± 0.30			1:1						
ANGULAR	± 3°									

加塞子尺寸示意图



RECOMMEND P.C.B LAYOUT(TOW VIEW)
TOLERANCE FOR PCB LAYOUT IS ±0.05
PCB THICKNESS:0.80MM